

Martin® N2 Twist Tensioner



Keep the pressure on with this smart and rugged belt cleaner tensioning device from Martin Engineering.

The **Martin® N2 Twist Tensioner** supplies consistent pressure to keep blades against the belt for effective cleaning, regardless of the state of blade wear.

Available for belt widths up to and including 48”.

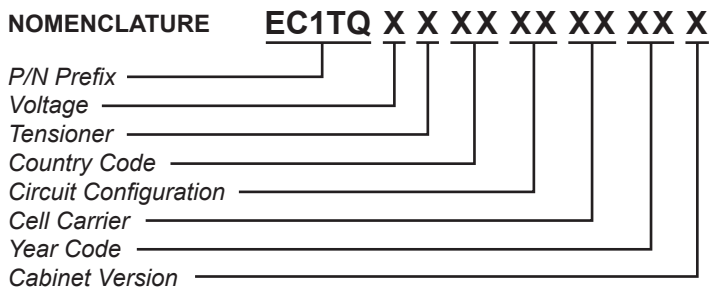
BENEFITS

- **Self-Relieving**
If cleaner blades are “pulled through,” the tensioner’s internal self-relieving coupling rolls over.
- **Guaranteed**
Like all Martin® Products, the Martin® N2 Twist Tensioner is covered by Martin Engineering’s *Absolutely, Positively, No Excuses, Guarantee.*

FEATURES

- Automatically maintains precise cleaning pressure throughout the entire life of the blade without maintenance.
- Alerts when the blade is at the end of its life.
- Serviceable with or without Martin® Smart Device Manager App.
- Rechargeable battery with a six month life.
- Includes 16 feet of conduit and all necessary fittings and cables.

CONTROL PANEL



COUNTRY CODE:
US: United States

CELL CARRIER
VZ: Verizon

VOLTAGE:
1: 12VDC

YEAR CODE
19: 2019

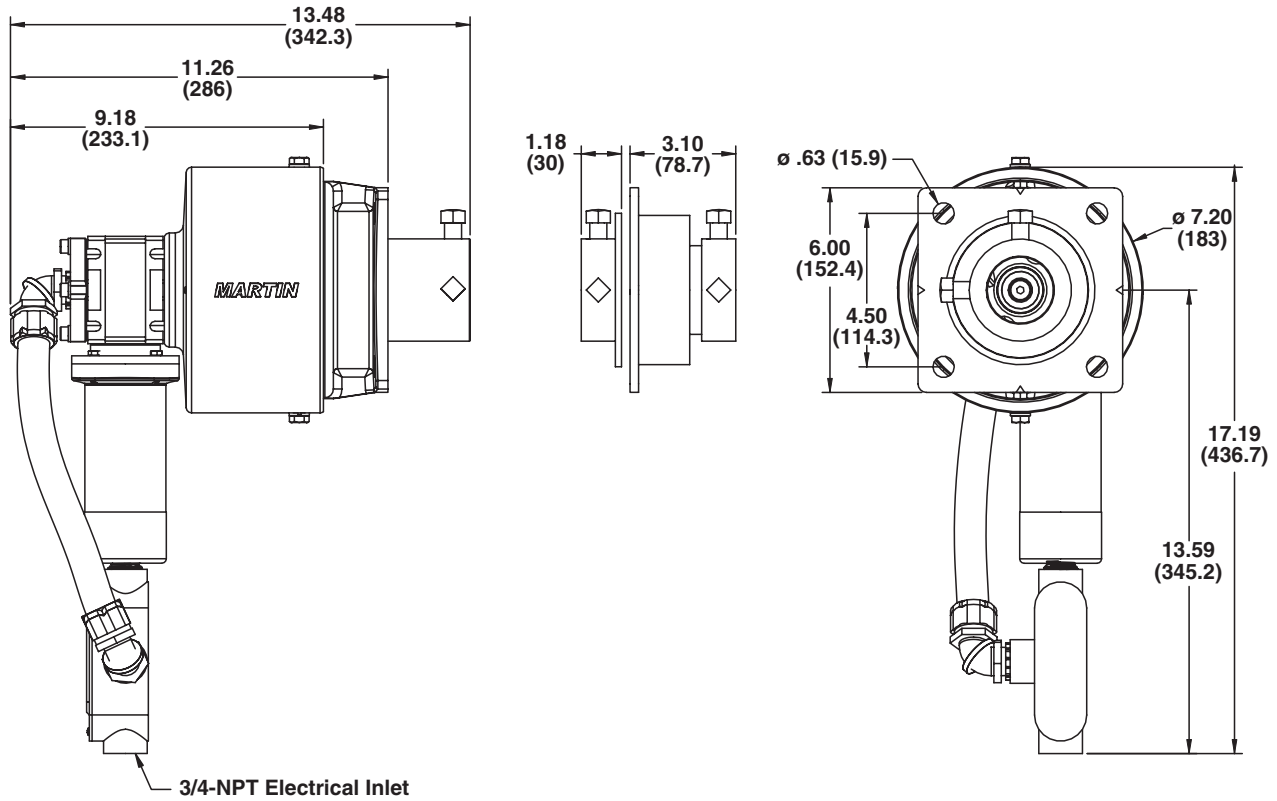
TENSIONER
0: Without tensioner
T: Tensioner

CABINET VERSION
1: Version 1

CIRCUIT CONFIGURATION:
00: Bluetooth

TECHNICAL DATA SHEET

DIMENSIONS



REPLACEMENT PARTS

Description	P/N
9 Volt Battery	EG10006
12 Volt Battery	EG10013

ACCESSORIES

Description	P/N
Control Panel Mount	EC1TQP025
Wall Charger	EG10023



Martin Engineering Australia Pty Ltd.
 102 Christensen Road South
 Stapylton QLD 4207 - Australia
 +61 1300 627 364
salesau@martin-eng.com | www.martin-eng.com.au

