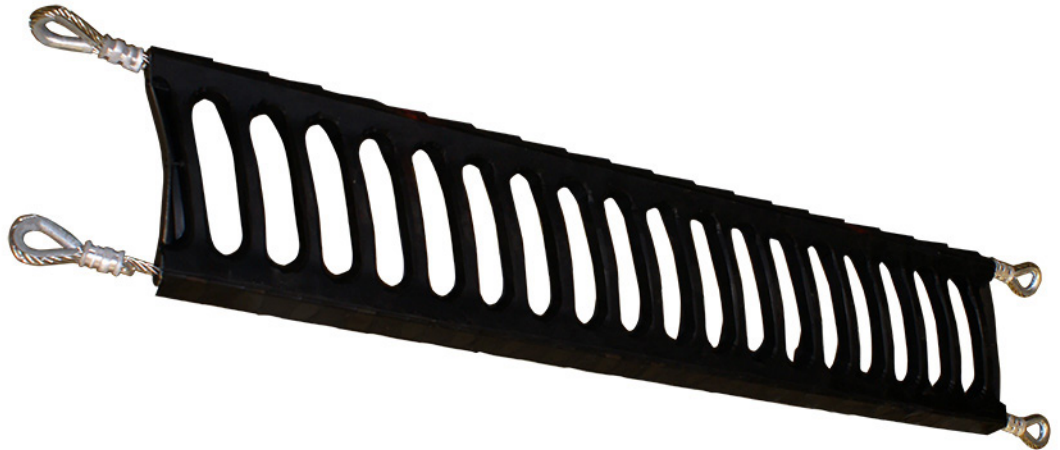


***martin***®

***CleanScrape***®  
***Medium, Large & HD***  
***Cleaners***



***Operator's Manual***  
***M4033***

# Important

MARTIN ENGINEERING HEREBY DISCLAIMS ANY LIABILITY FOR: DAMAGE DUE TO CONTAMINATION OF THE MATERIAL; USER'S FAILURE TO INSPECT, MAINTAIN AND TAKE REASONABLE CARE OF THE EQUIPMENT; INJURIES OR DAMAGE RESULTING FROM USE OR APPLICATION OF THIS PRODUCT CONTRARY TO INSTRUCTIONS AND SPECIFICATIONS CONTAINED HEREIN. MARTIN ENGINEERING'S LIABILITY SHALL BE LIMITED TO REPAIR OR REPLACEMENT OF EQUIPMENT SHOWN TO BE DEFECTIVE.

Observe all safety rules given herein along with owner and Government standards and regulations. Know and understand lockout/tagout procedures as defined by American National Standards Institute (ANSI) z244.1-1982, *American National Standard for Personnel Protection - Lockout/Tagout of Energy Sources - Minimum Safety Requirements* and Occupational Safety and Health Administration (OSHA) Federal Register, Part IV, 29 CFR Part 1910, *Control of Hazardous Energy Source (Lockout/Tagout); Final Rule*.

The following symbols may be used in this manual:



**Danger:** Immediate hazards that will result in severe personal injury or death.



**Warning:** Hazards or unsafe practices that could result in personal injury.



**Caution:** Hazards or unsafe practices that could result in product or property damages.



**Important:** Instructions that must be followed to ensure proper installation/operation of equipment.



**Note:** General statements to assist the reader.

# Table of Contents

---

<b>Section</b>	<b>Page</b>
List of Figures . . . . .	ii
List of Tables . . . . .	ii
Introduction . . . . .	1
General . . . . .	1
Installations without chutework . . . . .	1
Belt cleaner inspection access . . . . .	1
References . . . . .	1
Materials required . . . . .	1
Conveyor requirements . . . . .	2
Safety . . . . .	3
Before Installing Belt Cleaner . . . . .	4
Installing chains . . . . .	9
Installing Belt Cleaner and Tensioners . . . . .	10
Locating belt cleaner . . . . .	10
After Installing Belt Cleaner . . . . .	17
Weekly Maintenance . . . . .	19
Replacing breakaway link . . . . .	20
Troubleshooting . . . . .	21
Part Numbers . . . . .	23
Appendix . . . . .	A-1

## List of Figures

---

<b>Figure</b>	<b>Title</b>	<b>Page</b>
1	Belt Cleaner Mounting Orientation . . . . .	5
2	Typical Belt Cleaner Mounting Positions . . . . .	6
3	Low Product Flow Belt Cleaner Mounting Positions . . . . .	7
4	Installations with Wide Chute Walls . . . . .	8
5	Installing Chains and Breakaway Links . . . . .	9
6	Belt Cleaner Location and Chute Wall Cutouts . . . . .	10
7	Installing Fixed Point Bracket . . . . .	11
8	Installing Tensioners . . . . .	12
9	Positioning Cleaner . . . . .	14
10	Measure Cleaner Angle . . . . .	15
11	Replacing Breakaway Link . . . . .	20
12	CleanScrape® Medium Cleaner, P/N C1CMXRXXXXXX . . . . .	24
13	CleanScrape® Large Cleaner, P/N C1CLXRXXXXXX . . . . .	25
14	CleanScrape® HD Cleaner, P/N C1CHXRXXXXXX . . . . .	26
15	Optional Diverter Arms . . . . .	27
16	Wide Chute Wall Adapter Kit, P/N C1CP30000X . . . . .	28
17	Martin® Conveyor Products Warning Label, P/N 23395 . . . . .	29

## List of Tables

---

<b>Table</b>	<b>Title</b>	<b>Page</b>
I	CleanScrape® Conveyor Requirements . . . . .	2
II	CleanScrape® Cleaner Tensioning Chart . . . . .	16
III	Part Numbers for CleanScrape® Medium Cleaner . . . . .	24
IV	Part Numbers for CleanScrape® Large Cleaner . . . . .	25
V	Part Numbers for CleanScrape® HD Cleaner . . . . .	26
VI	Part Numbers for Wide Chute Wall Adapter Kit . . . . .	28

## ***General***

The CleanScrape<sup>®</sup> is a Pre-Cleaner which is installed diagonally across the discharge pulley and forms a three dimensional curve. The cleaner has a matrix of tungsten carbide scrapers incorporated into the main rubber body during the vulcanization process. It is tensioned against the belt at an extremely low contact pressure. On a dual-cleaner system, a Secondary Cleaner is installed immediately following the Pre-Cleaner to remove stubborn material left on the conveyor belt. If a Pre-Cleaner cannot be used because of space limitations, Secondary Cleaners can be installed alone. Multiple Pre-Cleaners and/or Secondary Cleaners may be required to clean the belt. If the material-handling process or product could be affected by contamination from the use of these belt cleaners, the user is responsible for taking the necessary steps to prevent contamination. Consult Martin Engineering or a representative for alternate belt cleaners or belt cleaner locations to use where contamination may be an issue.

## ***Installations without chutework***

These procedures were written for equipment that is being installed on enclosed pulley chutework. If the pulley is not enclosed, the equipment should be installed using the best available field resources and methods to ensure that the critical dimensions are followed for proper installation.

## ***Belt cleaner inspection access***

If the belt cleaner is installed on enclosed pulley chutework, at least one Martin<sup>®</sup> Inspection Door should be installed. Martin<sup>®</sup> Inspection Doors are available from Martin Engineering or a representative.

## ***References***

The following documents are referenced in this manual:

- American National Standards Institute (ANSI) z244.1-1982, *American National Standard for Personnel Protection - Lockout/Tagout of Energy Sources - Minimum Safety Requirements*, American National Standards Institute, Inc., 1430 Broadway, New York, NY 10018.
- Federal Register, Volume 54, Number 169, Part IV, 29 CFR Part 1910, *Control of Hazardous Energy Source (Lockout/Tagout); Final Rule*, Department of Labor, Occupational Safety and Health Administration (OSHA), 32nd Floor, Room 3244, 230 South Dearborn Street, Chicago, IL 60604.
- *Martin<sup>®</sup> Inspection Door Operator's Manual*, P/N M3891

## ***Materials required***

Installation of this equipment requires the use of standard hand tools, drill, grinder, welder, and cutting torch.

**NOTE**

Prior to installation verify belt width to head pulley size ratio is not greater than 3:1 and that application matches belt conditions listed in table.

**Table I. CleanScrape® Conveyor Requirements**

Size	Head Pulley Diameter		Belt Width	Maximum Belt Speed	
	Min.	Max.		Vulcanized Splice	Mechanical Splice
<b>Medium</b>	550 mm (22 in.)	900 mm (34 in.)	450–1800 mm (18–72 in.)	8.0 m/s (1500 Ft/Min)	4 m/s (800 Ft/Min)
<b>Large</b>	900 mm (36 in.)	1250 mm (50 in.)	900–2500 mm (36–96 in.)	8.0 m/s (1500 Ft/Min)	4 m/s (800 Ft/Min)
<b>HD</b>	800 mm (32 in.)	2000 mm (78 in.)	1000–3000 mm (42–120 in.)	8.0 m/s (1500 Ft/Min)	6 m/s (1200 Ft/Min)

Safety

All safety rules defined in the above documents and all owner/employer safety rules must be strictly followed when working on the belt cleaner.



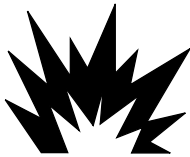
**⚠ DANGER**

Do not touch or go near the conveyor belt or conveyor accessories when the belt is running. Your body or clothing can get caught and you can be pulled into the conveyor, resulting in severe injury or death.



**⚠ DANGER**

Before installing, servicing, or adjusting the belt cleaner, turn off and lockout / tagout / blockout / testout all energy sources to the conveyor and conveyor accessories according to ANSI standards or country specific safety standards (DIN, ISO, etc.). Failure to do so could result in serious injury or death.



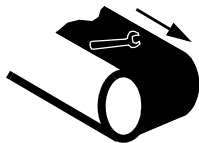
**⚠ DANGER**

If this equipment will be installed in an enclosed area, test the gas level or dust content before using a cutting torch or welding. Using a torch or welding in an area with gas or dust may cause an explosion resulting in serious injury or death. Follow local and customer confined space procedures.



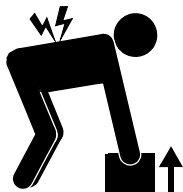
**⚠ WARNING**

Before using a cutting torch or welding the chute wall, cover the conveyor belt with a fire retardant cover. Failure to do so can allow the belt to catch fire. Follow local and customer fire watch procedures.



**⚠ WARNING**

Remove all tools from the installation area and conveyor belt before turning on the conveyor. Failure to do so can cause serious injury to personnel or damage to the belt and conveyor.



**⚠ WARNING**

Cleaner can be heavy and may require two people to lift. Attempting to lift the belt cleaner without assistance could result in injury.

# Before Installing Belt Cleaner

## IMPORTANT

The delivery service is responsible for damage occurring in transit. Martin Engineering CANNOT enter claims for damages. Contact your transportation agent for more information.

1. Inspect shipping container for damage. Report damage to delivery service immediately and fill out delivery service's claim form. Keep any damaged goods subject to examination.
2. Remove belt cleaner assembly from shipping container.
3. If anything is missing contact Martin Engineering or a representative.



## ⚠ DANGER

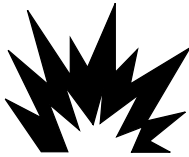
Before installing, servicing, or adjusting the belt cleaner, turn off and lockout / tagout / blockout / testout all energy sources to the conveyor and conveyor accessories according to ANSI standards or country specific safety standards (DIN, ISO, etc.). Failure to do so could result in serious injury or death.

4. Turn off and lockout / tagout / blockout / testout energy source according to ANSI standards or country specific safety standards (DIN, ISO, etc.) (see "References").

## ⚠ DANGER

If this equipment will be installed in an enclosed area, test the gas level or dust content before using a cutting torch or welding. Using a torch or welding in an area with gas or dust may cause an explosion resulting in serious injury or death. Follow local confined space procedures.

5. If using a cutting torch or welding, test atmosphere for gas level or dust content. Cover conveyor belt with fire retardant cover. Follow local fire watch procedures.



## ⚠ CAUTION

Ensure conveyor chute remains unplugged. A plugged conveyor chute may cause cleaner to damage belt.

## NOTE

The chute wall that the tensioner will be located on is referred to as the "operator side." The other side of the chute is referred to as the "far side."

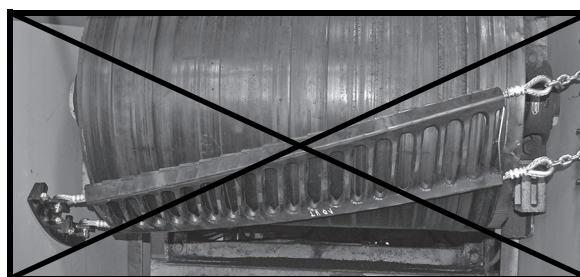
## NOTE

The installation instructions in this manual are the preferred methods for the most common installations. Contact Martin Engineering for alternative installation options.





Correct Mounting Position



Incorrect Mounting Position

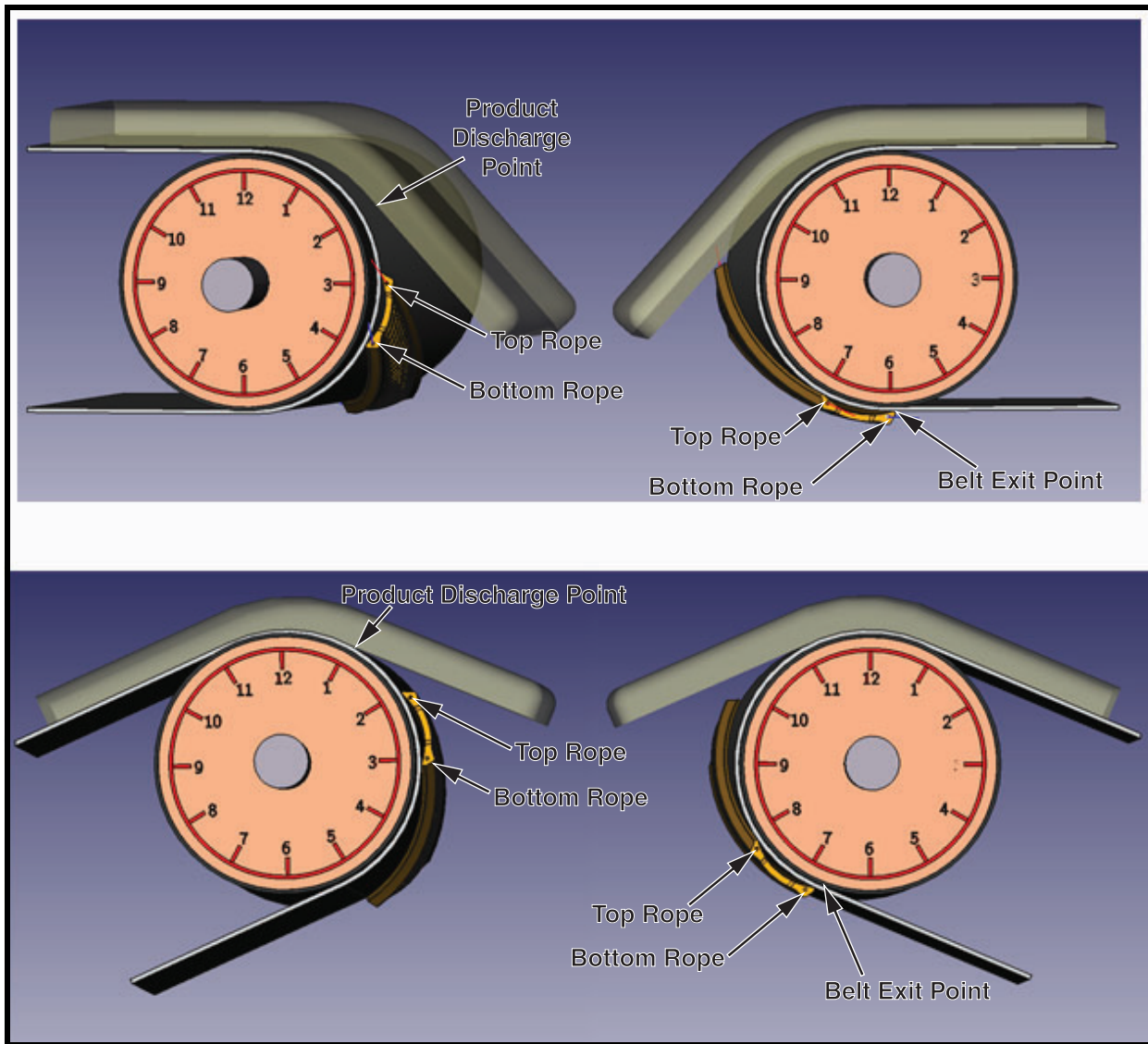
Figure 1. Belt Cleaner Mounting Orientation

### IMPORTANT

The CleanScrape<sup>®</sup> carbide scrapers are molded into the rubber body of the cleaner at a slight angle creating a serrated cleaning edge. For effective cleaning, the cleaner can only be mounted in orientation shown.

6. Inspect belt cleaner mounting area for possible obstructions that could interfere with proper mounting. Refer to following guidelines:
  - a. Ensure cleaner does not lie in path of material unloading from conveyor belt.
  - b. The top side of cleaner should be no less than the 2 o'clock position. Material could strike the back of the cleaner causing wear which will lead to premature failure.
  - c. The ideal installation angle is 17°–18°. Installation angles of 15°–21° are acceptable. Higher angles are normally utilized in cleaning material that tends to adhere to the belt, these higher angles lead to increased wear on the blade.
  - d. Belt width must not exceed a ratio of 3:1 to the head pulley diameter. For example, the maximum belt width for a conveyor with a 600 mm (24 in.) head pulley is 1800 mm (72 in.).
  - e. Chute walls must be strong enough to not flex as tension is applied to cleaner. If chute wall flexes inadequate tension may be applied to cleaner resulting in poor cleaning performance. Additional chute wall structure support may be added to prevent chute wall from flexing.
  - f. The distance between the cleaner and the chute wall should be minimized. Martin Engineering recommends keeping the distance to 125mm (5 in.) maximum per side (see Figure 4). Excess chain or cable could result in vibration that could damage the belt or the cleaner. If necessary, build a sub-wall to support the tensioners in the proper position. Consult Martin Engineering for installation assistance if parameters fall outside of this range.

- g. For typical installations, start with the bottom rope in the 6 o'clock position and the top rope in the 3 o'clock position. The exact positioning of the top rope is a result of the installation angle.
  - h. For belts with low product flow, lower the top rope until cleaner is out of material path. Cleaner angle must be 15° or greater.
7. Lack of service can contribute to poor belt cleaning performance. Follow local guidelines for access:
- (1) Clearance for service outside the chute must be at least equal to the belt width.
  - (2) Cleaners must have service platforms. Cleaners should be mounted at least 600 mm (24 in.) above the work platform.
  - (3) If the belt width is 1400 mm (54 in.) or larger consider access doors on both sides of the chute.



**Figure 2. Typical Belt Cleaner Mounting Positions**

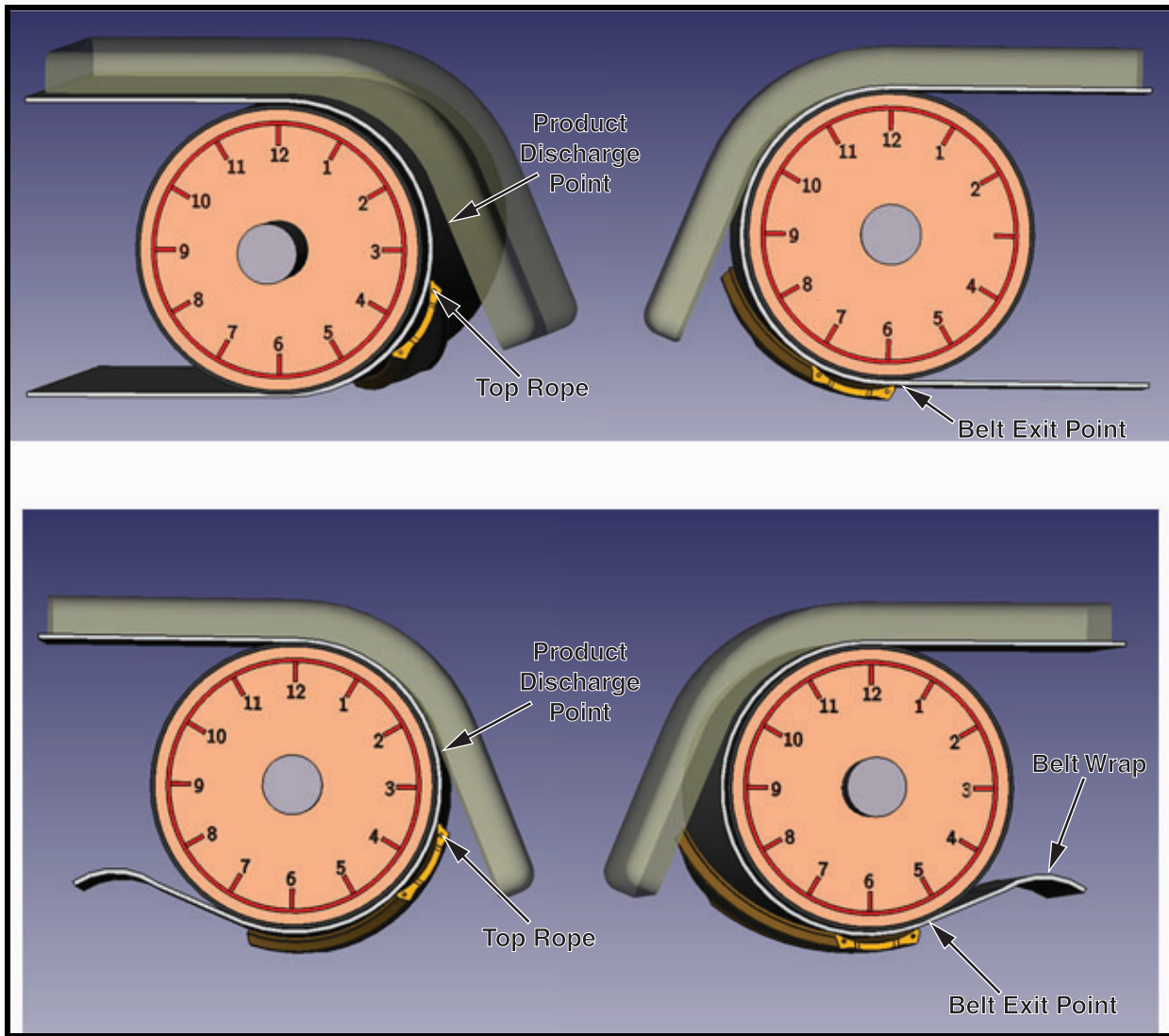


Figure 3. Low Product Flow Belt Cleaner Mounting Positions

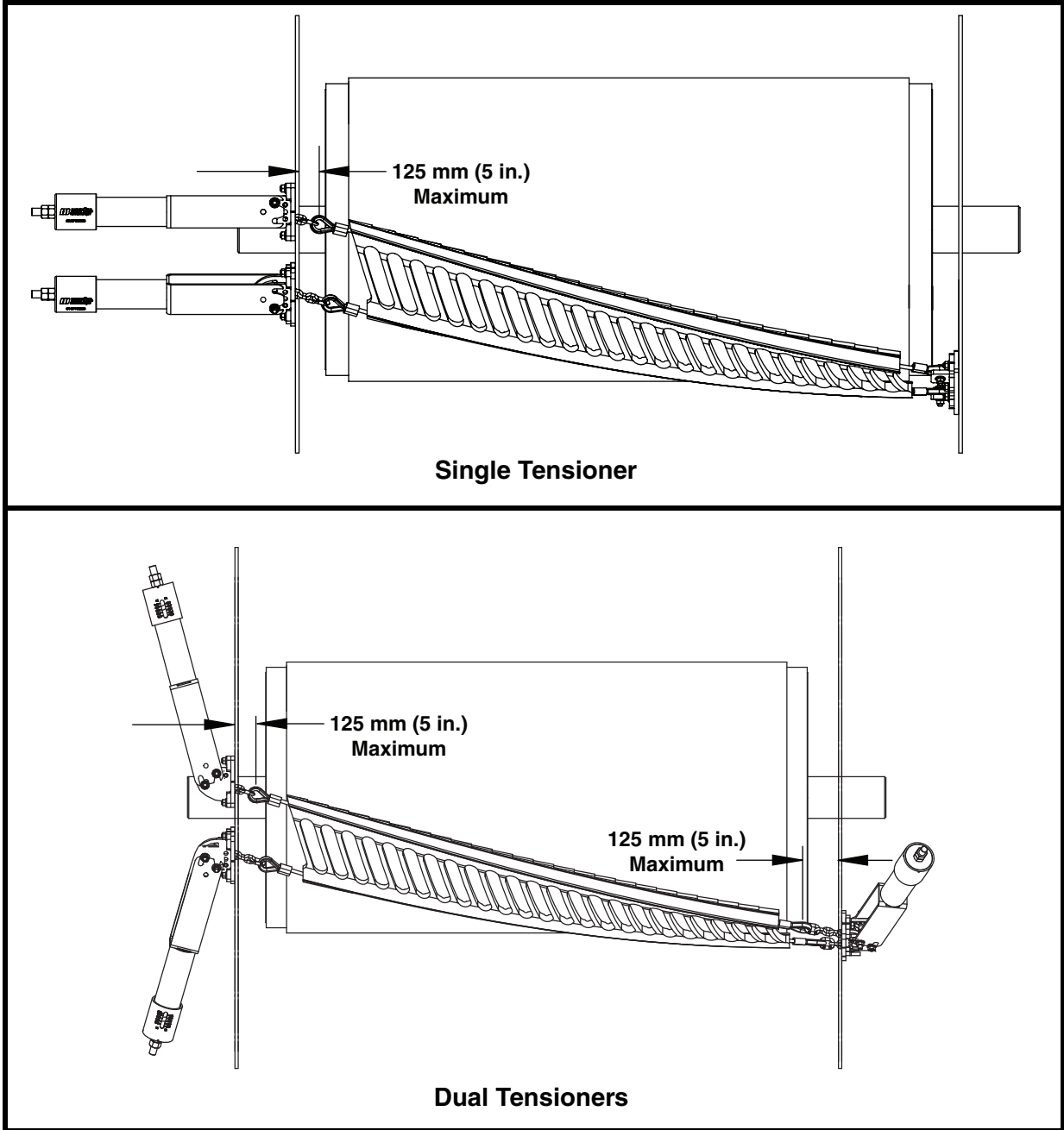
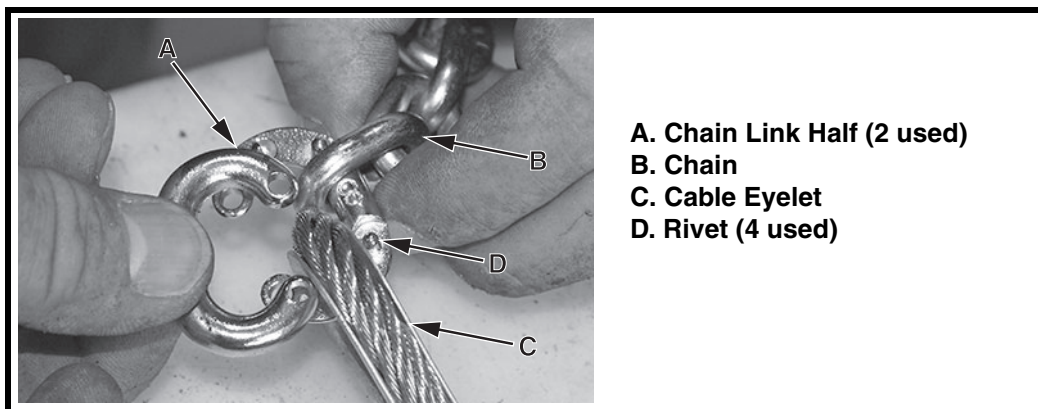


Figure 4. Installations with Wide Chute Walls

**IMPORTANT**

The maximum distance between chute wall and center of thimble is 125 mm (5 in.). Excess free chain or cable causes too much vibration resulting in damage to cleaner and components. If necessary, build a sub wall to support the tensioners and/or install wide chute wall kit, see Figure 15.



**Figure 5. Installing Chains and Breakaway Links**

*Installing chains*

**NOTE**

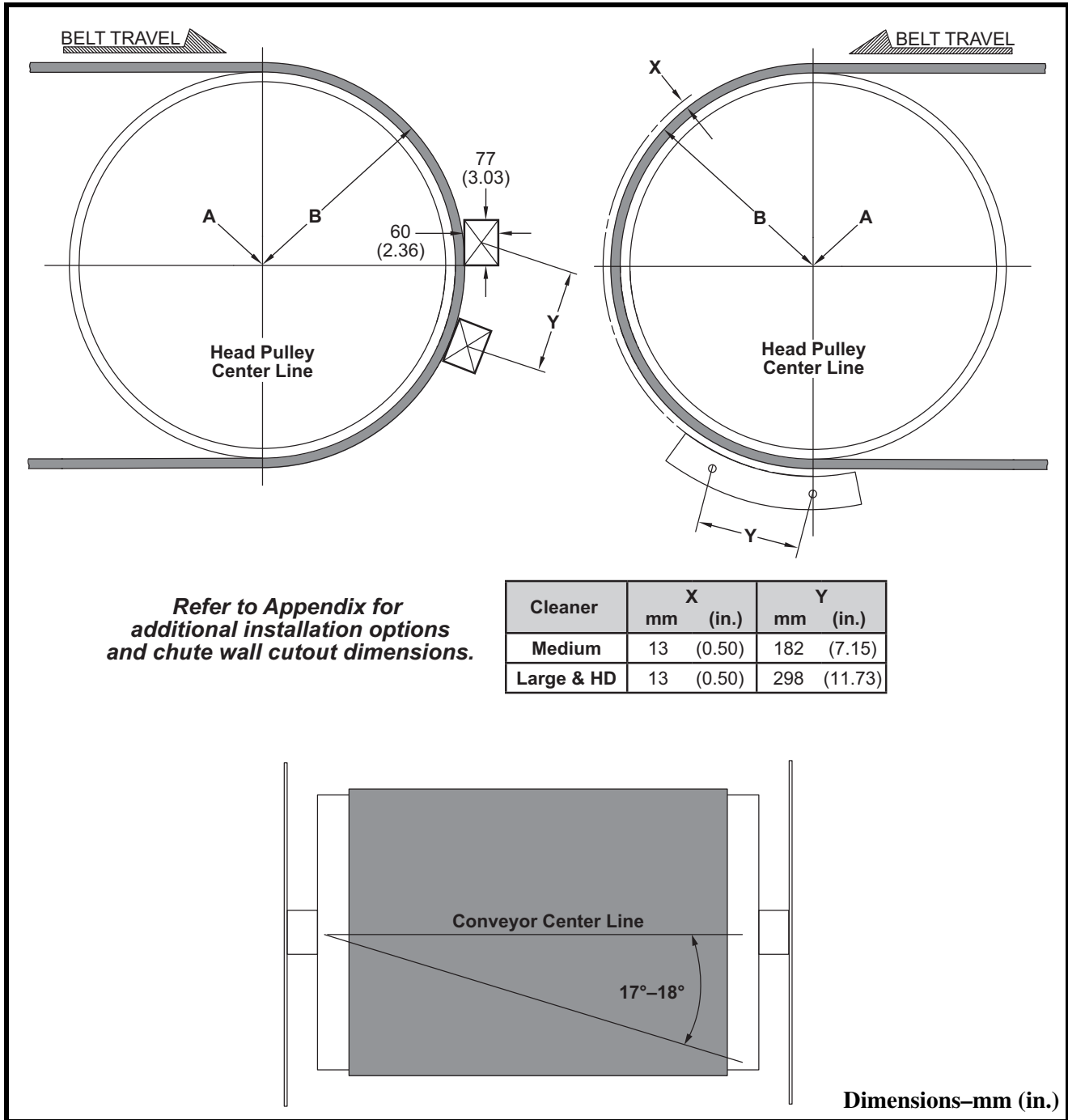
The chute wall that the tensioners will be located on is referred to as the “operator side.” The other side of the chute is referred to as the “far side.”

**NOTE**

Chains must be installed on the same side of chute tensioners will be located on. Tensioners and chains can be installed on either side of cleaner with tensioner on top as preferred location, but cleaner orientation must be as shown in Figure 1.

1. Determine operator side of chute and cleaner.
2. Install supplied chains on operator side of cleaner as follows:
  - a. Install one half of chain link (A) onto chain (B) and cable eyelet (C).
  - b. Install second half of chain link onto first half.
  - c. Place link on solid surface and peen rivets (D) to lock chain link halves together.
  - d. Repeat steps a–c for second chain.

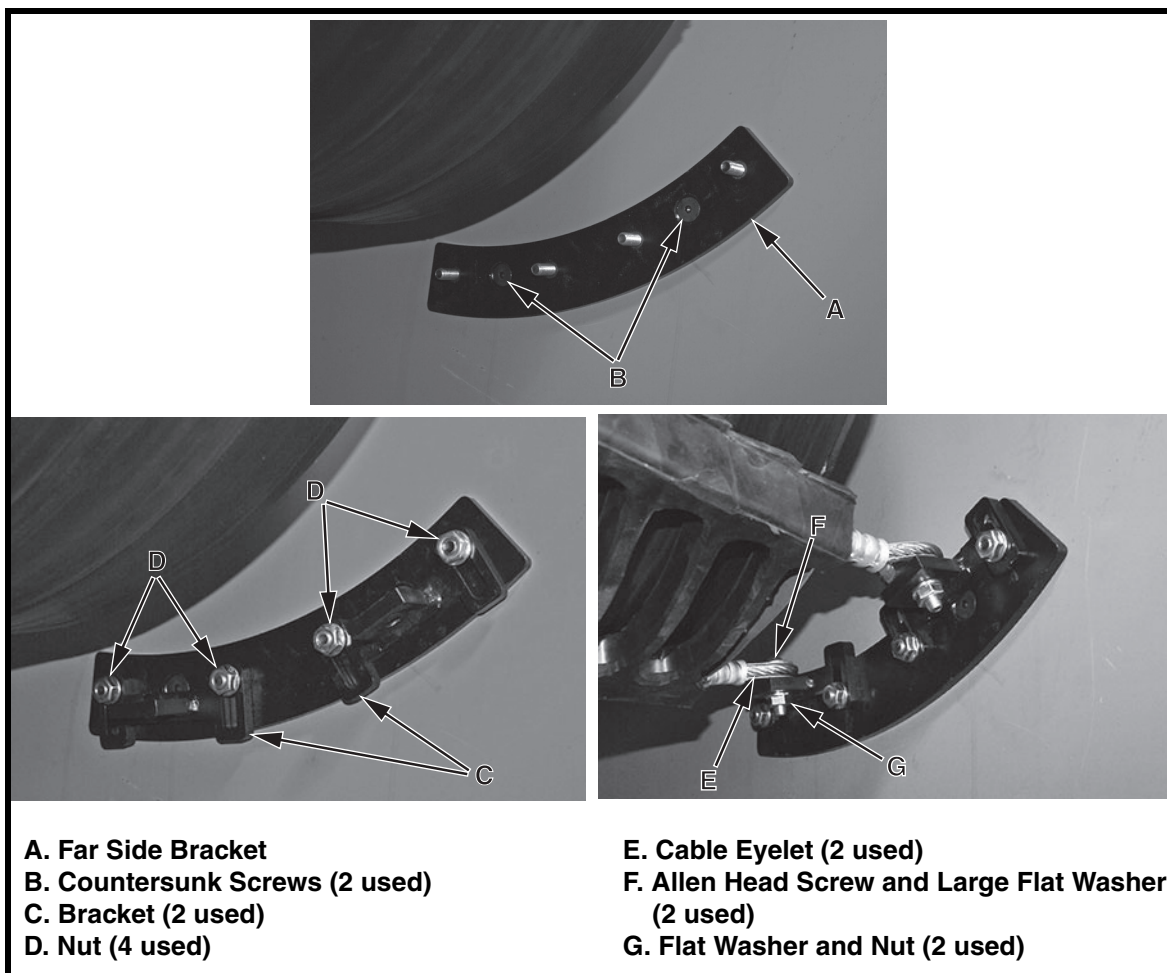
# Installing Belt Cleaner & Tensioners



**Figure 6. Belt Cleaner Location & Chute Wall Cutouts**

### *Locating belt cleaner*

1. On both sides of chute, find pulley center point (A).
2. Measure radius of head pulley including lagging and belt thickness (B). To this dimension, add dimension X from Figure 6.
3. On the far side of chute, start from center point (A), measure the total distance calculated in step 2 (B + X), and draw an arc on chute wall.
4. On the operator side of chute, start from center point (A), draw an arc on chute wall with a radius of (B).



**Figure 7. Installing Fixed Point Bracket**

5. On the far side of chute:
  - a. Draw a centerline of the head pulley perpendicular to the conveyor belt line (see Figure 6). Rotate the bottom side mount back as far as possible in order to achieve at least 17° of belt wrap while not exceeding the belt exit (see Figures 2 & 3).
  - b. If bolting fixed point bracket to chute wall, do the following:
    - (1) Position fixed point bracket on far side chute wall as shown in Figure 6 (centerline install is used as an example).
    - (2) Mark bracket hole locations.
    - (3) Drill or cut two 13 mm (1/2-in.) holes for screws in far side chute wall.
    - (4) Mount fixed point bracket to inside of far side chute wall using countersunk screws (B) and nuts.
  - c. If welding fixed point bracket to chute wall, do the following:
    - (1) Position fixed point bracket on far side chute wall as shown in Figure 6 (centerline install is used as an example).
    - (2) Weld bracket to chute wall. Weld completely around bracket. Do not skip weld.

**NOTE**

If wide chute wall adapter is required, see Figure 14. Wide chute wall adapter kit, P/N C1CP3000X. Bracket installation instructions are included in kit.

- d. Install brackets (C) using nuts (D). Hand tighten nuts (see Figure 7).
- e. Attach cleaner to far side bracket by inserting hex head screw and large flat washer (B) through cable hook (A) and fastening with flat washer and nut (C). Hand tighten nuts.

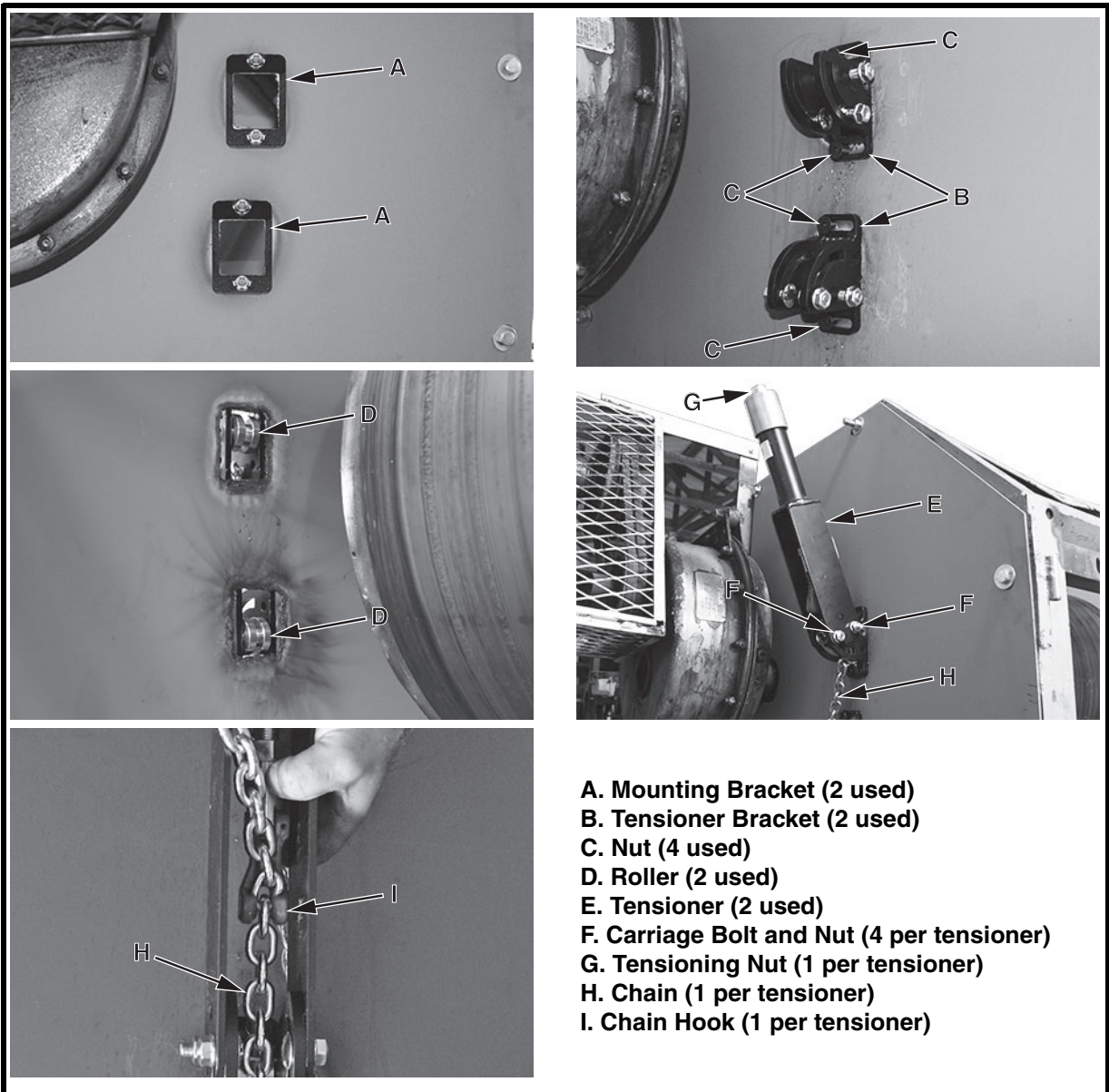
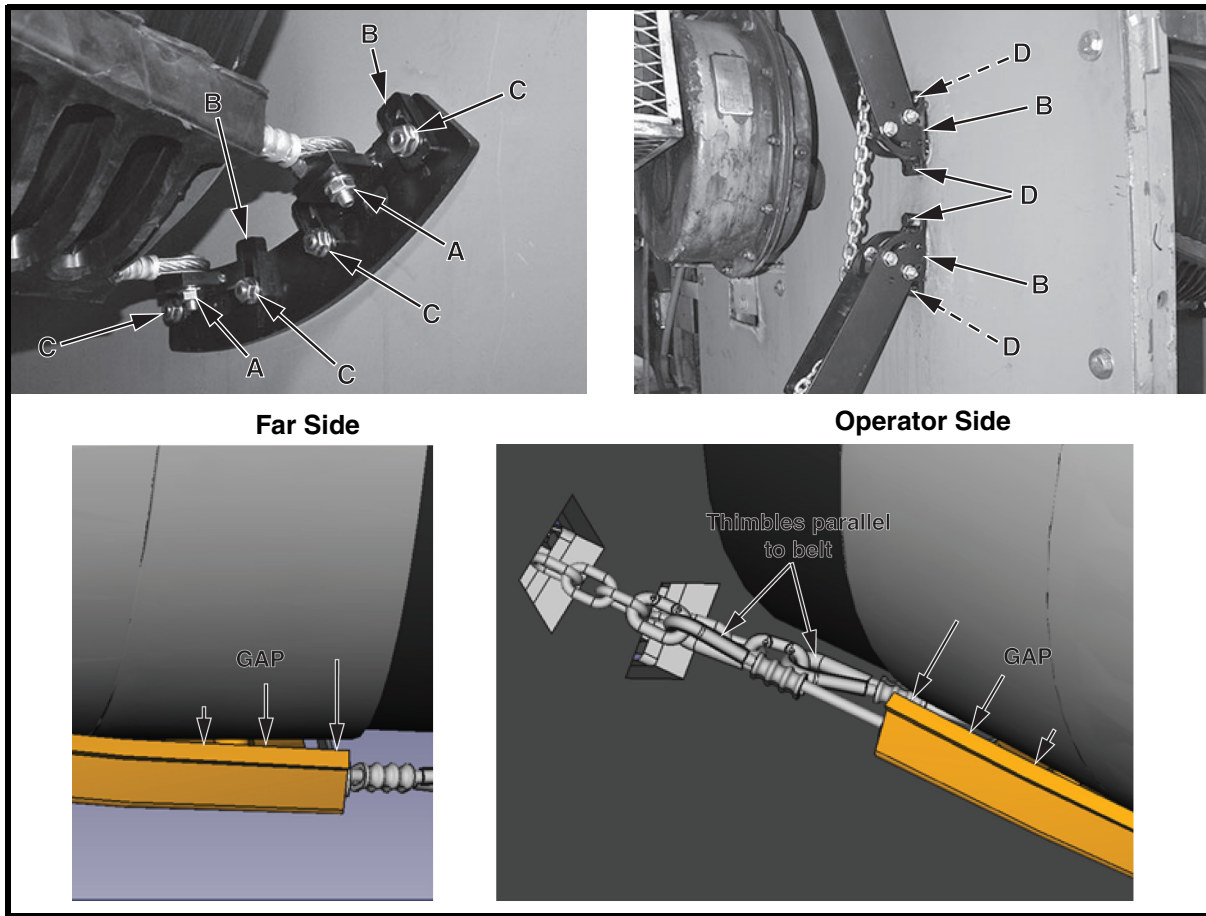


Figure 8. Installing Tensioners

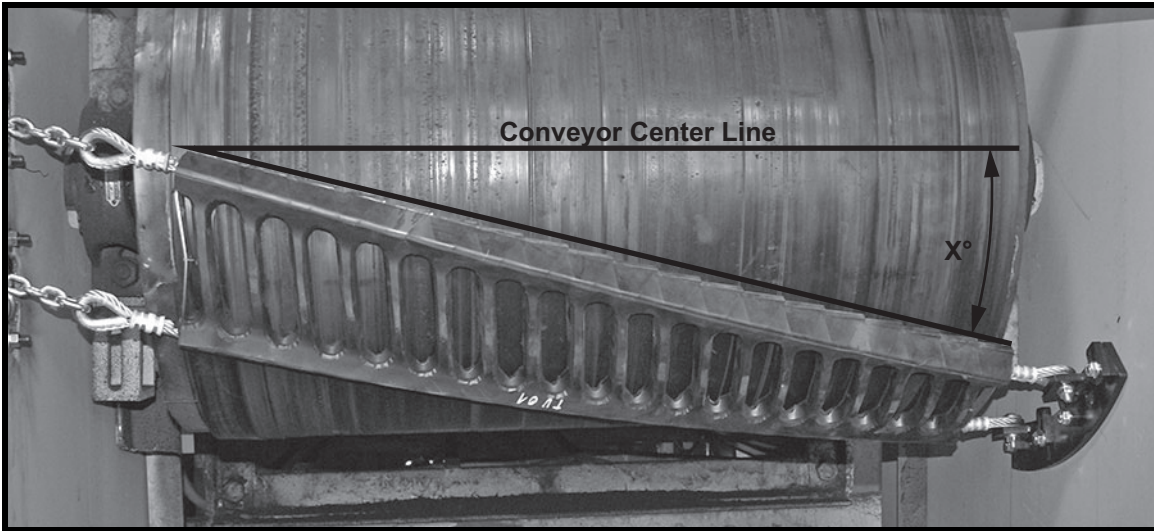


6. On the operator side of chute:
  - a. Draw conveyor centerline parallel to the conveyor belt line.
  - b. Draw a line at  $17^\circ$  from bottom hole of bottom bracket to location of bottom hole on top bracket, or utilize a string or elastic band to locate proper angle. Attach string to bottom hole on bottom bracket and hold it to head pulley centerline at 6:00 o'clock position on opposite chute, check angle, adjust angle to stay below product discharge point (see Figures 2 & 3). Mark location for bottom hole of top side tensioner.
  - c. Position weld plate as shown in Figure 6. The bottom of the cutout should be the conveyor centerline. The edge of the cutout should be tangent to the belt edge. Mark chute wall cutout as shown in Figure 6.
  - d. Mark upper bracket chute wall cutout as shown in Figure 6. Dimension Y is equal to the distance between mount holes on far side bracket.
  - e. Cut holes in chute wall. Remove burrs and sharp edges.
  - f. Center mounting brackets (A) on cutouts and weld to chute wall (see Figure 8).
  - g. Mount tensioner brackets (B) onto mounting bracket using nuts (C). Hand tighten nuts. Position top bracket with roller (D) in the upper position and bottom bracket with roller (D) in the lower position.
7. Mount tensioner (E) onto bracket using carriage bolts and nuts (F).
8. Position tensioner in desired location free from obstructions and tighten nuts (F).
9. Loosen nut (G) to the end of the threaded rod.
10. Hold cleaner against head pulley. Make sure the thimble is parallel to the surface of the belt.
11. Route chain (H) through chute wall and tensioner bracket.
12. Pull chain into hook (I).
13. Repeat steps 6–11 for remaining tensioner.
14. Ensure thimbles are parallel to belt (Figure 9).
15. Tighten tensioner nut (G) until center of cleaner is held firmly against head pulley.
16. Make sure each chain contacts roller in tensioner bracket (B) properly.



**Figure 9. Positioning Cleaner**

17. Tighten nuts (A).
18. Adjust brackets (B) on the operator side and far side, so outer two elements on each side are away from the belt. Increase the number of elements off the belt as necessary in order to ensure the mechanical splices will pass.
19. Tighten nuts (C) and countersunk screws and nuts (D).



**Figure 10. Measure Cleaner Angle**

20. Measure angle of cleaner.
21. Determine tension required according to tensioning chart.
22. Tighten tensioners.
  - a. If threaded spindle is not long enough to achieve desired tension (see Figure 8):
    - (1) Insert screw driver through hole in the lower part of the tensioner and chain (H), to secure the chain.
    - (2) Loosen tensioning nut (G) to release tension.
    - (3) Reinstall chain in hook (I) as close to the screw driver as possible.
    - (4) Tighten tensioning nut until required tension is achieved.
23. Install and tighten jam nut against tensioning nut on each tensioner.
24. Make sure outer elements on cleaner are positioned as follows:
  - a. For vulcanized splices, outer 2 elements on each side should be approximately 3 mm (1/8-in.) away from belt on both the upper and lower ropes.
  - b. For mechanical splices, outer 3–4 elements on each side should be approximately 3–6 mm (1/8–1/4-in.) away from belt on both the upper and lower ropes. Increase gap as necessary in order to ensure the mechanical splices will pass.
  - c. For reversing belts, ensure gap on both top and bottom sides are sufficient for splice passage while belt is traveling in either direction.
25. Make sure there is sufficient clearance between chute wall cutouts and chains. When running under heavy load, the blade will be pushed down. Any rubbing of the chain and/or safety link when the belt is running can cause breakages.
26. If using Martin® Inspection Door, cut access door opening and mounting holes according to *Martin® Inspection Door Operator's Manual*, P/N M3891.

**Table II. CleanScrape® Cleaner Tensioning Chart**

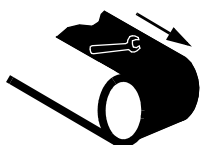
CSP Size	Belt Width		Upper Rope Force Required	Lower Rope Force Required*
	mm	(in.)		
Medium	600	24	1.50 kN	1.20 kN
	601–800	30	1.80 kN	1.50 kN
	801–900	36	1.90 kN	1.60 kN
	901–1000	42	2.00 kN	1.70 kN
	1001–1200	48	2.20 kN	1.90 kN
	1201–1400	54	2.80 kN	2.40 kN
	1401–1600	60	3.00 kN	2.50 kN
	1601–1700	66	3.25 kN	2.75 kN
Large	1701–1800	72	3.50 kN	3.00 kN
	800	30	1.80 kN	1.50 kN
	801–900	36	1.90 kN	1.60 kN
	901–1000	42	2.00 kN	1.70 kN
	1001–1200	48	2.20 kN	1.90 kN
	1201–1400	54	2.70 kN	2.30 kN
	1401–1600	60	2.90 kN	2.50 kN
	1601–1700	66	3.10 kN	2.65 kN
	1701–1800	72	3.30 kN	2.80 kN
	1801–2000	78	3.50 kN	3.00 kN
	2001–2150	84	3.75 kN	3.25 kN
2151–2400	96	4.00 kN	3.50 kN	
HD	1000	42	2.00 kN	1.70 kN
	1001–1200	48	2.20 kN	1.90 kN
	1201–1400	54	2.70 kN	2.30 kN
	1401–1600	60	2.90 kN	2.50 kN
	1601–1700	66	3.10 kN	2.65 kN
	1701–1800	72	3.30 kN	2.80 kN
	1801–2000	78	3.50 kN	3.00 kN
	2001–2150	84	3.75 kN	3.25 kN
	2151–2400	96	4.00 kN	3.50 kN
	2401–2600	102	4.50 kN	4.00 kN
	2601–2750	108	4.75 kN	4.35 kN
2751–3000	120	5.00 kN	4.70 kN	

\*Lower rope should have 10% to 15% less force than upper rope.

# After Installing Belt Cleaner



1. Thoroughly wipe chute wall clean above tensioner.
2. Place Conveyor Products Warning Label (P/N 23395) on outside chute wall visible to belt cleaner operator.
3. Additional safety labels are available from CEMA. For more information regarding CEMA safety labels visit [www.cemanet.org](http://www.cemanet.org).



## **⚠ WARNING**

**Failure to remove tools from installation area and conveyor belt before turning on energy source can cause serious injury to personnel and damage to belt.**



## **⚠ DANGER**

**Do not touch or go near conveyor belt or conveyor accessories when conveyor belt is running. Body or clothing can get caught and pull body into conveyor belt, causing severe injury or death.**

4. Start conveyor belt. Observe belt cleaner operation for several revolutions of the belt. Properly shutdown belt and make appropriate adjustments. Return belt to service.
5. Run conveyor belt for one hour, adjust belt cleaner as necessary.



## **⚠ DANGER**

**Before installing, servicing, or adjusting the belt cleaner, turn off and lockout / tagout / blockout / testout all energy sources to the conveyor and conveyor accessories according to ANSI standards or country specific safety standards (DIN, ISO, etc.). Failure to do so could result in serious injury or death.**

- a. Make sure all fasteners are tight. Tighten if necessary.
- b. Inspect belt cleaner for the following:
  - (1) Wear. (A small amount of “break-in” wear may be found. This will stop once blades wear to conveyor belt contour.)
  - (2) Material buildup. (No material between blades and return side of conveyor belt should be found.)

- c. If wear, material buildup, or some other problem exists, see “Troubleshooting.”
- d. Monitor cleaner and after 7–10 days re-tension cleaner to overcome any thimble bedding in.

## IMPORTANT

Read entire section before beginning work.

## NOTE

Maintenance inspection should be performed no less than weekly. Some applications may require more frequent maintenance inspections.



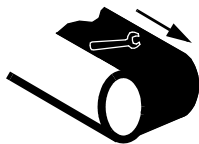
## ⚠ DANGER

Before installing, servicing, or adjusting the belt cleaner, turn off and lockout / tagout / blockout / testout all energy sources to the conveyor and conveyor accessories according to ANSI standards or country specific safety standards (DIN, ISO, etc.). Failure to do so could result in serious injury or death.

1. Remove any material from belt cleaner.
2. Make sure all fasteners are tight. Tighten if necessary.
3. Check tension on cleaner. Re-tension if necessary.
4. Wipe all labels clean. If labels are not readable, contact Martin Engineering or a representative for replacements.
5. Check blades for excessive wear. Replace blade if carbide metal wear is greater than 5 mm (3/16 in.).
6. Monitor cleaner and after 7-10 days re-tension cleaner to overcome any thimble bedding-in.
7. Remove equipment from service if there is any indication it is not functioning properly. Call Martin Engineering or a representative for assistance. Do NOT return equipment to operation until the cause of the problem has been identified and corrected.

## ⚠ WARNING

Failure to remove tools from maintenance area and conveyor belt before turning on energy source can cause serious injury to personnel and damage to belt.



8. Remove all tools from maintenance area.

## ⚠ DANGER

Do not touch or go near conveyor belt or conveyor accessories when conveyor belt is running. Body or clothing can get caught and pull body into conveyor belt, causing severe injury or death.



9. Start conveyor belt. Observe belt cleaner operation for several revolutions of the belt. Service or adjust belt cleaner as necessary to ensure proper belt cleaner operation.

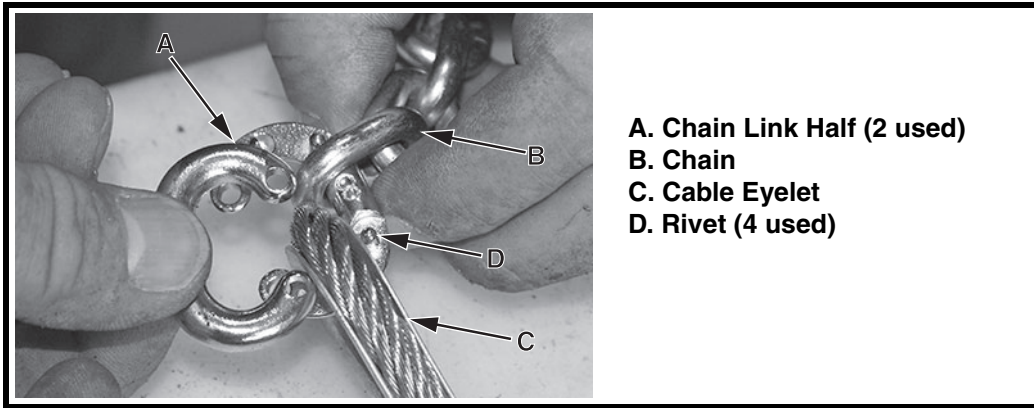


Figure 11. Replacing Breakaway Link

*Replacing Breakaway Link*

**NOTE**

The CleanScrape® Cleaner is equipped with two breakaway links that are designed to let the operator side of the cleaner breakaway from the tensioners and fall away from the belt. The cleaner remains attached to the far side bracket to prevent damage to the cleaner or conveyor components.

1. If breakaway links break:
  - a. Inspect cleaner and conveyor to determine cause of breakage.
  - b. Install new links as follows:
    - (1) Install one half of chain link (A) onto chain (B) and cable eyelet (C).
    - (2) Install second half of chain link onto first half.
    - (3) Place link on solid surface andpeen rivets (D) to lock chain link halves together.

**⚠ WARNING**

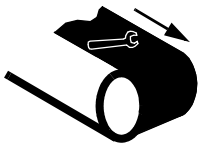
Failure to remove tools from maintenance area and conveyor belt before turning on energy source can cause serious injury to personnel and damage to belt.

- c. Remove all tools from maintenance area.

**⚠ DANGER**

Do not touch or go near conveyor belt or conveyor accessories when conveyor belt is running. Body or clothing can get caught and pull body into conveyor belt, causing severe injury or death.

- d. Start conveyor belt. Observe belt cleaner operation for several revolutions of the belt. Service or adjust belt cleaner as necessary to ensure proper belt cleaner operation.





# Troubleshooting



**⚠ DANGER**

Before installing, servicing, or adjusting the belt cleaner, turn off and lockout / tagout / blockout / testout all energy sources to the conveyor and conveyor accessories according to ANSI standards or country specific safety standards (DIN, ISO, etc.). Failure to do so could result in serious injury or death.

Symptom	Corrective Action
Insufficient cleaning and carryback.	Check to see that cleaner is contacting the belt across the front edge of the cleaner. Recheck mounting dimensions and adjust as necessary. Gradually increase tension in 5-10% increments, maintaining 15% less tension on bottom rope, until cleaning is sufficient. Ensure tensioner spring is not totally collapsed and watch for chute flex.
Belt is cleaner on one side than the other.	Check installation, ensure cleaner is properly mounted and make any adjustments. Cleaner is likely out on one side and needs to be moved closer to the belt, re-tension cleaner (see Figure 9).
Blade dancing or vibration.	Check installation, ensure cleaner is properly mounted and make any adjustments. Cleaner is likely out on one side and needs to be moved closer to the belt, re-tension cleaner as described above (see Figure 9). Check tension on tensioner gauge to be sure of proper tension. Reset tension according to tensioning charts. Ensure blade is installed at proper angle. Ensure cleaner is centered on the belt and excess cable or chain on either side of belt does not exceed 125 mm (5 in.).  Ensure chute wall is not flexing. Increase support as necessary.
Cleaner is catching on mechanical splice.	Check that outer 3–4 elements are off the belt by at least 3–6 mm (1/8–1/4 in.) to allow for the splice to flow through the cleaner without catching. Increase gap as necessary to allow splice to pass.
Material builds up in gaps.	Remove any excess material and check to ensure cleaner is properly located. Ensure bottom rope is properly positioned, adjust bottom rope on bottom side away from conveyor slightly by rotating bottom bracket. This will increase gap and allow material to be discharged more easily. Add more tension. Increase difference between tension on top and bottom rope to 15%.

**NOTE**

Conveyor equipment such as conveyor belt cleaners are subject to a wide variety of bulk materials characteristics and often have to perform under extreme operating or environmental conditions. It is not possible to predict all circumstances that may require troubleshooting. Contact Martin Engineering or a representative if you are experiencing problems other than those listed in the “Troubleshooting” chart above. Do not return the equipment to operation until the problem has been identified and corrected.

***Installation checklist***

If after taking the corrective actions suggested under “Troubleshooting” you are still experiencing problems, check for the following:

<b>Installation Checklist</b>
✓ Pre-Cleaner blade is proper distance from belt surface on both sides of head pulley.
✓ Pre-Cleaner blade tip does not lie in path of material flow.
✓ Blade is centered on belt.

# Part Numbers

This section provides product names and corresponding part numbers for CleanScrape® Cleaners and related equipment. Please reference part numbers when ordering parts:

## CleanScrape® Large and Medium Cleaner

NOMENCLATURE	C1C	X	X	R	XXX	X	XX
<i>P/N Prefix</i>	_____	_____	_____	_____	_____	_____	_____
<i>Cleaner Size</i>	_____	_____	_____	_____	_____	_____	_____
<i>Assembly Type</i>	_____	_____	_____	_____	_____	_____	_____
<i>Blade Body Material</i>	_____	_____	_____	_____	_____	_____	_____
<i>Belt Width</i>	_____	_____	_____	_____	_____	_____	_____
<i>Blade Carbide Type</i>	_____	_____	_____	_____	_____	_____	_____
<i>No. of Elements in Blade</i>	_____	_____	_____	_____	_____	_____	_____

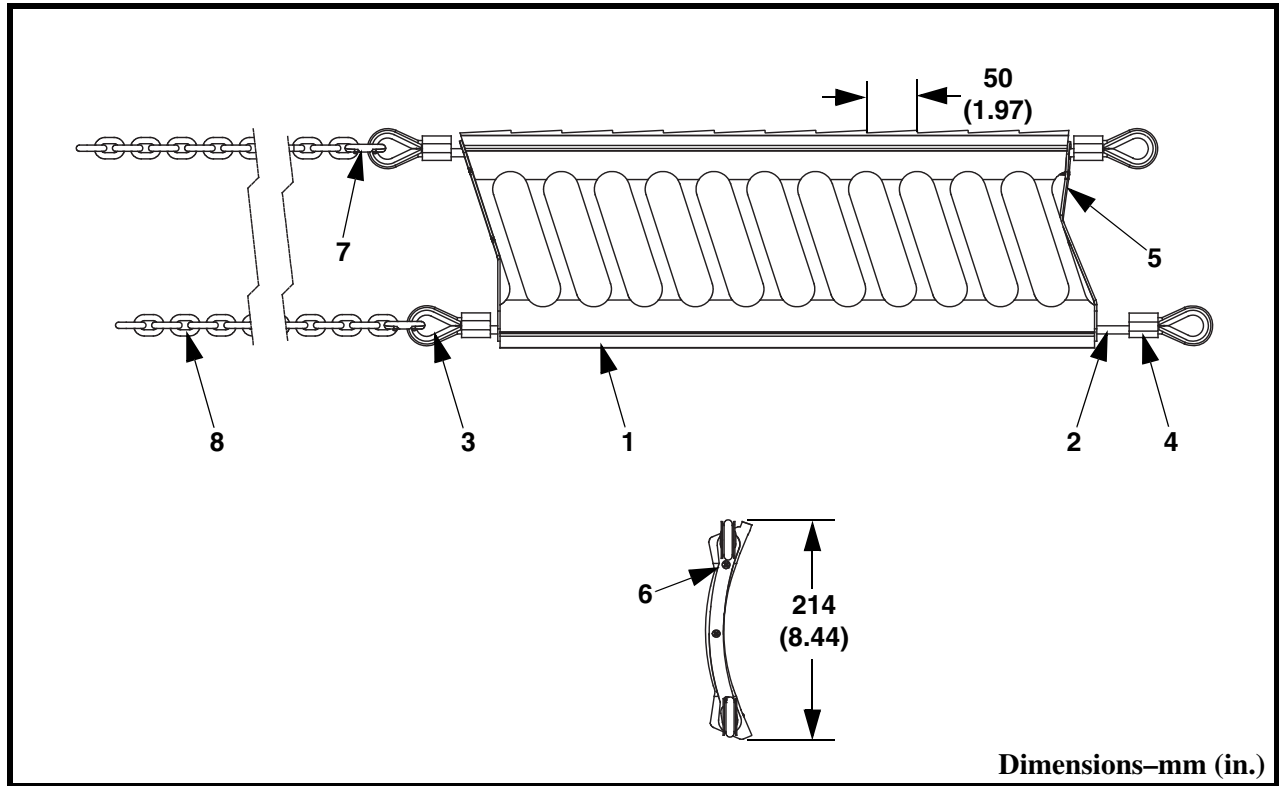
<b>CLEANER SIZE</b> <b>M:</b> Medium <b>L:</b> Large	<b>BLADE BODY MATERIAL</b> <b>R:</b> Rubber
<b>ASSEMBLY TYPE</b> <b>B:</b> Blade Assembly without tensioner <b>T:</b> Blade Assembly with tensioner <b>S:</b> Blade Assembly with Stainless Steel tensioner	<b>BELT WIDTH</b> <b>SXX:</b> Inch Belt Width <b>XXX:</b> MM Belt Width/10
	<b>CARBIDE TYPE</b> <b>A:</b> A Carbide Grade <b>B:</b> B Carbide Grade <b>C:</b> C Carbide Grade

## CleanScrape® HD Cleaner

NOMENCLATURE	C1C	H	X	R	XXX	X	XX
<i>P/N Prefix</i>	_____	_____	_____	_____	_____	_____	_____
<i>Cleaner Size</i>	_____	_____	_____	_____	_____	_____	_____
<i>Assembly Type</i>	_____	_____	_____	_____	_____	_____	_____
<i>Blade Body Material</i>	_____	_____	_____	_____	_____	_____	_____
<i>Belt Width</i>	_____	_____	_____	_____	_____	_____	_____
<i>Blade Carbide Type</i>	_____	_____	_____	_____	_____	_____	_____
<i>No. of Elements in Blade</i>	_____	_____	_____	_____	_____	_____	_____

<b>CLEANER SIZE</b> <b>H:</b> Heavy Duty	<b>BLADE BODY MATERIAL</b> <b>R:</b> Rubber
<b>ASSEMBLY TYPE</b> <b>B:</b> Blade Assembly without tensioner <b>T:</b> Blade Assembly with tensioner <b>S:</b> Blade Assembly with Stainless Steel tensioner	<b>BELT WIDTH</b> <b>SXX:</b> Inch Belt Width <b>XXX:</b> MM Belt Width/10
	<b>CARBIDE TYPE</b> <b>B:</b> B Carbide Grade



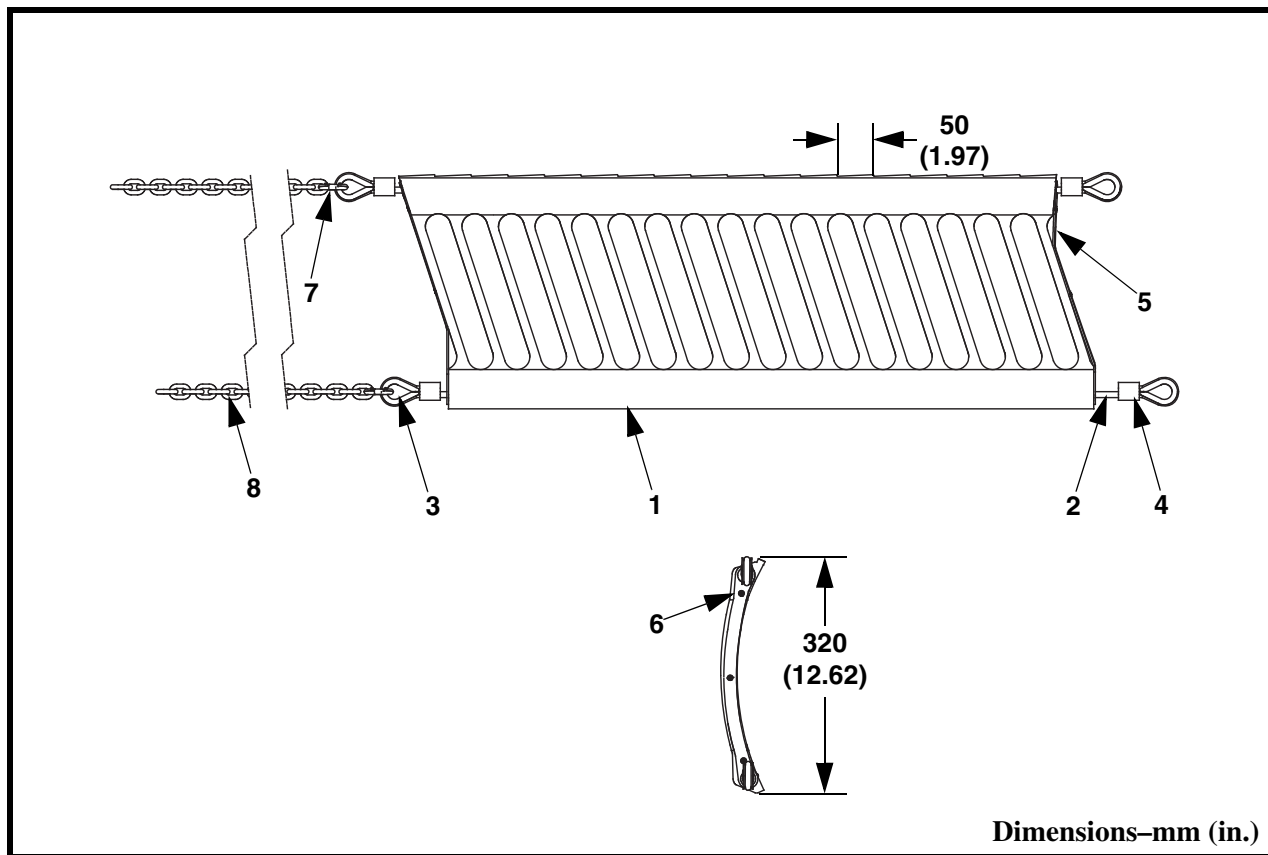
**Figure 12. CleanScrape® Medium Cleaner, P/N C1CMRXXXXXX**

Item	Description	Part No.
1	Blade 50mm LG Element	C1CBCMX
2	Wire Rope 8mm SS	Table III
3	Wire Rope Thimble for 8mm Cable	C1CP5101XS
4	Swage Sleeve for 8mm Cable	C1CP51011C
5	End Safety Plate	C1CP50002S
6	Screw Wood #6 x 3/4 316 SS	39367
7	Chain Safety Link 8mm SS	C1CP51001S
8	Chain	C1CP51002T
9 (NS)	Installation Kit	Table III
10 (NS)	Adapter Kit for Wide Chute Wall	C1CP30000X

NS = Not Shown

**Table III. Part Numbers for CleanScrape® Medium Cleaner**

Number of Elements	Part No. Item 2	Part No. Item 9
29 and Below	C1CP51008S	C1CT4MX (Single 4.2kN)
30 thru 39	C1CP51009S	C1CT4DX (Dual 4.2kN)



**Figure 13. CleanScape® Large Cleaner, P/N C1CLXRXXXXXX**

Item	Description	Part No.
1	Blade 50mm LG Element	C1CBCLX
2	Wire Rope 8mm SS	Table IV
3	Wire Rope Thimble for 8mm Cable	C1CP5101XS
4	Swage Sleeve for 8mm Cable	C1CP51011C
5	End Safety Plate	C1CP50003S
6	Screw Wood #6 x 3/4 316 SS	39367
7	Chain Safety Link 8mm SS	C1CP51001S
8	Chain	C1CP51002T
9 (NS)	Installation Kit	Table IV
10 (NS)	Adapter Kit for Wide Chute Wall	C1CP30000X

NS = Not Shown

**Table IV. Part Numbers for CleanScape® Large Cleaner**

Number of Elements	Part No. Item 2	Part No. Item 9
29 and below	C1CP51008S	C1CT4LX (Single 4.2kN)
30 thru 39	C1CP51009S	C1CT4DX (Dual 4.2kN)
40 thru 52		C1CT6DX (Dual 6.6kN)

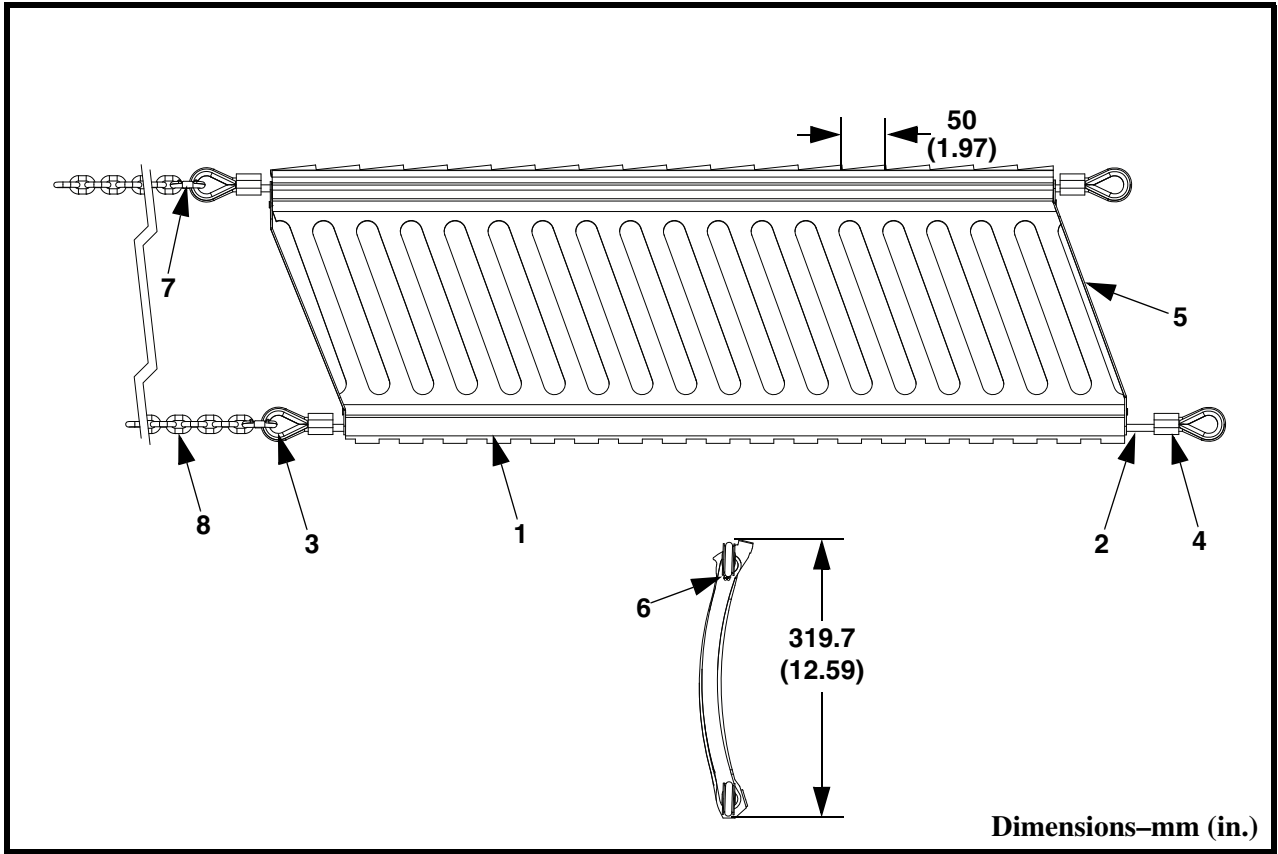


Figure 14. CleanScape® HD Cleaner, P/N C1CHXRXXXXXX

Item	Description	Part No.
1	Blade 50mm HD Element	C1CBCHB
2	Wire Rope 8mm SS	Table V
3	Wire Rope Thimble for 8mm Cable	C1CP5101XS
4	Swage Sleeve for 8mm Cable	C1CP51011C
5	End Safety Plate	C1CP50003S
6	Screw Wood #6 x 3/4 316 SS	39367
7	Chain Safety Link 8mm SS	C1CP51001S
8	Chain	C1CP51002T
9 (NS)	Installation Kit	Table V
10 (NS)	Adapter Kit for Wide Chute Wall	C1CP30000X

NS = Not Shown

Table V. Part Numbers for CleanScape® HD Cleaner

Number of Elements	Part No. Item 2	Part No. Item 9
29 and below	C1CP51008S	C1CT4LX (Single 4.2kN)
30 thru 39	C1CP51009S	C1CT4DX (Dual 4.2kN)
40 thru 61		C1CT6DX (Dual 6.6kN)

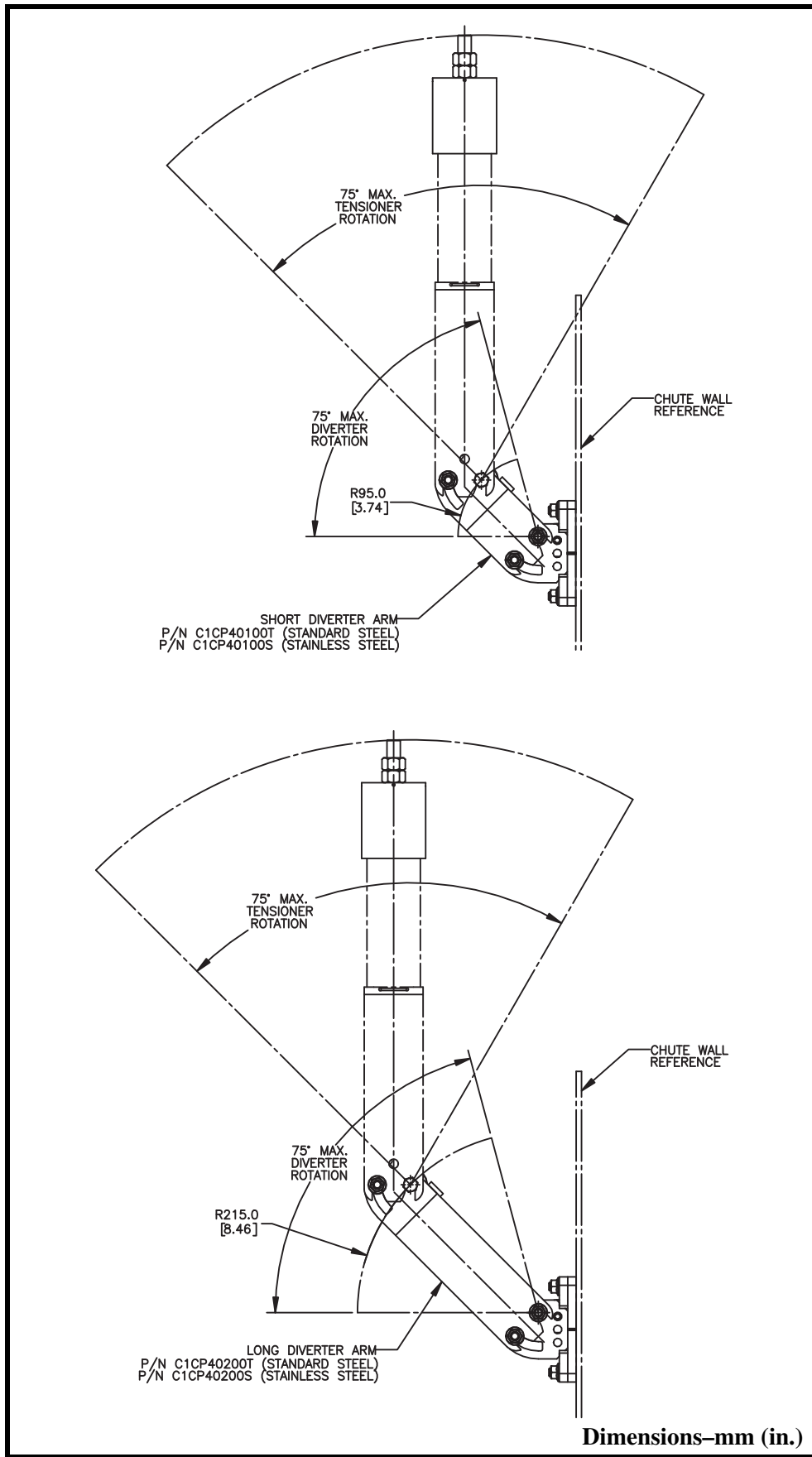
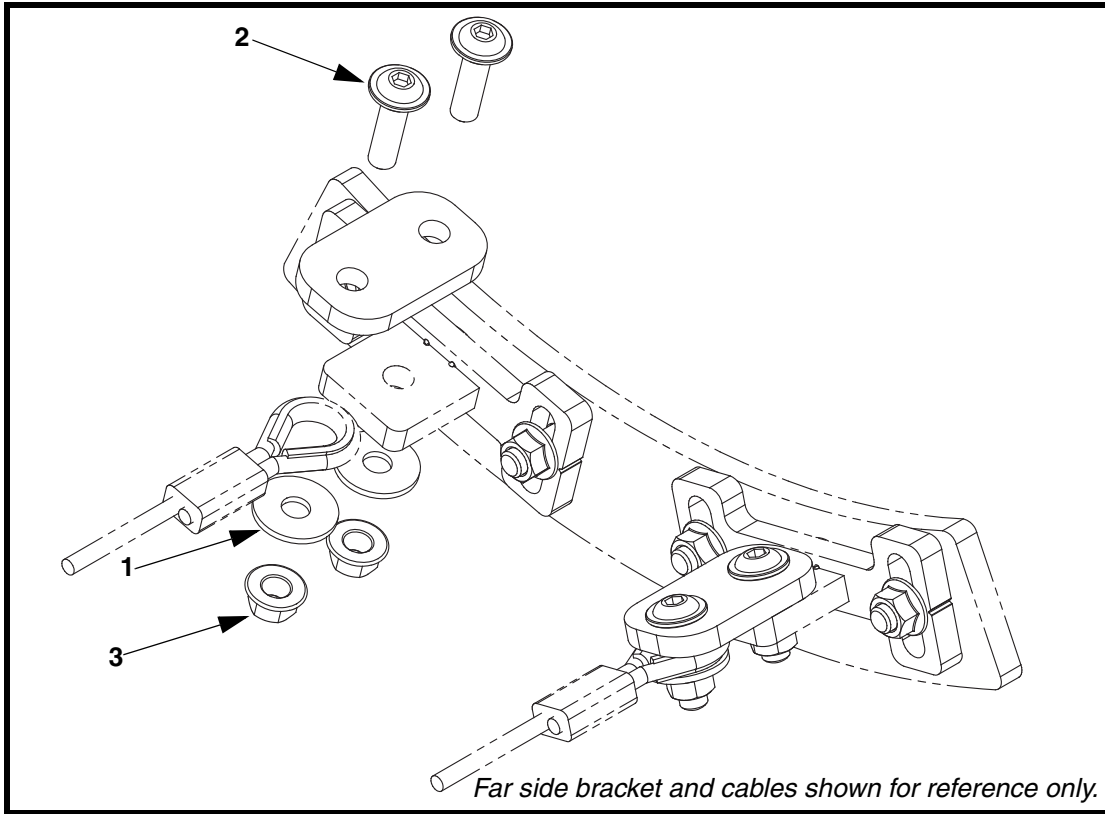


Figure 15. Optional Diverter Arms



**Figure 16. Wide Chute Wall Adapter Kit, P/N C1CP30000X\***

Item	Description	Part No.	Qty.
1	Washer Flat 10mm Fender	Table IV	4
2	Screw SBFH M10 x 1.5 x 35	Table IV	4
3	Nut Hex Serrated Flange M10 x 1.5	Table IV	4

**Table VI. Part Numbers for Wide Chute Wall Adapter Kit**

Assembly Part No.	Part No. Item 1	Part No. Item 2	Part No. Item 3
C1CP30000T	39492	39493	39491
C1CP30000S	39492-S	39493-S	39491-S



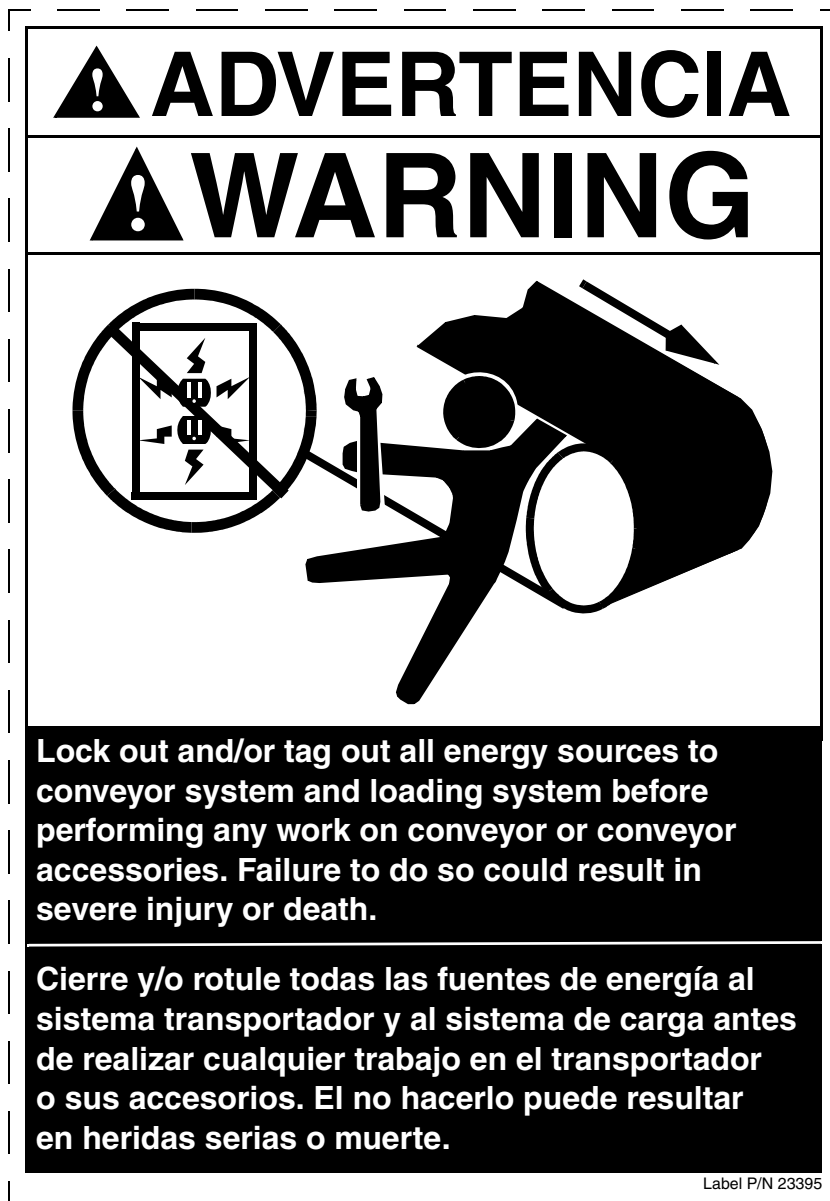
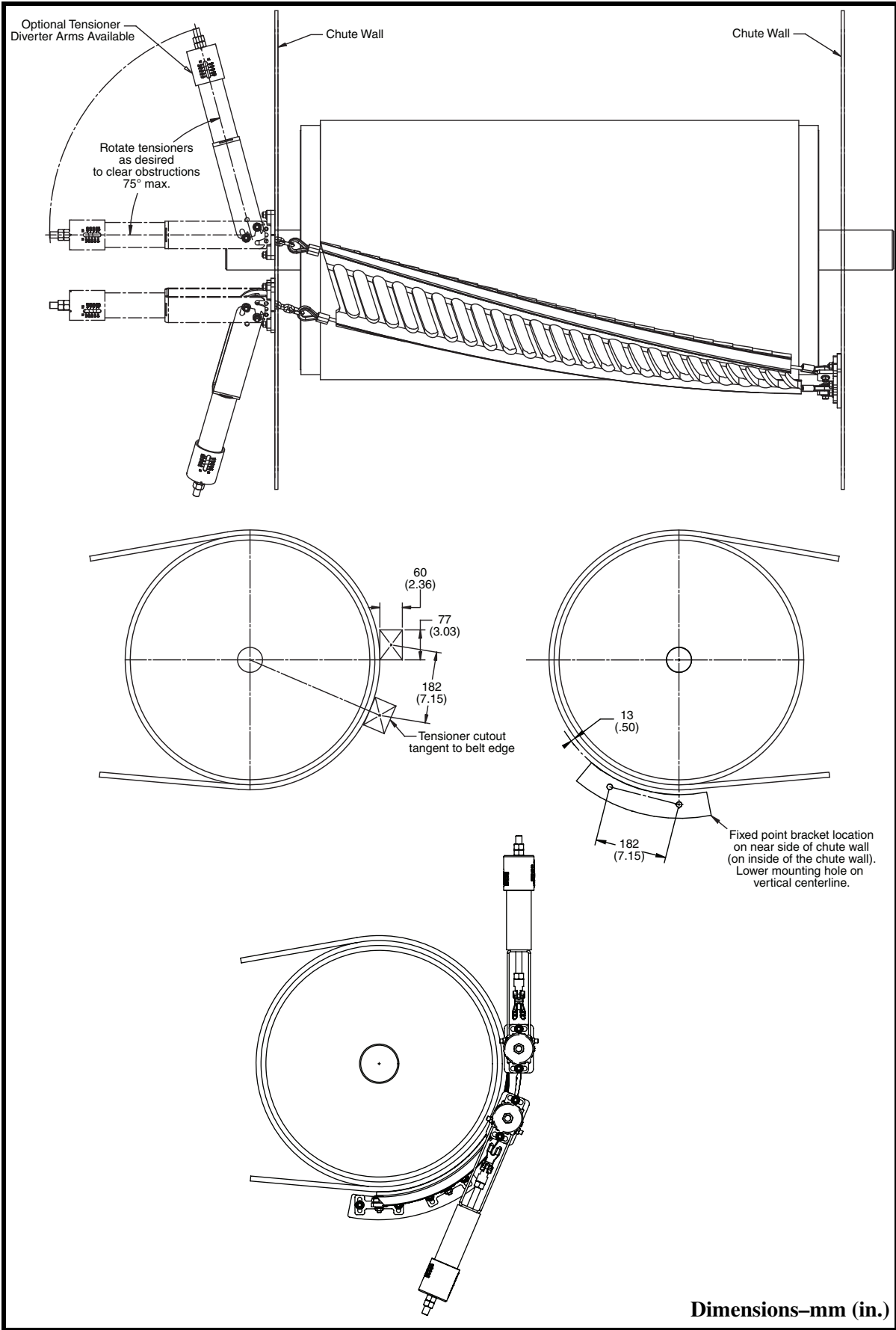


Figure 17. Martin® Conveyor Products Warning Label, P/N 23395

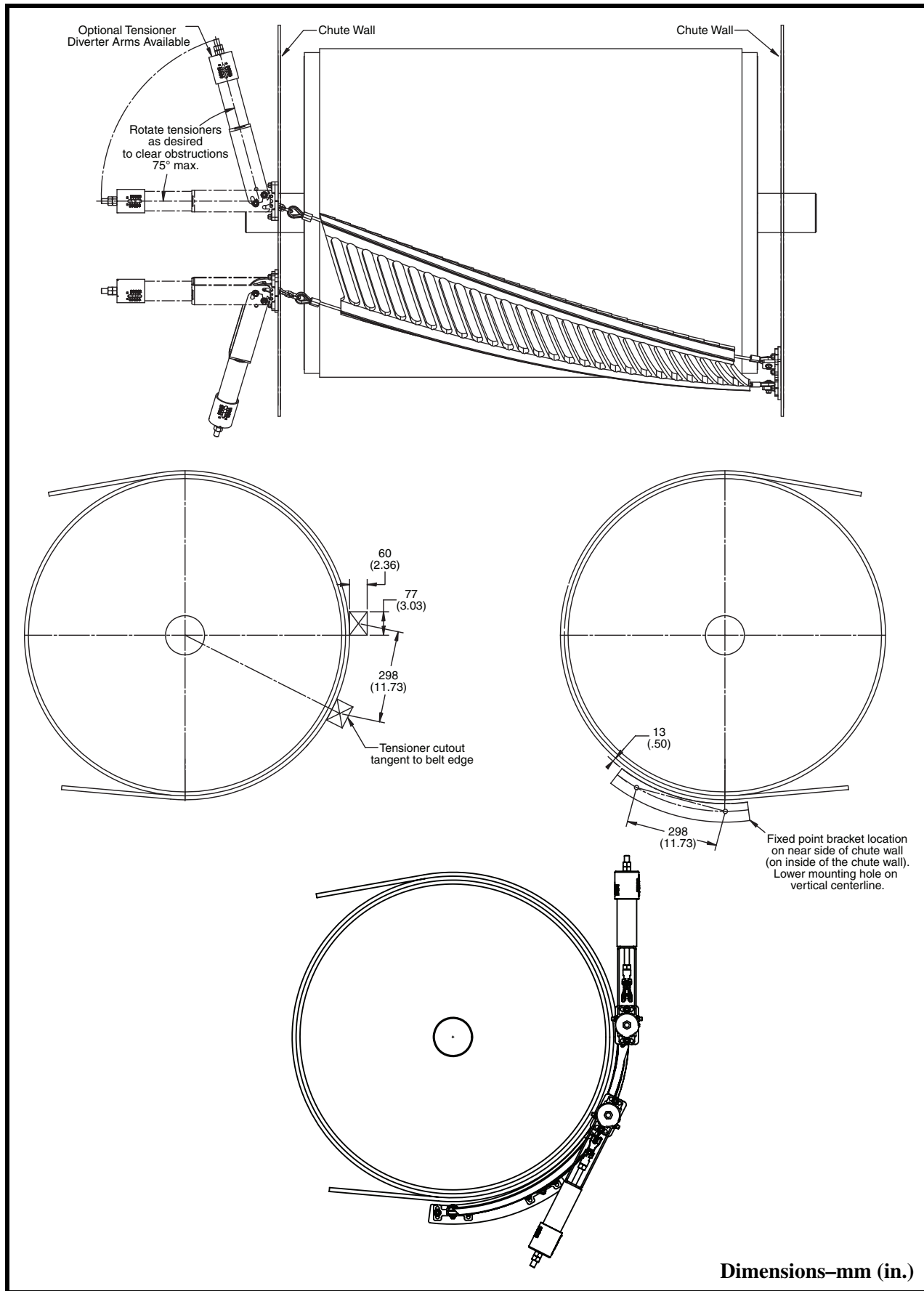


## Appendix

### CleanScrape<sup>®</sup> Cleaners Mounting Location Options

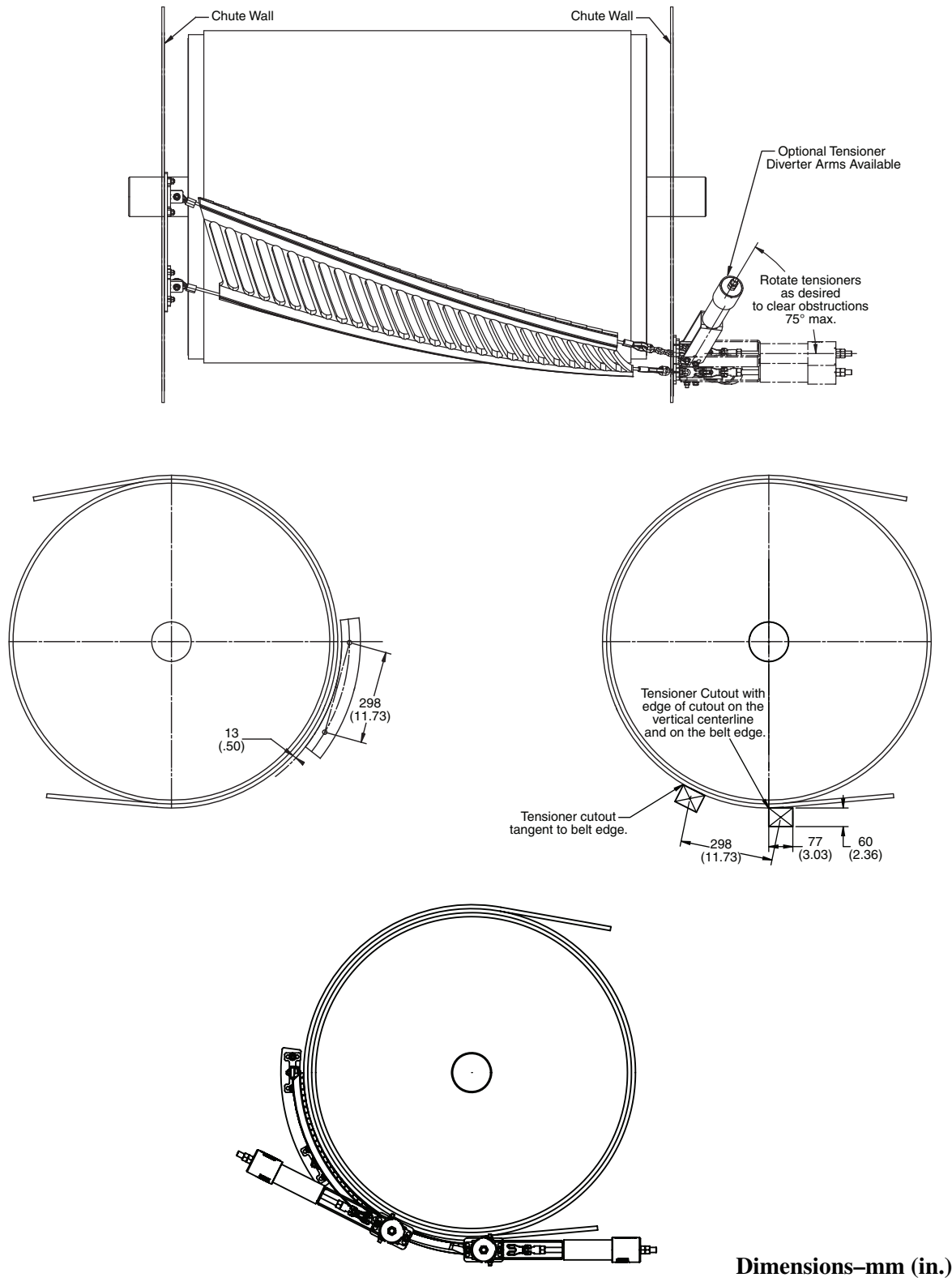


Preferred Mounting Location for CleanScape® Medium Cleaner



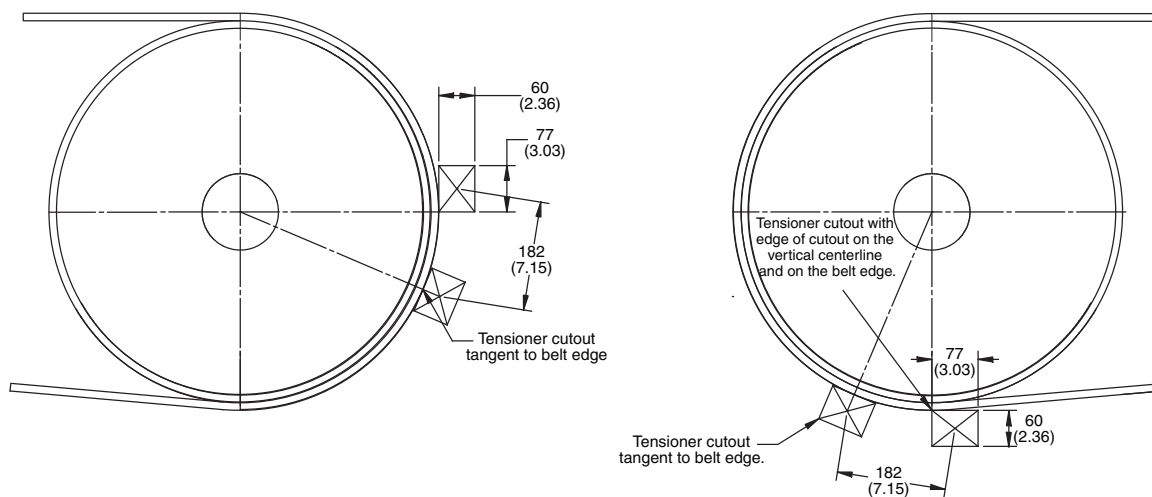
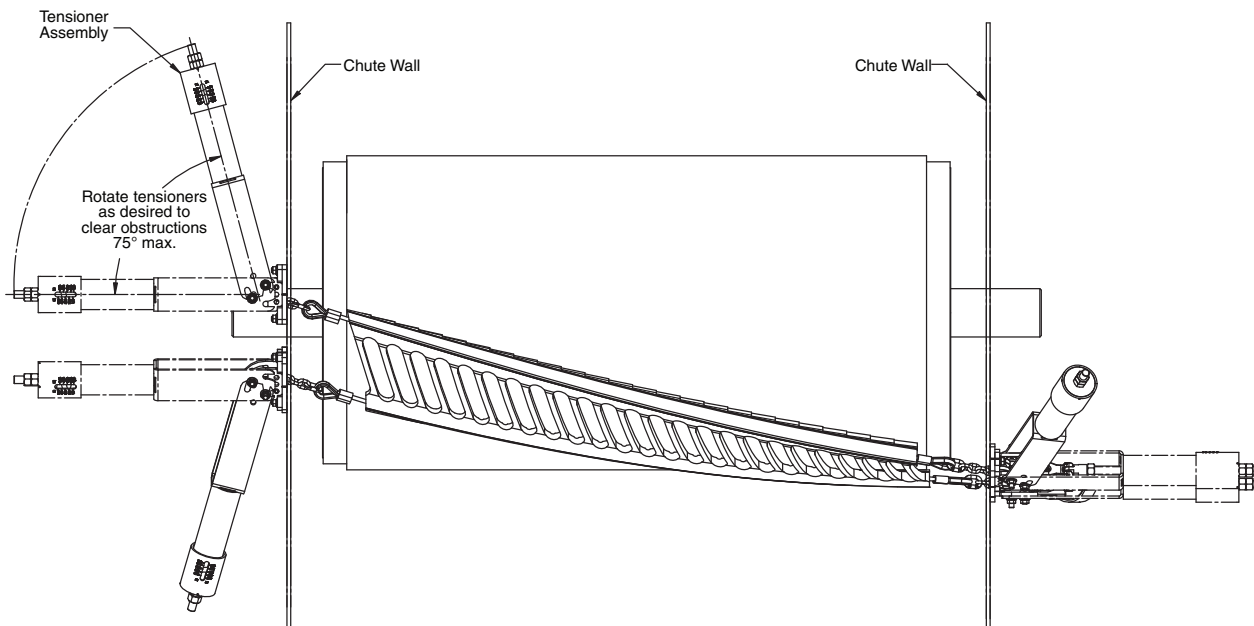
Preferred Mounting Location for CleanScrape® Large and HD Cleaners

Cleaner assembly with the tensioner at the bottom is not the preferred installation position.  
Use only when no other options are available.



Bottom Side Tensioner Mounting for CleanScrape® Large and HD Cleaners

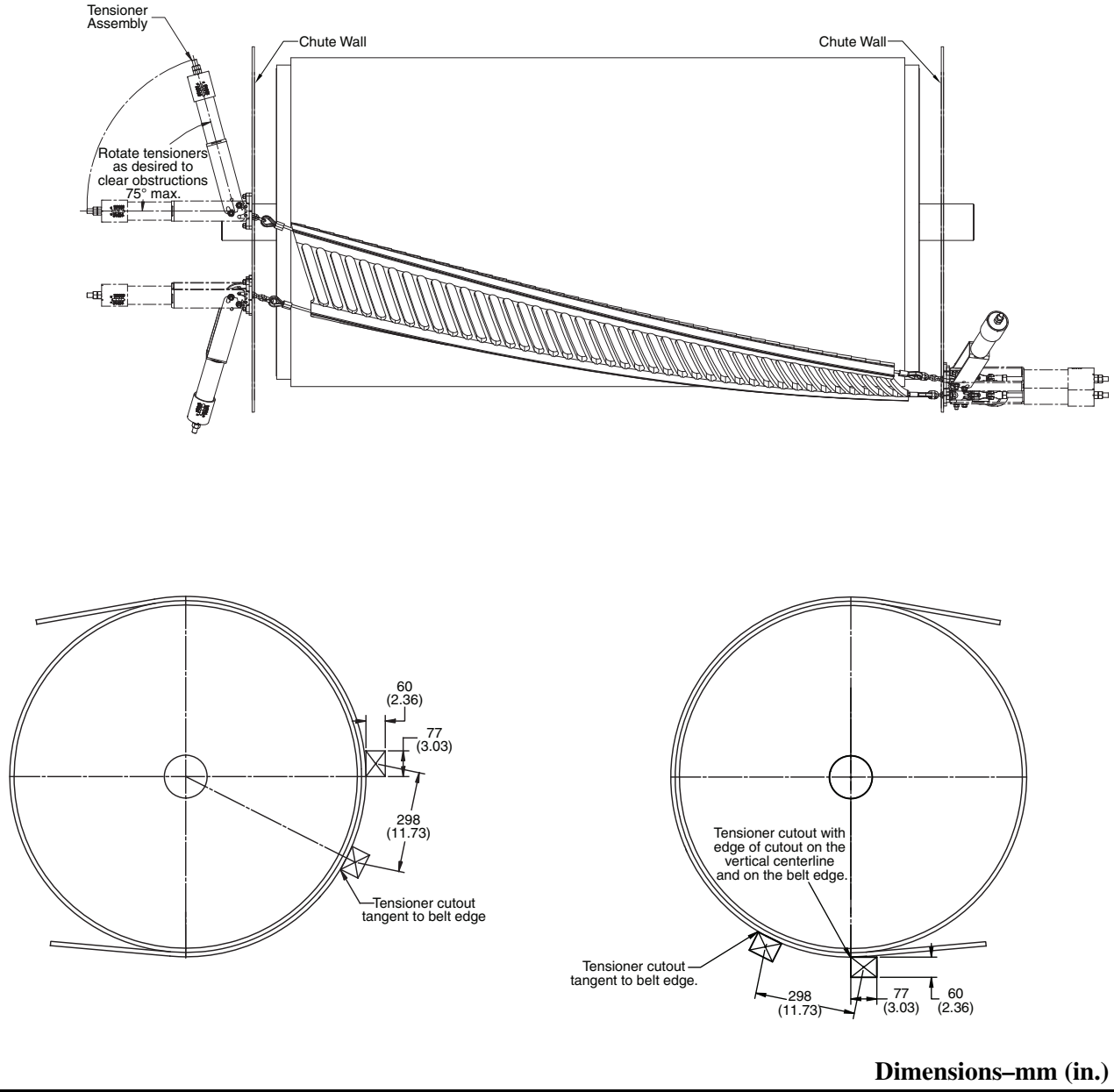
This assembly does not use a fixed point bracket.  
 Two tensioners are installed on the operator side chute wall  
 and two tensioners are installed on the far side chute wall.



Dimensions—mm (in.)

**Mounting Location for CleanScrape® Medium Cleaner Requiring Tensioners on Both Sides**

This assembly does not use a fixed point bracket.  
 Two tensioners are installed on the operator side chute wall  
 and two tensioners are installed on the far side chute wall.

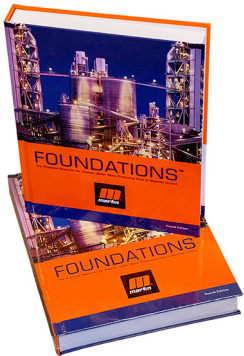


**Mounting Location for CleanScrape® Large and HD Cleaners  
 Requiring Tensioners on Both Sides**



*Any product, process, or technology described here may be the subject of intellectual property rights reserved by Martin Engineering Company. Trademarks or service marks designated with the ® symbol are registered with the U.S. Patent and Trademark Office and may be proprietary in one or more countries or regions. Other trademarks and service marks belonging to Martin Engineering Company in the United States and/or other countries or regions may be designated with the “TM” and “SM” symbols. Brands, trademarks, and names of other parties, who may or may not be affiliated with, connected to, or endorsed by Martin Engineering Company, are identified wherever possible. Additional information regarding Martin Engineering Company’s intellectual property can be obtained at [www.martin-eng.com/trademarks](http://www.martin-eng.com/trademarks).*

# **Problem Solved™** ***GUARANTEED!***



*For nearly 30 years, Martin Engineering's Foundations™ Books have taught industry personnel to operate and maintain clean and safe belt conveyors. The Foundations™ Book, fourth edition, focuses on improving belt conveyors by controlling fugitive material. "The Practical Resource for Total Dust and Material Control," is a 576-page hard cover volume that provides information of value to industries where the efficient handling of bulk materials is a key to productivity and profitability.*

*Expanding upon the book, our Foundations™ Training Program addresses the design and development of more productive belt conveyors, and is offered in three customizable seminars. Attendees gain a better understanding of conveyor safety and performance, helping to justify upgrade investments and increase profitability.*



## **Martin Engineering USA**

One Martin Place  
Neponset, IL 61345-9766 USA  
800 544 2947 or 309 852 2384  
Fax 800 814 1553  
[www.martin-eng.com](http://www.martin-eng.com)

**COMPANY WITH  
QUALITY SYSTEM  
CERTIFIED BY DNV GL  
= ISO 9001 =**