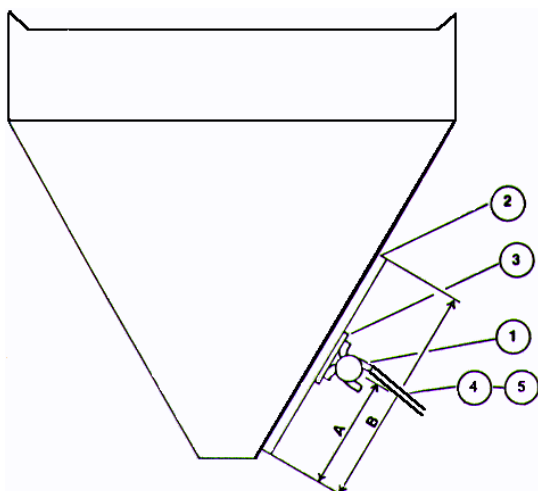


Operating and Installation Instructions for ARN Series Vibrator Mounting

The most common mistake made when mounting a vibrator is that the mounting is not rigid enough, thereby allowing a section of the container to which the vibrator is mounted to oilcan. This not only reduces the efficiency of the vibrator but also is the main cause of structural damage.

Weld mounting plate to channel and drill & tap holes for the selected vibrator. Weld mounting channel to the hopper or bin. Skip or stitch weld the channel. Weld 3" or 4", skip 2" etc. **Most important do not weld first & last 1" off ends of channels.** Bolt vibrator to mounting plate using internal lock washers (shake proof). Tighten bolts and run vibrator for approx. 30 seconds and retighten bolts if necessary. After this has been done the bolts should not loosen.

Note: Increase hose one size if length is greater than 20 ft.



A = 1/3 of the length of the slope portion of the hopper.

B = At least A" x 2 (Although it is preferable that the channel extend the full length of the slope portion).

1 Model #	2 Mounting Channel	3 Plate	4 Hose	5 Parker Fitting	Hole Center	Bolt Size
ARN-35	2" x 1" x 3/16" x B"	2" x 1/2" x 6"	3/8" ID	125HB-6-4	4"	1/2" UNC x 1-1/2"
ARN-45	2" x 1" x 3/16" x B"	2" x 1/2" x 6"	3/8" ID	125HB-6-4	4"	1/2" UNC x 1-1/2"
ARN-75	4" @ 6.25 lb/ft	4" x 1" x 9"	1/2" ID	125HB-8-8	6"	5/8" UNC x 2"

MAINTENANCE

The ARN series has been designed to cover a multitude of applications and is available in four sizes. The simple ring type construction gives years of efficient trouble free operation. They require no lubrication, periodic cleaning may be required, just use paint thinner and blow it though the unit to remove oil build up.



Martin Engineering USA
 3600 Cougar Drive
 Peru, IL 61354 USA
 855 394 4885
 Fax 800 814 1553
 www.martin-eng.com

**COMPANY WITH
 QUALITY SYSTEM
 CERTIFIED BY DNV GL
 = ISO 9001 =**