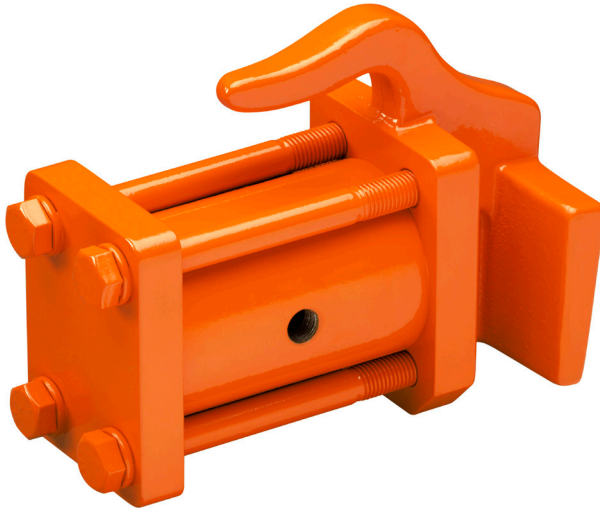


Martin® Impacting Railcar Vibrator



FEATURES

- Hardened piston
- Low air consumption
- Produces uniform directional force

NOTES

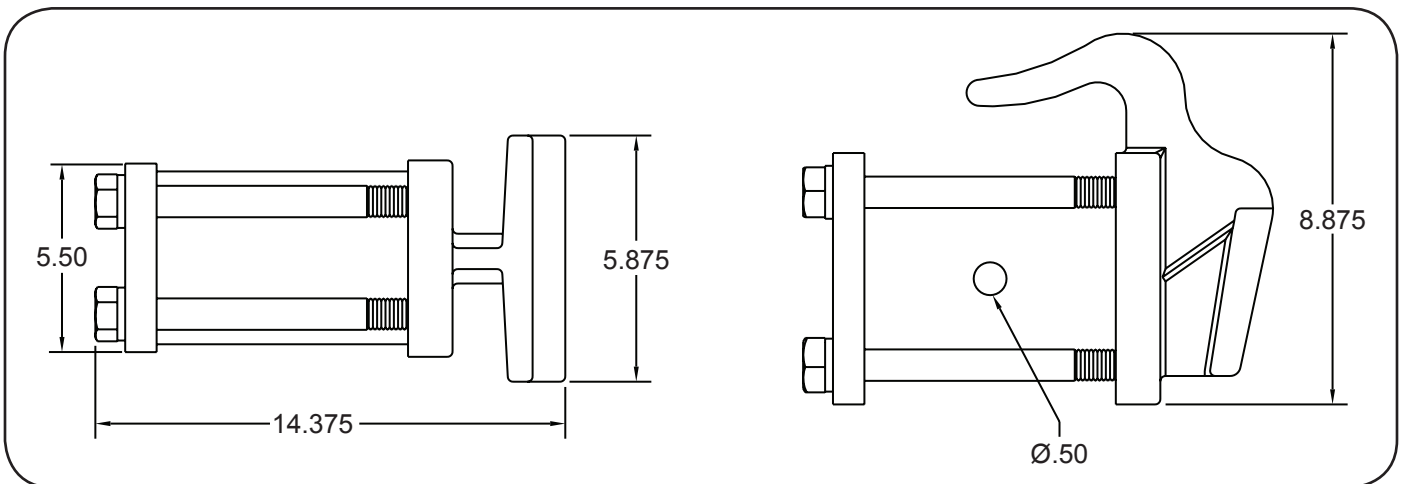
For extended life and optimum performance the air source should be filtered, regulated (80 psi max) and lubricated (1 - 2 drops/min) within 25ft of the vibrator.

ACCESSORIES

Description	Part Number
Female Wedge Bracket (LBF)	12735
Control Line Kit	39504
Air Motor Oil (qt)	14766

SPECIFICATIONS

Model	P/N	Piston	Air Pressure	CFM	VPM	Force	Weight
Martin® 4432 Railcar Vibrator	893210	4 in.	80 psi	40	1900	1906 lbs	69 lbs



Martin Engineering USA
 One Martin Place
 Neponset, IL 61345-9766 USA
 800 544 2947 or 309 852 2384
 Fax 800 814 1553
 www.martin-eng.com

**COMPANY WITH
 QUALITY SYSTEM
 CERTIFIED BY DNV
 = ISO 9001:2008 =**