

Cougar® Heavy Duty Rotary Electric Vibrator Series



FEATURES

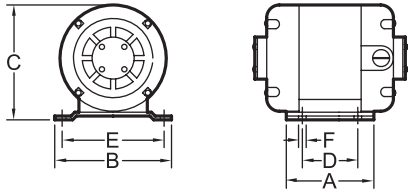
- Wide Range of Force Outputs, Speed, and Voltage
- Single Phase includes Overload/ Current Protection
- Triple Dipped Shock Resistant Windings
- Sealed Units for Outdoor Environment
- Oversized Bearings Lubricated for Life

Specify Cougar for:

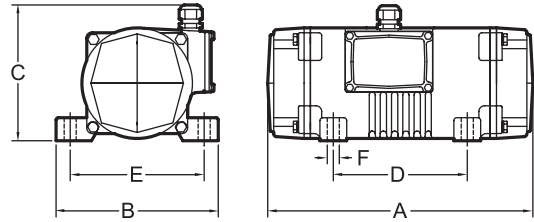
- Cost effective solutions
- Expert technical assistance
- Complete service and support

TECHNICAL DATA SHEET

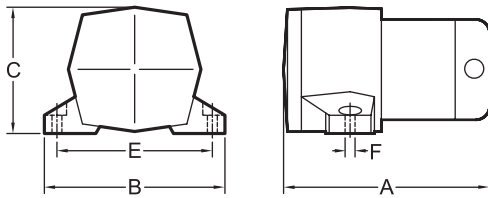
SINGLE PHASE & DC



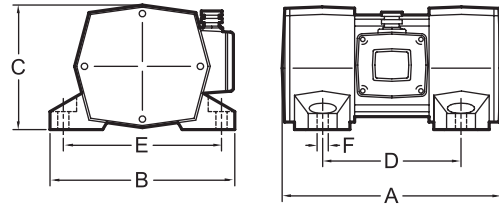
D1-15



D1-500



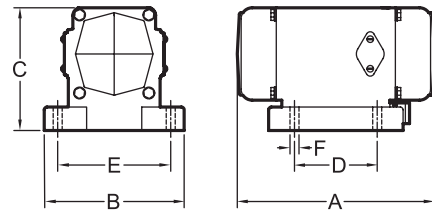
U1-500



D1-950

DIMENSIONS (inch)

Model	A	B	C	Bolt Pattern		Bolt Size	Weight lbs
				D	E	F	
D1-15	4.00	4.500	3.625	2 3/8	3 3/4	1/4	3
D1-500	11.500	7.750	6.000	6	5 1/2	3/8	24
D1-950	10.750	9.875	6.375	6	8	1/2	47
U1-500	7.500	6.750	4.625	—	5 1/2	3/8	14
U1-1600	9.063	6.375	5.563	3 3/4	5	3/8	23



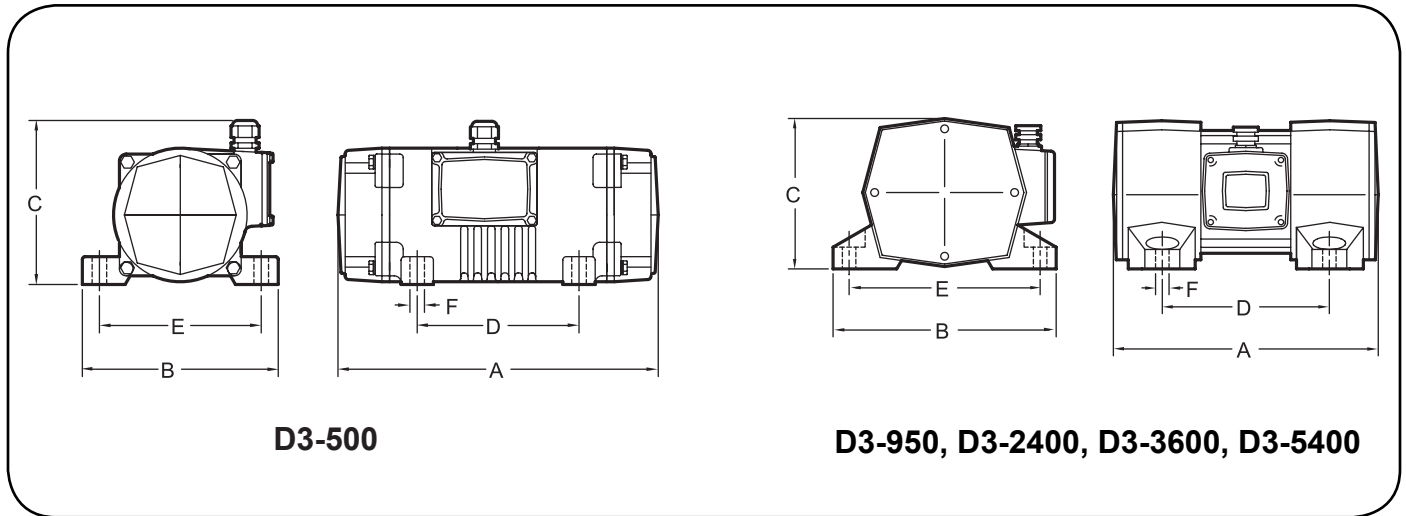
U1-1600

PERFORMANCE DATA

Model	In. Lbs.	RPM	Force Lbs.	Amps		HP
				115 Volt	230 Volt	
D1-15	0.05	3200	15	0.5	—	1/100
D1-500	1.41	3450	475	3.6	1.8	1/3
D1-950	2.80	3450	950	4.3	2.5	1/3
U1-500	0.22	9000	500	3.7	—	1/4
U1-1600	0.78	9000	1799	12.0	—	1/3

TECHNICAL DATA SHEET

THREE PHASE



D3-500

D3-950, D3-2400, D3-3600, D3-5400

DIMENSIONS (inch)

Model	A	B	C	Bolt Pattern		Bolt Size	Weight lbs
				D	E	F	
D3-500	11.500	7.750	6.000	6	5 ½	⅜	20
D3-950	10.750	9.875	6.375	6	8	½	45
D3-2400	13.375	12.375	8.250	9	10	¾	79
D3-3600	14.500	12.375	8.250	9	10	¾	96
D3-5400	20.000	12.375	8.250	12	10	¾	135

PERFORMANCE DATA

Model	In. Lbs.	RPM	Force Lbs.	Amps			HP
				230 Volt	460 Volt	575 Volt	
D3-500	1.41	3450	475	0.80	0.40	0.30	⅓
D3-950	2.80	3450	950	1.10	0.60	0.40	⅓
D3-2400	7.00	3450	2400	3.20	1.60	1.30	1
D3-3600	10.60	3450	3600	3.20	1.60	1.30	1
D3-5400	16.00	3450	5400	8.40	4.20	3.40	3



Martin Engineering USA
 One Martin Place
 Neponset, IL 61345-9766 USA
 800 544 2947 or 309 852 2384
 Fax 800 814 1553
 www.martin-eng.com

**COMPANY WITH
 QUALITY SYSTEM
 CERTIFIED BY DNV
 = ISO 9001:2008 =**

COUGAR
VIBRATION SOLUTIONS

Problem Solved™ GUARANTEED!

Form No. L3843-02/14
 © Martin Engineering Company 2012, 2014