

Martin® SHD Cleaner



Martin® SHD Cleaner with Spring Link Tensioner

Built for the widest, fastest, most heavily-loaded belts in the world, including yours....

Advanced Engineering and Formidable Construction Mean Effective Cleaning, Low Maintenance, and Long Life, Even Under the World's Most Punishing Conditions.

The [Martin® SHD Cleaner](#) was developed for effective belt cleaning with minimal maintenance and extended wear life. The Martin® SHD Cleaner has been proven on belts up to 120 in. (3000 mm) wide and speeds up to 1500 fpm (7.5 m/sec), carrying loads up to 300,000 tons per day. For consistent cleaning and long maintenance intervals, the Martin® SHD Cleaner is right for your conditions.

BENEFITS

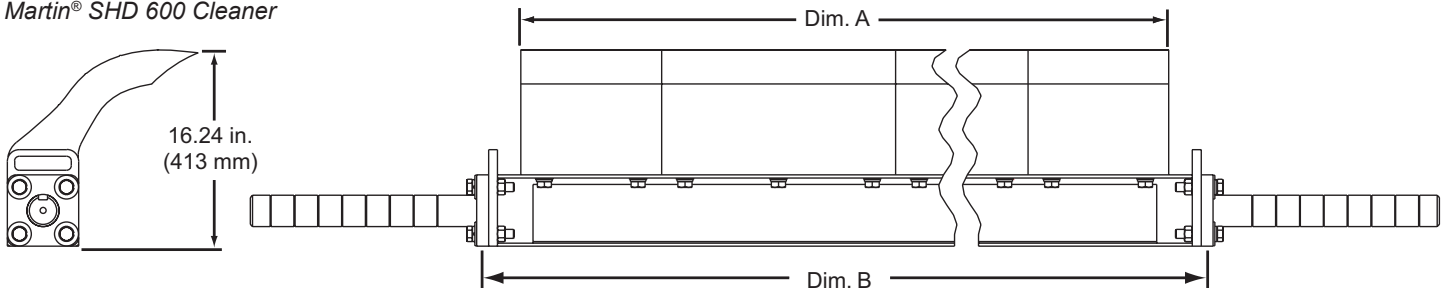
- Massive Blades**
 Blades are thick and robust to resist abuse and dissipate heat for extended wear life. Martin® SHD 1200 blades provide up to 12 in. (305 mm) of wearable material; Martin® SHD 600 blades provide 10.5 in. (207 mm).
- Martin® CARP Constant Angle Blade Design**
 Means continuous effective cleaning across all stages of blade life.
- Structural Steel Beam Construction**
 No more bent mainframes, even with high tonnages and large lumps.
- System Engineering**
 Design of cleaner and tensioner as one unit means constant, effective cleaning with reduced service requirements.
- Reduced Maintenance**
 No need for re-tensioning or cleaner adjustment for the life of the blade, which reduces labor costs and downtime.
- Urethane Options**
 Choose blades from Standard (Orange) or High-Performance (Brown) Urethane. Both materials are MSHA-accepted (IC-95/6) for use in underground mining.
- Guaranteed Blade Life**
 Martin Engineering urethane technology and manufacturing options guarantee service life. The cost of replacement blades will be prorated if guaranteed life is not achieved. To determine the Guaranteed Wear Life for a specific application, see your Martin Engineering representative.

TECHNICAL DATA SHEET

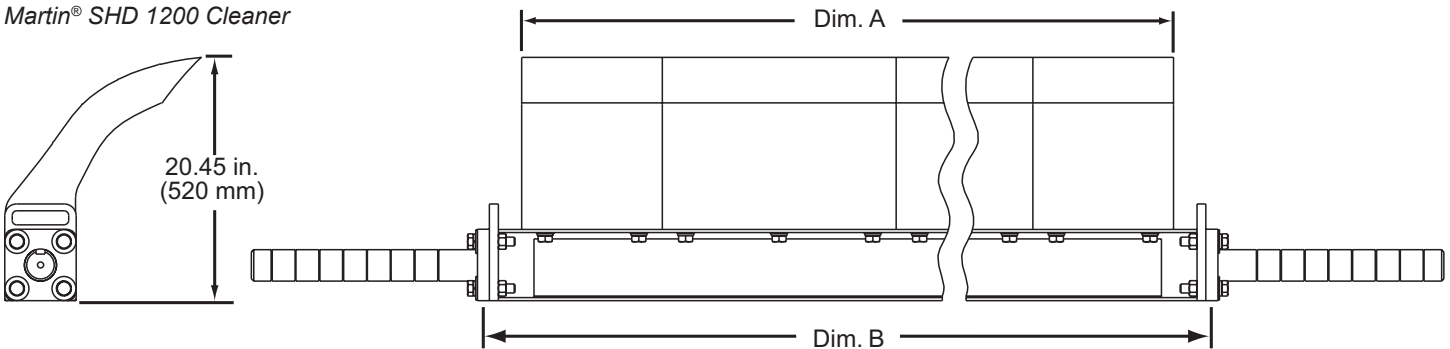
TECHNICAL DATA

Belt Width in. (mm)	Dim A in. (mm)	Dim B in. (mm)	No. of Blades		P/N	Shipping Weight	
			12 in. (300 mm) wide	20 in. (500 mm) wide		SHD 600 lb (kg)	SHD 1200 lb (kg)
42 (1000-1200)	39.38 (1000)	44.81 (1138)	0	2	SH1X-42X39XXXXX	268 (122)	289 (131)
48 (1200-1400)	43.31 (1100)	48.75 (1238)	2	1	SH1X-48X43XXXXX	301 (137)	329 (149)
54 (1400-1600)	51.19 (1200)	56.63 (1438)	1	2	SH1X-54X51XXXXX	335 (152)	369 (167)
60 (1600-1800)	59.06 (1500)	64.50 (1638)	0	3	SH1X-60X59XXXXX	370 (168)	409 (186)
72 (1800-2000)	70.88 (1800)	76.31 (1938)	1	3	SH1X-72X71XXXXX	423 (192)	470 (213)
84 (2000-2200)	78.75 (2000)	84.19 (2138)	0	6	SH1X-84X79XXXXX	458 (208)	510 (231)
96 (2200-2400)	82.69 (2100)	88.13 (2238)	2	3	SH1X-96X83XXXXX	476 (216)	531 (241)
108 (2600-2800)	98.44 (2500)	103.88 (2638)	0	5	SH1X-A8X98XXXXX	546 (247)	611 (277)
120 (2800-3000)	102.38 (2600)	107.81 (2738)	2	4	SH1X-COXA2XXXXX	564 (256)	632 (287)

Martin® SHD 600 Cleaner



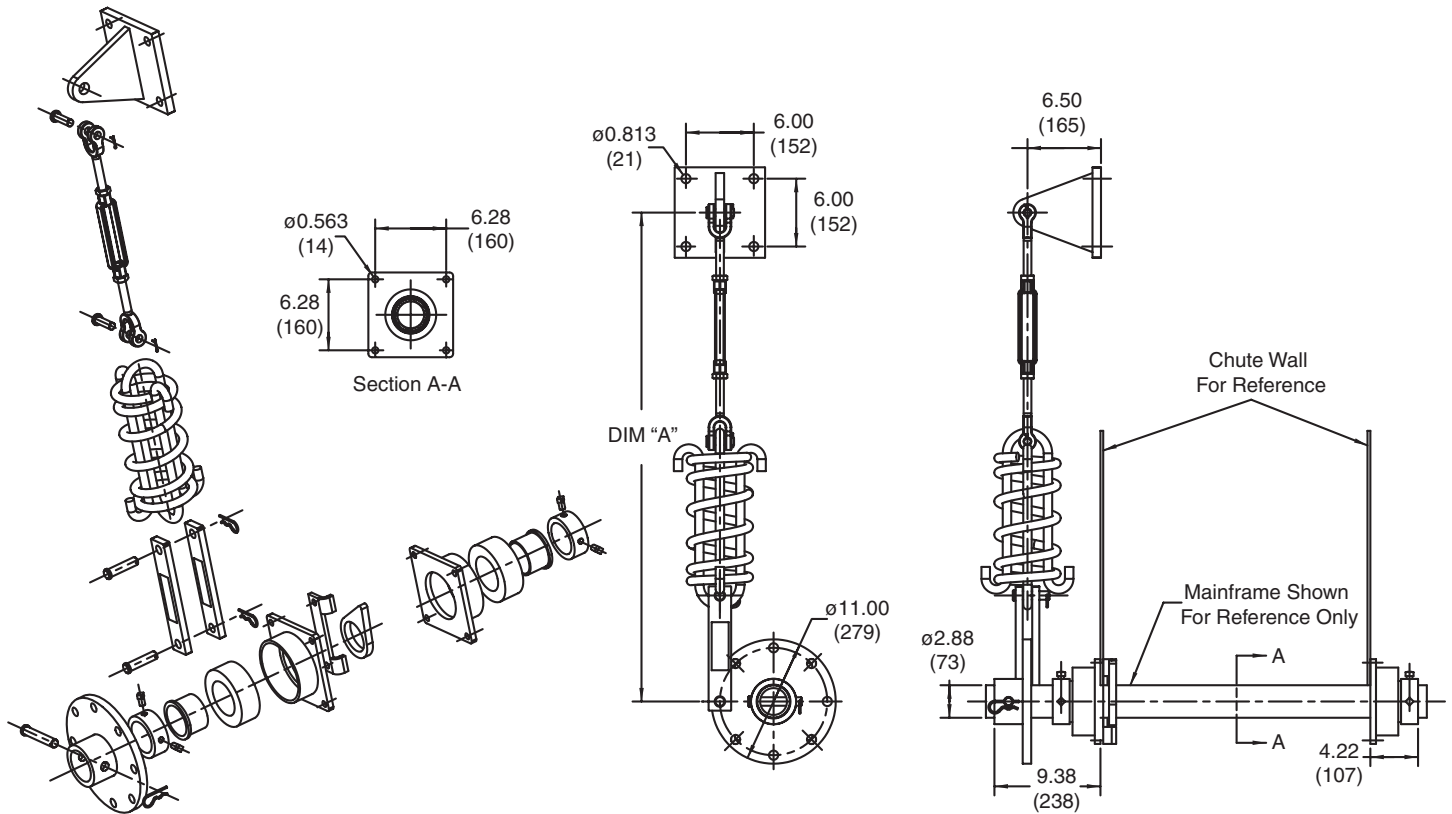
Martin® SHD 1200 Cleaner



TECHNICAL DATA SHEET

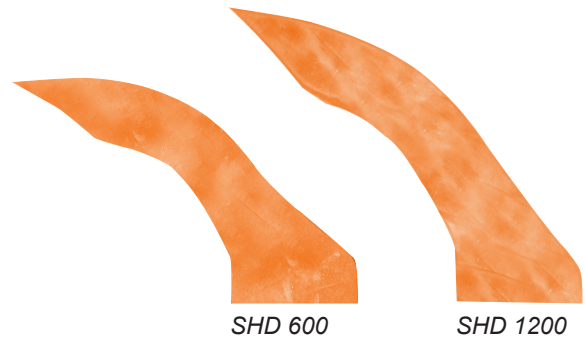
Martin® SHD Spring-Link Tensioner

P/N	Description	Dim "A" (Mounting Height) in. (mm)	
35978-S90X	Spring Link Tensioner ASM 90#	41.25	(1048)
35978-S150X	Spring Link Tensioner ASM 150#	42.25	(1073)
35978-S500X	Spring Link Tensioner ASM 500#	45.59	(1158)
35978-S750X	Spring Link Tensioner ASM 750#	47.00	(1194)



REPLACEMENT BLADES

Blade Width	12 in. (300 mm) P/N	20 in. (500 mm) P/N
SHD 600	35568-12XX	35568-20XX
SHD 1200	35569-12XX	35569-20XX



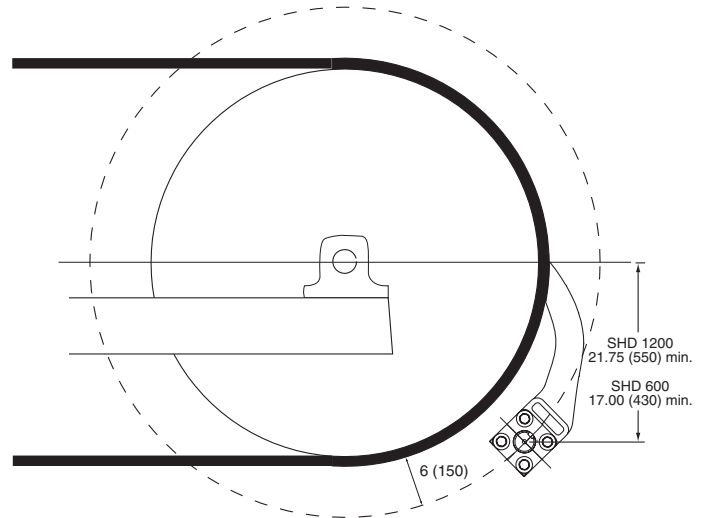
TECHNICAL DATA SHEET

APPLICATION GUIDELINES

The Martin® SHD Cleaner is designed for high-speed, high-tonnage conveyors with large diameter head pulleys. It can be applied on any conveyor with a head pulley larger than 24 in. (600 mm) in diameter with sufficient room in the chute to mount the cleaner.

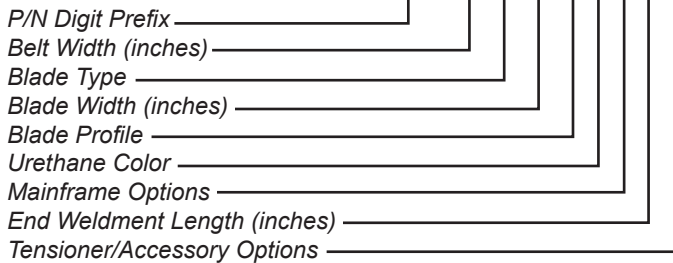
Blade Height

To achieve constant angle geometry to match pulley diameter, blades are available in two heights. Use 1200 Series Martin® SHD Blades for pulleys 48 in. (1200 mm) in diameter and larger. Specify 600 Series Martin® SHD Blades for pulleys smaller than 48 in. (1200 mm) in diameter.



NOMENCLATURE

SH1X-XX X XX X X X X X



BLADE TYPE

- U:** Urethane
- C:** Urethane w/ Ceramic Beads

BLADE PROFILE

- 1:** SHD 1200
- 6:** SHD 600

URETHANE COLOR

- B:** Brown
- O:** Orange
- G:** Green
- Y:** Ceramic/Yellow
- Ø:** No Blades

MAINFRAME OPTIONS

- P:** Painted Orange
- C:** Corrosion Resistant

TENSIONER

- L:** Painted Link Tensioner
- C:** Corrosion Resistant Link Tensioner

END WELDMENTS

- 2:** 20 in.
- 3:** 30 in.
- 4:** 40 in.
- Ø:** No End Weldments



Martin Engineering Australia Pty Ltd.
 102 Christensen Road South
 Stapylton QLD 4207 - Australia
 +61 1300 627 364
 salesau@martin-eng.com | www.martin-eng.com.au

