

Martin® Railcar Opener

The [Martin® Railcar Opener](#) is a powerful solution to improve the efficiency of railcar unloading. It easily opens tough railcar hopper gates, without damage, without a large labor gang, without backbreaking labor, without damage to gate or mechanism, and without high noise.



BENEFITS

- Powerful**
 Provides 2700 lbs (1225 kg) of torque at 90 psi, to open the most stubborn hopper car gate.
- Adjustable Height**
 Change capstan height to fit various car gates and compensate for variations in unloading platforms.
- Adjustable Width**
 Fits through narrow doors, spread to stabilize unit for operation.
- Economical**
 Priced at roughly half the cost of competitive units.
- Adjustable Handle**
 Easily adjusts to suit operator preference.
- Steel Tube Frame**
 Rugged construction provides long life in “real world” conditions.
- Durable Wheels**
 10” x 4” pneumatic wheels maneuver easily over rough rail side conditions.
- Controlled**
 Provides smooth, non-impacting force to open gate without damage.
- Quiet**
 Noise measured at 83 dBa at operator position (one meter from air motor muffler).
- Maneuverable**
 Wheeled cart can be positioned by one worker. One lever rotates wheels 90 degrees. Pivoting wheels maintain contact with traveling capstan.

Keep Unloading Operations Efficient

- No More Stalled Operations Due to Stubborn Gates
- No More Excess Labor Needed to Force Open Gates
- No More Back Injuries From Trying to Muscle Open Gates

ORDER INFORMATION

Part Number	Shipping Weight
38475	314 lbs (143 kg)

SPECIFICATIONS

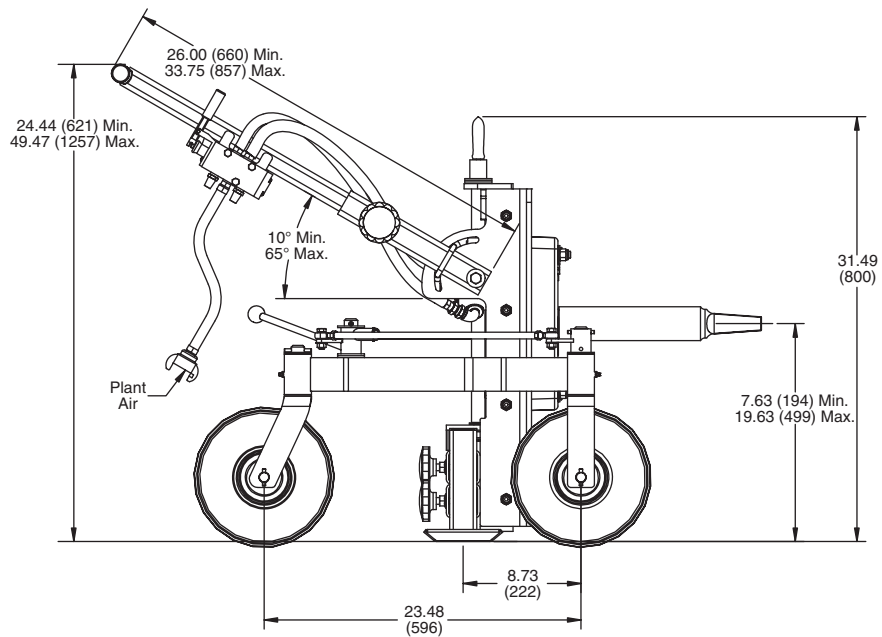
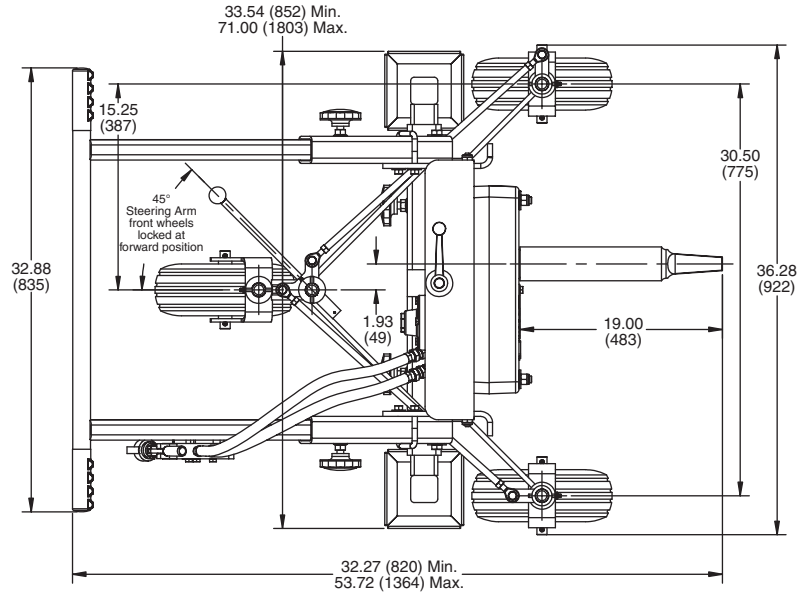
Air Consumption	20 cfm at 90–120 psi (566 L/min at 6.2– 8.2 bar)
------------------------	---

REPLACEMENT PARTS

Part Number	Description
30913-06	Air Motor Repair Kit

TECHNICAL DATA SHEET

DIMENSIONS—in. (mm)



Martin Engineering Australia Pty Ltd.
20 Ern Harley Dr - Burleigh Heads, QLD, 4220 - Australia
1300 627 364
www.martin-eng.com.au



Problem Solved™ GUARANTEED!

Form No. L3534-03/16
© Martin Engineering Company 2000, 2016