

# Martin® QC1+™ Cleaner PV with One-Piece Mainframe



The [Martin® QC1+™ Cleaner PV](#) introduces the next generation of belt cleaning technology.

A truly revolutionary innovation in belt cleaning design, the QC1+™ Cleaner PV provides the cleanest belt and longest blade life—at the lowest cost.

## SPECIFICATIONS

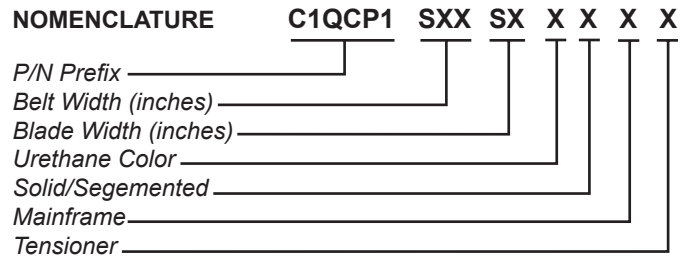
Maximum Belt Speed fpm (m/sec)	Maximum Service Temperature	Pulley Diameter in. (mm)	Mounting Location in. (mm)
500 (2.54)	160°F (70°C) Continuous 180°F (82°C) Intermittent	12–16 (300–400)	2.75 (70)

High-performance urethanes are available; see your Martin Engineering representative for assistance in specifying non-standard products. Refer to Form No. L3375.

## FEATURES & BENEFITS

- Same ease of installation as original Martin® QC1™ Cleaners, maintaining standard installation and service costs.
- Utilizes Martin's highly effective, patented CARP profile, ensuring the highest level of cleaning performance expected from a Martin® Belt Cleaner.

## NOMENCLATURE



### BELT WIDTH

- 000:** No Blade
- SXX:** XX indicates belt width in inches (18 thru 72)

### BLADE WIDTH

- S2:** 2 Inches less Belt Width
- S6:** 6 Inches less Belt Width

### URETHANE COLOR

- 0:** No Blade
- B:** Brown
- T:** Tan
- G:** Green
- N:** Navy Blue
- O:** Orange

### SOLID/SEGMENTED

- 0:** No Blade
- 2:** Segmented Blade with Slots
- 3:** Solid Blade with Slots

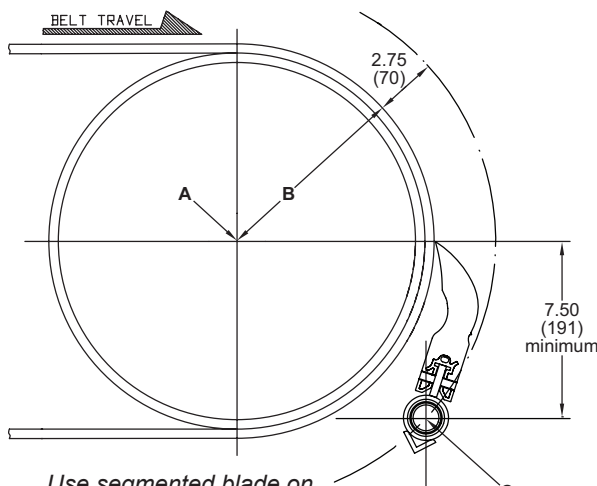
### MAINFRAME

- P:** Painted Steel with Aluminum Blade Insert
- E:** Painted Steel with Extended Torque Tubes
- F:** Stainless Steel
- Z:** Stainless Steel with Extended Torque Tubes
- T:** Painted Steel with Stainless Steel Blade Insert

### TENSIONER

- Blank:** No Tensioner
- O:** Martin® Twist Tensioner (P/N 31443)
- F:** Martin® Twist Tensioner Stainless Steel (P/N 31443-SS)
- S:** Martin® Spring Tensioner (P/N 38180)
- P:** Martin® Spring Tensioner Stainless Steel (P/N 38180-SS)
- C:** Martin® Cable Spring Tensioner (P/N 37944)
- M:** Martin® Cable Spring Tensioner with mount plate (available for belt widths up to 48")

## MOUNTING LOCATION



Use segmented blade on crowned head pulley.

# TECHNICAL DATA SHEET

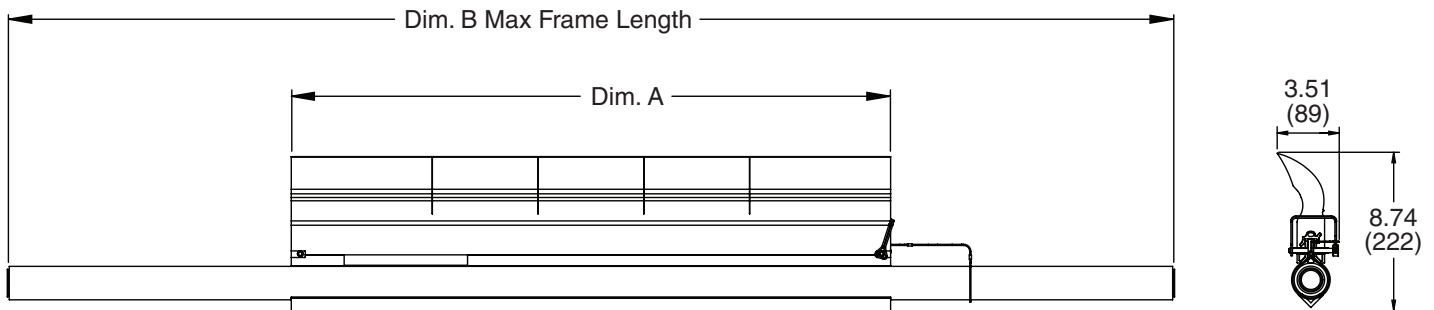
## DIMENSIONS -- in. (mm)

Belt Width in. (mm)	Mainframe Length (B) in. (mm)
18 (400-500)	48 (1219)
24 (500-650)	54 (1372)
30 (650-800)	60 (1524)
36 (800-1000)	66 (1676)
42 (1000-1200)	72 (1829)

Belt Width in. (mm)	Mainframe Length (B) in. (mm)
48 (1200-1400)	78 (1981)
54 (1400-1600)	84 (2134)
60 (1600-1700)	90 (2286)
66 (1700-1800)	96 (2438)
72 (1800-2000)	102 (2591)

Note: Dimension A equals belt width minus either 2 or 6 inches.

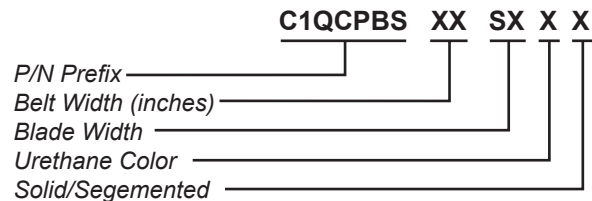
Dual Tensioners are required for belt widths 54 in. (1400 mm) and greater.



## ACCESSORIES

Part	P/N
Martin® Steel Inspection Door	CYA-1218
Martin® Hanger Mount Standard Assembly	27382

## REPLACEMENT BLADE NOMENCLATURE



## FREQUENTLY ASKED QUESTIONS

My Pre-Cleaner keeps flipping through.  
*The mounting location may be too far away from the belt. Relocate to the proper dimension. Replace the mainframe or end weldments if they are bent.*

My Pre-Cleaner is wearing more in the center of the blade.  
*The blade is too wide for this application. Replace with a shorter length blade.*

## BELT WIDTH

**SXX:** XX indicates belt width in inches (18 thru 72)

## URETHANE COLOR

**B:** Brown  
**T:** Tan  
**G:** Green  
**N:** Navy Blue  
**O:** Orange

## BLADE WIDTH

**S2:** 2 Inches less Belt Width  
**S4:** 4 Inches less Belt Width\*  
**S6:** 6 Inches less Belt Width  
**S8:** 8 Inches less Belt Width\*  
 \*Blade Clamp Kit Required

## SOLID/SEGMENTED

**0:** Segmented without Slots  
**1:** Solid without Slots  
**2:** Segmented with Slots  
**3:** Solid with Slots  
**4:** Segmented without Slots & with Blade Clamp Kit  
**5:** Solid without Slots & with Blade Clamp Kit



**Martin Engineering Australia Pty Ltd.**  
 20 Ern Harley Dr - Burleigh Heads, QLD, 4220 - Australia  
 1300 627 364  
[www.martin-eng.com.au](http://www.martin-eng.com.au)

