

# Martin® N2 Twist Tensioner



Keep the pressure on with this smart and rugged belt cleaner tensioning device from Martin Engineering.

The **Martin® N2 Twist Tensioner** supplies consistent pressure to keep blades against the belt for effective cleaning, regardless of the state of blade wear.

Available for belt widths up to and including 48”.

## BENEFITS

### • Self-Relieving

If cleaner blades are “pulled through,” the tensioner’s internal self-relieving coupling rolls over.

### • Guaranteed

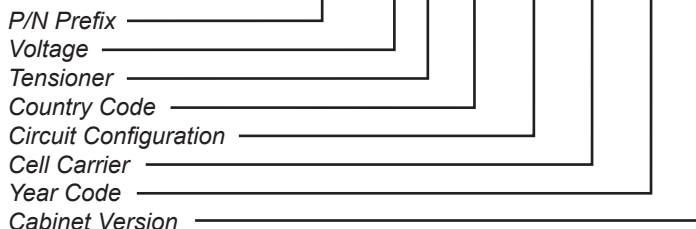
Like all Martin® Products, the Martin® N2 Twist Tensioner is covered by Martin Engineering’s *Absolutely, Positively, No Excuses, Guarantee.*

## FEATURES

- Automatically maintains precise cleaning pressure throughout the entire life of the blade without maintenance.
- Alerts when the blade is at the end of its life.
- Serviceable with or without Martin® Smart Device Manager App.
- Rechargeable battery with a six month life.
- Includes 16 feet of conduit and all necessary fittings and cables.

## CONTROL PANEL

NOMENCLATURE **EC1TQ X X XX XX XX XX X**



**COUNTRY CODE:**  
**US:** United States

**CELL CARRIER**  
**VZ:** Verizon

**VOLTAGE:**  
**1:** 12VDC

**YEAR CODE**  
**19:** 2019

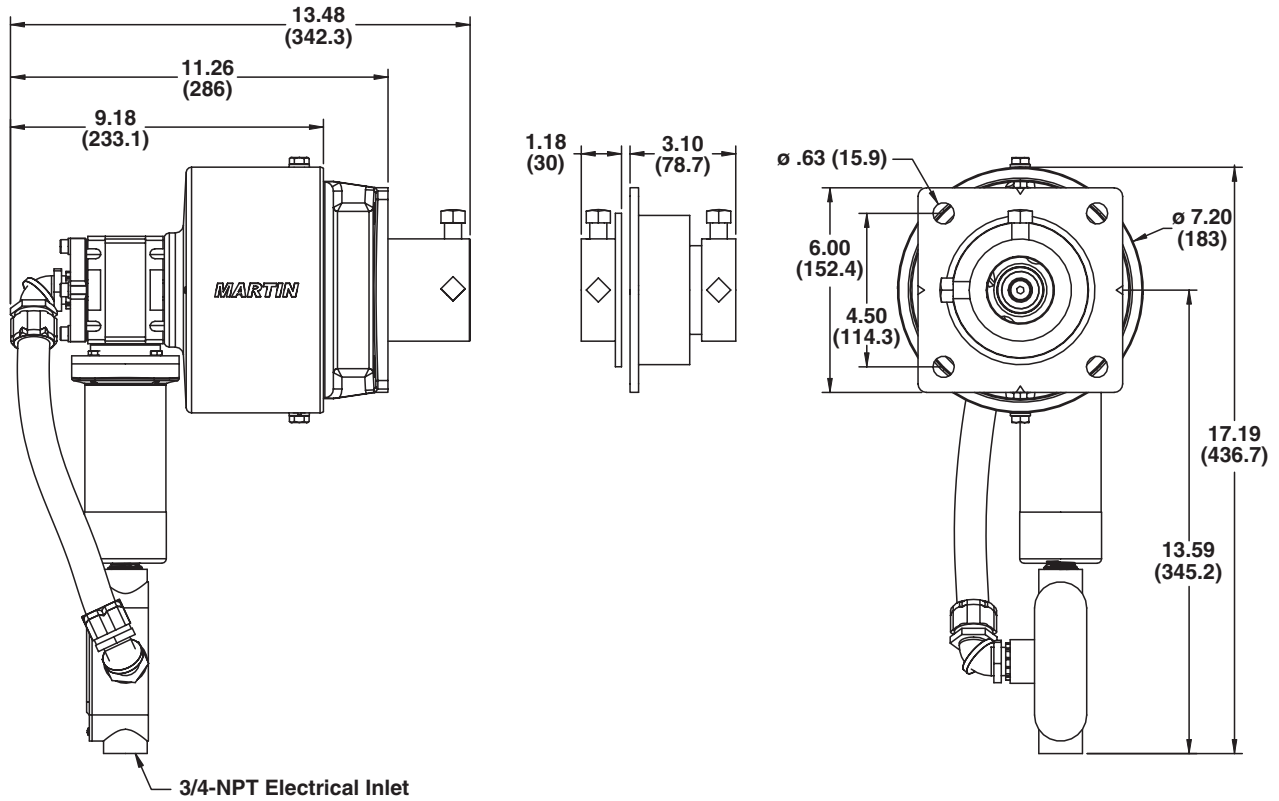
**TENSIONER**  
**0:** Without tensioner  
**T:** Tensioner

**CABINET VERSION**  
**1:** Version 1

**CIRCUIT CONFIGURATION:**  
**00:** Bluetooth

# TECHNICAL DATA SHEET

## DIMENSIONS



## REPLACEMENT PARTS

Description	P/N
9 Volt Battery	EG10006
12 Volt Battery	EG10013

## ACCESSORIES

Description	P/N
Control Panel Mount	EC1TQP025
Wall Charger	EG10023



**Martin Engineering Australia Pty Ltd.**  
 102 Christensen Road South  
 Stapylton QLD 4207 - Australia  
 +61 1300 627 364  
[salesau@martin-eng.com](mailto:salesau@martin-eng.com) | [www.martin-eng.com.au](http://www.martin-eng.com.au)

