

Martin® Inspection Door HD

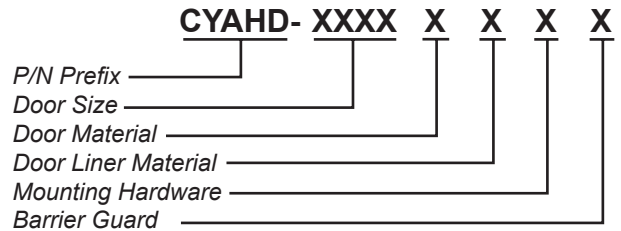


Available in mild steel or stainless steel, the [Martin® Inspection Door HD](#) provides quick and easy access to belt cleaners and other components inside chutes and enclosures for inspection or service.

BENEFITS

- Dust-Tight Seal**
 Rubber seal is protected by a steel channel and prevents material escape.
- Built for Tough Conditions**
 Steel door withstands typical positive and negative pressure applications.
- Simple Installation**
 Door can be bolted or welded to enclosure wall. Bolt hole pattern matches Martin® Inspection Doors.
- Available with Wear Liner**
 Door can be ordered with AR500 wear liner welded to the inside.
- “Low-Profile” Design**
 Door height of 2.94 inches (75 mm) with handle in latched position.
- Lockable Latch**
 All doors come standard with a lockable latch.
- Matches Your Application**
 Six sizes available, from 9 X 12 to 24 X 24 inches (229 X 305 to 610 X 610 mm). Custom sizes are not available.

NOMENCLATURE



DOOR SIZE
 Approximate door size in inches (width x height)

DOOR MATERIAL
C: 304 Stainless Steel
S: 316 Stainless Steel
Ø: Painted Mild Steel

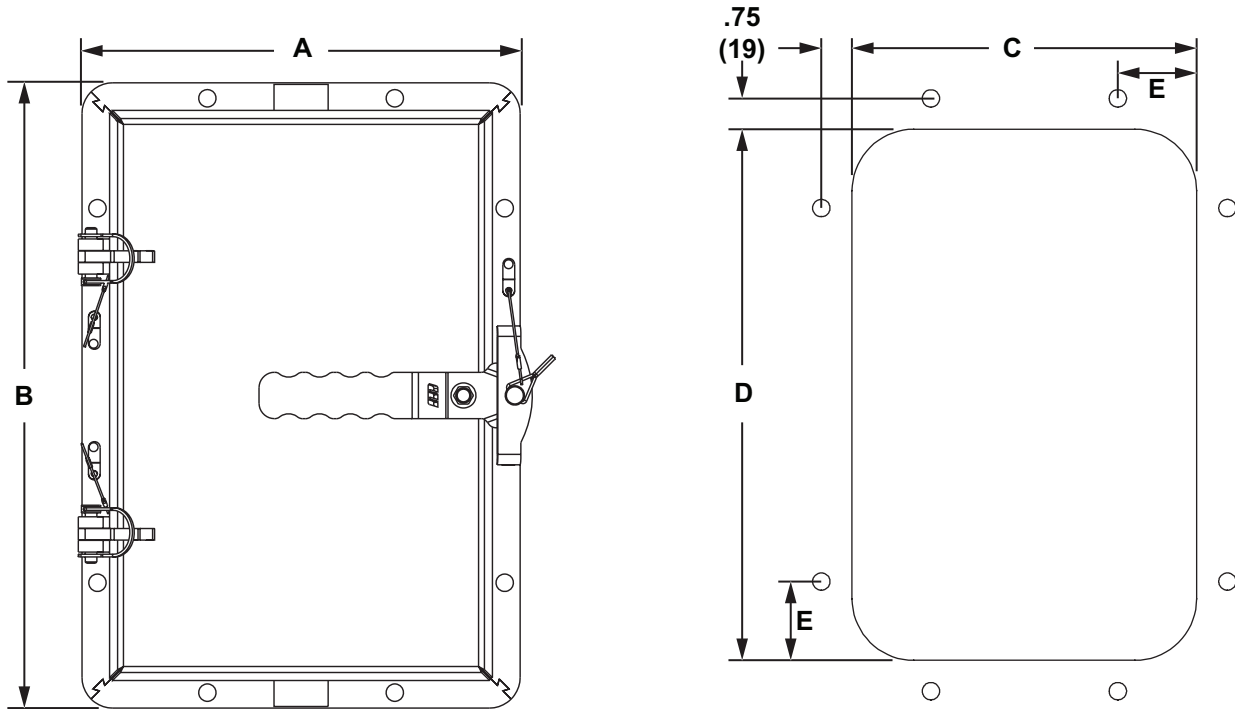
DOOR LINER MATERIAL
5: AR500
Ø: No Liner

MOUNTING HARDWARE
M: With Mounting Hardware
Ø: Without Mounting Hardware

BARRIER GUARD
G: With Barrier Guard
Ø: Without Barrier Guard

TECHNICAL DATA SHEET

Martin® Steel Inspection Door HD Part Numbers						
	CYAHD-0912	CYAHD-1214	CYAHD-1218	CYAHD-1818	CYAHD-1824	CYAHD-2424
"A"	11.25 (286)	14.19 (360)	14.19 (360)	20.25 (514)	20.25 (514)	25.94 (659)
"B"	14.38 (365)	16.25 (413)	20.25 (514)	20.25 (514)	26.19 (665)	25.94 (659)
"C"	8.75 (222)	11.69 (297)	11.69 (297)	17.75 (451)	17.75 (451)	23.44 (595)
"D"	11.88 (302)	13.75 (349)	17.75 (451)	17.75 (451)	23.69 (602)	23.44 (595)
"E"	2.81 (71)	2.81 (71)	2.81 (71)	2.81 (71)	4.81 (122)	4.81 (122)



Martin Engineering Australia Pty Ltd.
 102 Christensen Road South
 Stapylton QLD 4207 - Australia
 +61 1300 627 364
 salesau@martin-eng.com | www.martin-eng.com.au

**COMPANY WITH
 QUALITY SYSTEM
 CERTIFIED BY DNV
 = ISO 9001:2008 =**