

Martin® Dust Bags



Martin® Dust Bags provide passive relief for positive air pressure produced at belt conveyor loading zones, preventing the escape of airborne dust. Properly applied, these bags can eliminate the need for “Baghouse” Dust Collection systems. Installed in the conveyor cover before the end of the transfer point’s skirted area, Martin® Dust Bags vent air while collecting the dust from that air. When positive air pressure from material flow stops, Martin® Dust Bags collapse, dislodging collected material back onto the conveyor belt. The Martin® Dust Bag is available with a Standard Bag or a Static-Dissipating Bag for use in explosive environments.

Standard Martin® Dust Bag

Standard Martin® Dust Bags provide durable performance and effective dust control without needing a “baghouse” dust collector.

Static-Dissipating Martin® Dust Bag

Designed for use in combustible environments, this dust bag instantly dissipates static charges. The felt-like filter media is interwoven with carbonized fibers. Any static charge is carried to ground without generating a spark. Martin® Static-Dissipating Dust Bags have low electrical resistance in keeping with DIN Standard 54345 Parts 1 and 3.

Martin® Dust Bag Assembly

The Martin® Dust Bag Assembly includes a chute top cover, upright mounting frame, clamp, filter bag, installation hardware, and a rubber dust curtain. An assembly without a chute top cover is also available.

NOTE

Installation of one solid rubber curtain is recommended on each side of each pressure relief bag to direct air through filter.

SPECIFICATIONS

Standard Size	Diameter: 12 in. (300 mm) or 24 in. (600 mm) Height: 72 in. (1800 mm)	
Type	Standard Bag	Static-Dissipating Bag
Permeability	12 in. Bag, 450 cfm (212 l/s) 24 in. Bag, 1000 cfm (472 l/s)	12 in. Bag, 230 cfm (108 l/s) 24 in. Bag, 450 cfm (212 l/s)
Fabric	Satin Finish 100% Nylon	Polyester Needled Felt with 5% Carbonized Fiber (for static dissipation)
Weight	5.4 oz/yard ² (182 g/m ²)	14 oz/yard ² (473 g/m ²)
Temperature Limit	Continuous: 200°F (93°C) Intermittent: 250°F (121°C)	
Bag Cleaning	Bag “self-cleans” by partially collapsing when positive air flow is halted.	
Complete Bag Cleaning (as needed)	Hand launder in cold water and allow to air dry. See Operator’s Manual for specific instructions.	Dislodge accumulated material by beating (similar to a rug). Laundering will void manufacturer’s warranty.
Custom Sizes	Available to fit air flow and clearances of specific transfer points.	

TECHNICAL DATA SHEET

ORDER INFORMATION

Assembly includes chute top cover, upright hanger support and dust curtain.
Extension Sleeve Kit does not include top cover.

NOMENCLATURE

Martin® Dust Bag Assembly

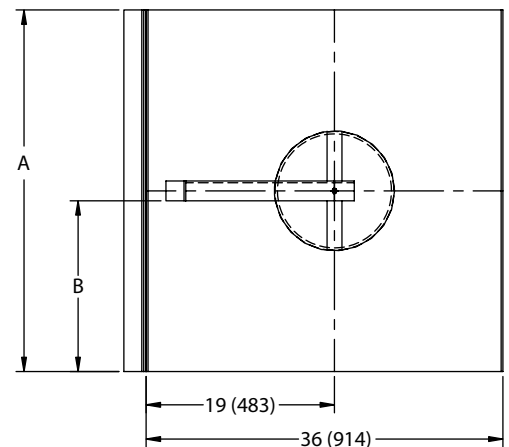
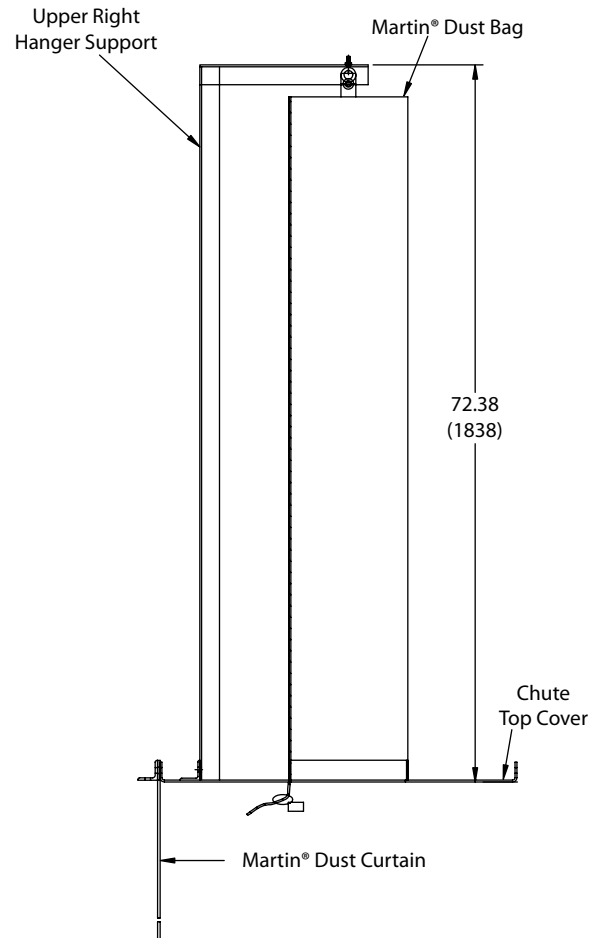
P/N: **XXXXX-XXXXX**
 12" Bag 34839
 24" Bag 34840
 Belt Width (in.)
 Bag Type
Blank—Standard Bag or
SD—Static-Dissipating Bag
K—Extension Sleeve Kit

Replacement Bag

P/N: **XXXXX-XX**
 12" Bag 34825
 24" Bag 34826
 Bag Type
Blank—Standard Bag or
SD—Static-Dissipating Bag

DIMENSIONS

Belt Width in	Dimension A in (mm)	Dimension B in (mm)
18	18.50 (470)	8.25 (210)
24	24.50 (622)	11.25 (286)
30	30.50 (775)	14.25 (362)
36	36.50 (927)	17.25 (438)
42	42.50 (1080)	20.25 (514)
48	48.50 (1232)	23.25 (591)
54	54.50 (1384)	26.25 (667)
60	60.50 (1537)	29.25 (743)
72	72.50 (1842)	35.25 (895)
84	84.50 (2146)	41.25 (1048)
96	96.50 (2451)	47.25 (1200)



Martin Engineering Australia Pty Ltd.
 20 Ern Harley Dr - Burleigh Heads, QLD, 4220 - Australia
 1300 627 364
 www.martin-eng.com.au

