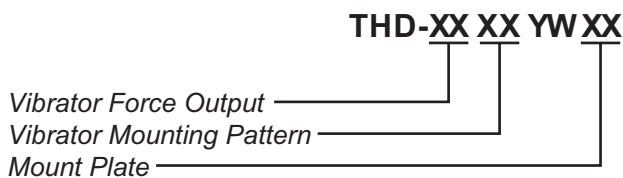


Cougar® THD Vibrators



NOMENCLATURE



VIBRATOR FORCE OUTPUT

- 25:** 2500 lbs
- 16:** 1600 lbs

VIBRATOR MOUNTING PATTERN

- 4M:** Qty 4, 5/8 Bolts, 2.00" x 8.00" Rectangular Pattern
- 2V:** Qty 2, 3/4 Bolts, 8.50" Between Center, In-Line Pattern

MOUNT PLATE

- MO:** Without Mount Plate
- MS:** Steel Mount Plate
- MA:** Aluminum Mount Plate

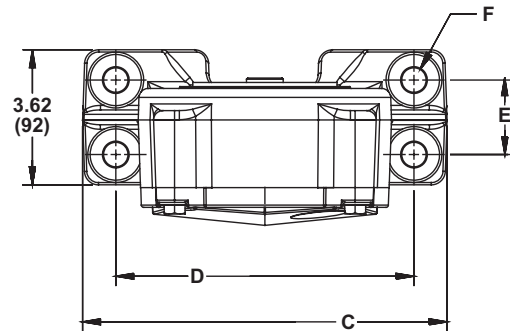
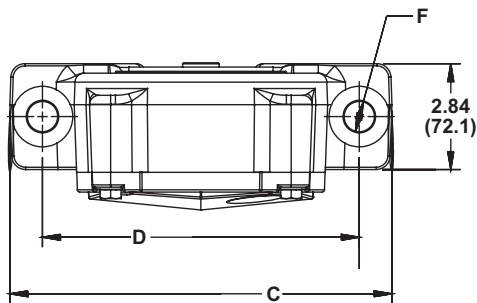
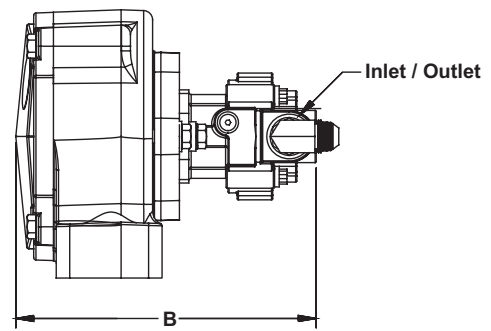
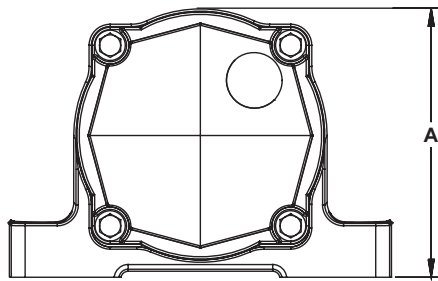
FEATURES

- Built from high-strength aluminum for maximum durability.
- Efficient motor designed for minimal power consumption.
- Low Maintenance
- Designed to create more force per size/weight.
- Variable Speed
- Continuous Duty

Specify Cougar for:

- Cost effective solutions
- Expert technical assistance
- Complete service and support

TECHNICAL DATA SHEET



THD-XXXX-2V MOUNTING PATTERN

THD-XXXX-4M MOUNTING PATTERN

| Model | P/N | A | B | C | Mounting | | Bolt Size | Inlet | Outlet | Weight lbs |
|----------|-----------------|-----|------|-------|----------|---|-----------|-------|--------|------------|
| | | | | | D | E | | | | |
| THD-1600 | THD-16-4M-YW-MO | 7.2 | 8.06 | 10.25 | 8 | 2 | 5/8 | SAE 8 | SAE 8 | 25 |
| THD-1600 | THD-16-2V-YW-MO | 7.2 | 8.06 | 10.25 | 8.50 | — | 3/4 | SAE 8 | SAE 8 | 25 |
| THD-2500 | THD-25-4M-YW-MO | 7.2 | 8.06 | 10.25 | 8 | 2 | 5/8 | SAE 8 | SAE 8 | 25 |
| THD-2500 | THD-25-2V-YW-MO | 7.2 | 8.06 | 10.25 | 8.50 | — | 3/4 | SAE 8 | SAE 8 | 25 |

| Model | In/lbs | VPM | Force | GPM | VPM | Force | GPM | VPM | Force | Max GPM | Max Pressure |
|----------|--------|------|-------|------|------|-------|-------|------|-------|---------|--------------|
| | | | | | | | | | | | |
| THD-2500 | 6.051 | 1000 | 172 | .944 | 2500 | 1074 | 2.359 | 4000 | 2750 | 3.775 | 2000 PSI |

Data from vibrator mounted to a 10,000 lb test block. Frequency and force will decrease on a less rigid mount.



Martin Engineering Australia Pty Ltd.
 20 Ern Harley Dr - Burleigh Heads, QLD, 4220 - Australia
 1300 627 364
www.martin-eng.com.au

