

# Boot-Lift® Railcar Connector



The **Boot-Lift® Railcar Connector** installs on the track flanges. Sponge seals fit securely to the hopper car unloading gates for a clean transfer of material to the under-track conveying system.

## SPECIFICATIONS

|                         |  |
|-------------------------|--|
| <b>Controls</b>         | All assemblies include the appropriate control console.  |
| <b>Air Requirements</b> | 1 cfm (0.47 L/sec) at 90 psi (6.2 bar).<br>Air line should include filter, regulator, and lubricator.  |
| <b>Boot Material</b>    | Standard material is 22 oz. black vinyl-covered cloth. Other materials are available, including polyethylene lined; white hypalon-coated cloth; food-grade polyethylene-lined polypropylene; and flame retardant coated polyester. |

## ACCESSORIES

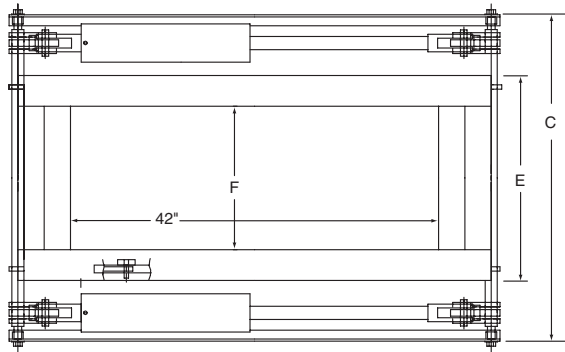
- **TRANSITION FUNNELS**  
These convert various models from double- to single-pocket unloading or from single- to double-pocket unloading. Simply remove the standard sponge seals and install the appropriate transition funnel and adapter sheet.  
DBL Transition Funnel..... P/N 17272  
DBL Adapter Sheet.....P/N DBL-18AS  
Converts DBL and DBL-GATX to SBL; requires DBL Adapter Sheet to fit opening.
- **ADAPTER SHEETS**  
Rugged plywood adapters provide the proper discharge opening to suit various cars. Consult your Martin Engineering representative for specific adapter sheet requirements.  
SBL Adapter Sheet.....P/N SBL-13AS  
SBL Adapter Sheet.....P/N SBL-24AS  
SBL Adapter Sheet.....P/N SBL-30AS  
SBL Adapter Sheet.....P/N SBL-35AS  
SBL Adapter Sheet.....P/N SBL-48AS
- **PNEUMATIC ALIGNER**  
Air-powered aligner provides 8 in. (200 mm) of adjustment—4 in. (100 mm) in either direction—along the track. Remote control; requires only 1 cfm (0.47 L/sec) at 30 psi (2 bar) of air.  
Boot-Lift® Pneumatic Aligner.....P/N 34140
- **MANUAL ALIGNER**  
Simplifies car positioning by allowing manual adjustment of up to 6 in. (150 mm) total—3 in. (75 mm) in either direction—along the track.  
Boot-Lift® Manual Aligner.....P/N 17326
- **CYLINDER COVERS**  
Rugged vinyl-covered cloth covers prevent damage and contamination of air cylinders from material buildup and environmental conditions.  
Lift Cylinder Covers.....P/N 18335  
Spread Cylinder Covers.....P/N 18331
- **FUNNEL COVERS**  
SBL-13.....P/N 39532-CA  
SBL-24.....P/N 19544  
SBL-30.....P/N 34884-CA  
DBL-18/DBLG-18.....P/N 18420
- **FUNNEL GRIZZLY**  
Contact Martin Engineering for more information.
- **REPLACEMENT PARTS**  
Replacement boots, sponge seals, and other components are available; see your Martin Engineering representative for more information.

# TECHNICAL DATA SHEET

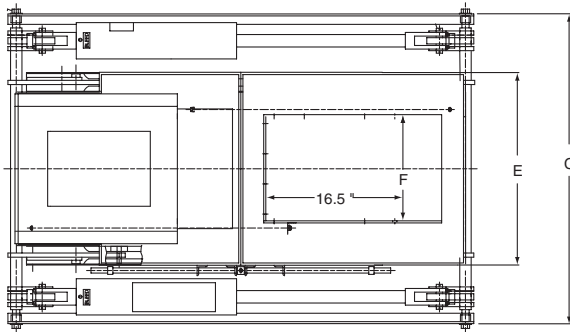
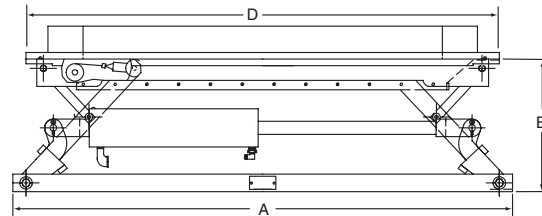
## DIMENSIONS—in. (mm)

| Model       | A         | B           |            | C            | D                       | E           | F<br>Funnel Opening |
|-------------|-----------|-------------|------------|--------------|-------------------------|-------------|---------------------|
|             |           | Extended    | Retracted  |              |                         |             |                     |
| SBL-13      | 57 (1448) | 18.62 (473) | 3.94 (100) | 36.38 (924)  | 54 (1372)               | 23.1 (588)  | 13 (330)            |
| SBL-24      | 57 (1448) | 18.62 (473) | 3.94 (100) | 40.38 (1026) | 54 (1372)               | 29.1 (740)  | 22 (559)            |
| SBL-30      | 57 (1448) | 18.62 (473) | 3.94 (100) | 48.38 (1229) | 54 (1372)               | 37.1 (943)  | 30 (762)            |
| SBL-35      | 57 (1448) | 18.62 (473) | 3.94 (100) | 53.38 (1356) | 54 (1372)               | 42.1 (1070) | 35 (889)            |
| SBL-48      | 57 (1448) | 18.62 (473) | 3.94 (100) | 66.38 (1686) | 54 (1372)               | 55.1 (1401) | 48 (1219)           |
| SBLR-18     | 57 (1448) | 18.92 (481) | 6.02 (153) | 36.38 (924)  | 51.5 (1308)             | 29.2 (742)  | Ø 15 (381)          |
| DBL-18      | 57 (1448) | 15.17 (385) | 5.34 (136) | 36.38 (924)  | 54 <sup>†</sup> (1372)  | 19.50 (495) | 11.25 (286)         |
| DBL-18-GATX | 57 (1448) | 15.17 (385) | 5.70 (145) | 36.38 (924)  | 54 <sup>††</sup> (1372) | 18.00 (457) | 9.00 (229)          |

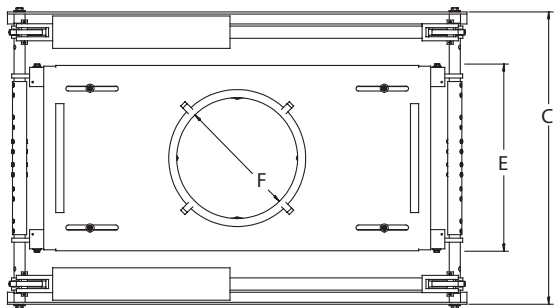
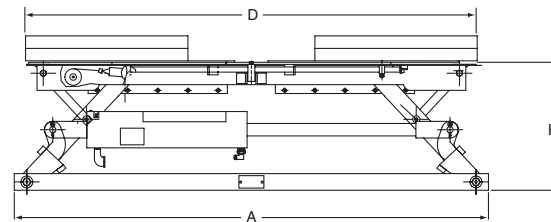
<sup>†</sup>Extended 69 in. [1752.6 mm]    <sup>††</sup>Extended 76.63 in. [1946.4 mm]



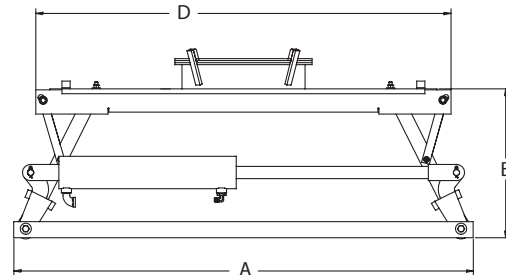
SBL-13, SBL-24, SBL-30, SBL-35, SBL-48



DBL-18, DBL-18-GATX



SBLR-18



**Martin Engineering Australia Pty Ltd.**  
 20 Ern Harley Dr - Burleigh Heads, QLD, 4220 - Australia  
 1300 627 364  
[www.martin-eng.com.au](http://www.martin-eng.com.au)



**Problem Solved™ GUARANTEED!**

Form No. L3406-07/20  
 © Martin Engineering Company 1997, 2020