

# Martin® Trac-Mount™ Idlers

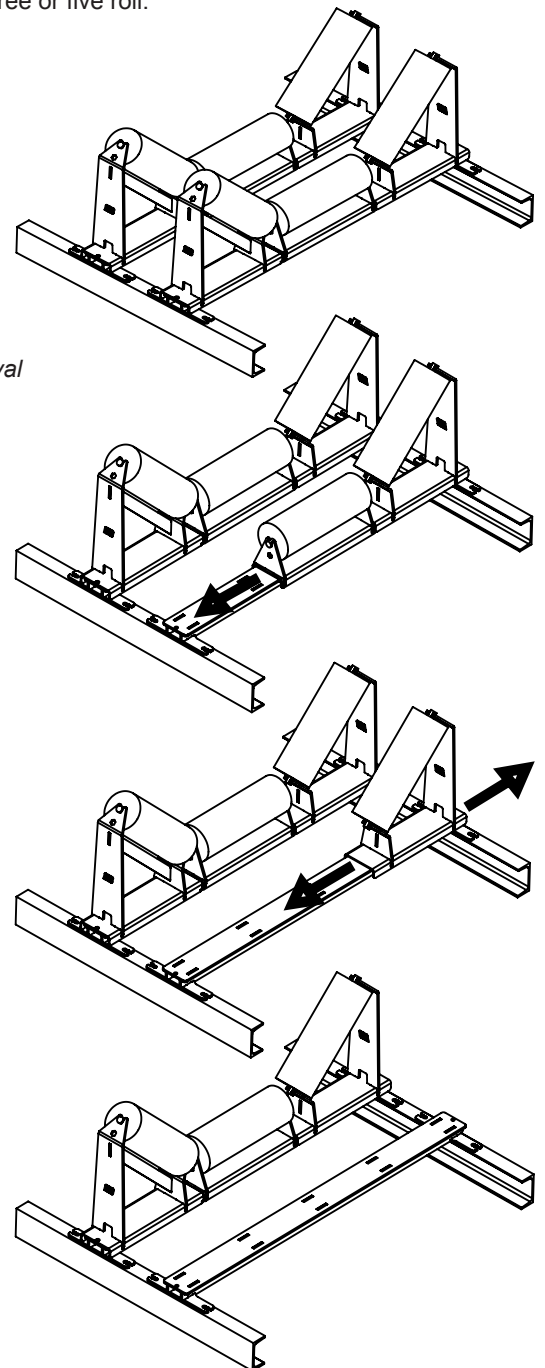


**Martin® Trac-Mount™ Idlers** utilize sliding frames on a stationary base to provide an idler set that will fit in tight spaces between belt support cradles and allows easy installation and service. Trac-Mount™ Idlers are available in 20, 35 and 45 degree angles. Idlers can be steel or impact idlers and there is a choice of three or five roll.

**BENEFITS**

- **Improves System Serviceability**  
Slide-out/slide-in roller frames allows idler service without need to raise belt or remove adjacent idlers.
- **Prevents Fugitive Material**  
Trac-Mount™ Idlers provide proper belt carriage while they stabilize the belt line to improve sealing.
- **Durability**  
Frame consists of 8 mm steel and idlers are industry standard good quality idlers.

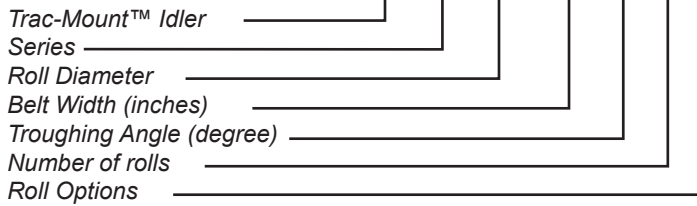
*Idler Removal*



# TECHNICAL DATA SHEET

## NOMENCLATURE

**TMI XX XXX XX XX X X**



### SERIES:

Standard 25  
Other option 30

### ROLL DIAMETER:

Standard 152  
Other option 127

### BELT WIDTH (INCHES):

Belt width / 25 = inches

### TROUGHING ANGLE:

20: 20 Degree  
35: 35 Degree  
45: 45 Degree

### ROLL OPTIONS:

S: Steel Rolls  
R: Impact Rolls

*For Picking Idler Option, please speak with your  
Martin Engineering Representative.*



### Martin Engineering RSA

Cnr Antwerpen St & Arnhemsingel,  
Die Heuvel, Witbank  
+27 13 656 5135  
Fax +27 13 656 5129  
www.martin-eng.co.za