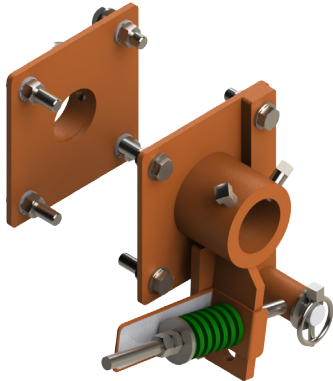


Martin® Spring Tensioner



Keep the pressure on with this simple belt cleaner tensioning device from Martin Engineering.

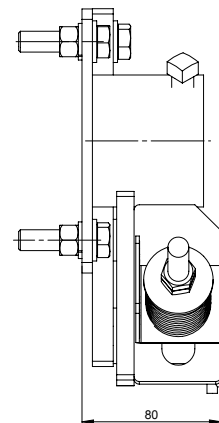
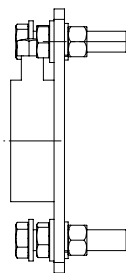
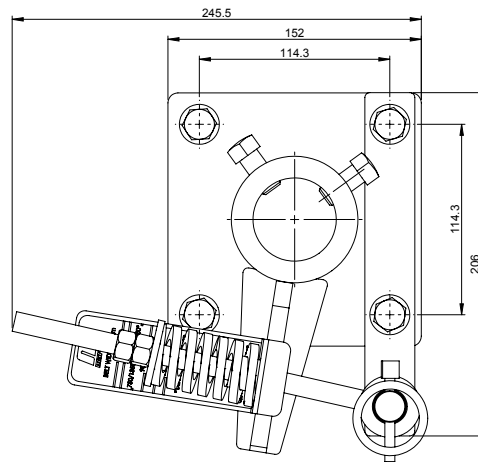
The **Martin® Spring Tensioner** supplies consistent pressure to keep blades against the belt for effective cleaning, regardless of the state of blade wear.

The Martin® Spring Tensioner uses the force stored in a spring to provide the steady pressure that allows even, effective cleaning.

BENEFITS

- **Easy To Tension**
Sticker to accurately adjust tension
- **Low Maintenance**
The tensioner maintains consistent blade-to-belt pressure.
- **Guaranteed**
Like all Martin® Products, the Martin® Spring Tensioner is covered by Martin Engineering's *Absolutely, Positively, No Excuses, Guarantee.*

DIMENSIONS (mm.)



NOMENCLATURE

SG 1 X T0100SA

Tensioner

TENSIONER

- S: Single Tensioner
- D: Dual Tensioner



Martin Engineering Africa
Cnr Antwerpen Str & Arnheimsingel
Die Heuwel, Witbank, 1035
Tel +27 13 656 5135
Fax +27 13 656 5129
www.martin-eng.co.za
feedback@martin-eng.com

