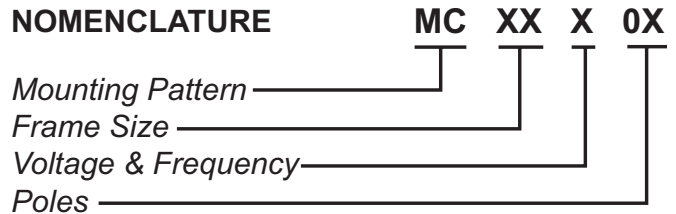


Martin® MC Series Electric Vibrators



BENEFITS

- Only USA Manufacturer of Continuous duty, High-output Industrial Vibrators Guaranteed for 3 Years
- C4 Clearance Cylindrical Roller Bearings
- Dust-tight and Water-tight Enclosure
- Fast Delivery of Any Electrical Rating
- Fully Interchangeable with Other Major Manufacturers
- Worldwide Tech Support and Service

FRAME SIZE

- 30
- 35
- 40
- 50
- 90
- 95

VOLTAGE & FREQUENCY

- Three Phase**
- A:** 220-240/380-415V 50Hz
 - C:** 220-240/440-480V 60Hz
 - E:** 525-550V 50Hz
 - F:** 575-600V 60Hz

Single Phase

- U:** 115V 60Hz
- W:** 230V 60Hz

POLES

- 02:** 3000 RPM at 50Hz
3600 RPM at 60Hz
- 04:** 1500 RPM at 50Hz
1800 RPM at 60Hz
- 06:** 1000 RPM at 50Hz
1200 RPM at 60Hz
- 08:** 750 RPM at 50Hz
900 RPM at 60Hz

ACCESSORIES

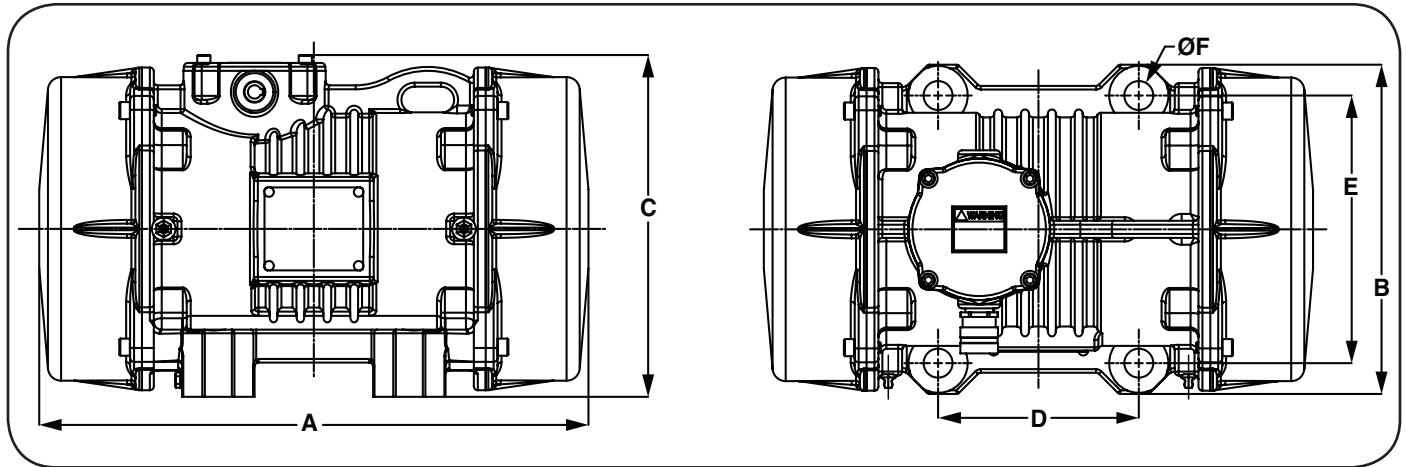
Part Number	Description
32271-PR	Vibration Safety Cable Kit
38902-20	On/Off Cycle Timer

Model	C-Channel Mount Kit*	Mount Plate	Hardware for Mount Plate	Vibration Safety Cable Kit
MC 30/35	32401-30	220583-MC	CG-100429**	32271-PR
MC 40/50	32401-B3	220598-MC	CG-100430**	32271-PR

*Includes Channel Mount, Hardware, and Safety Cable Kit

**Included with Vibrator

TECHNICAL DATA SHEET



SINGLE PHASE

DIMENSIONS

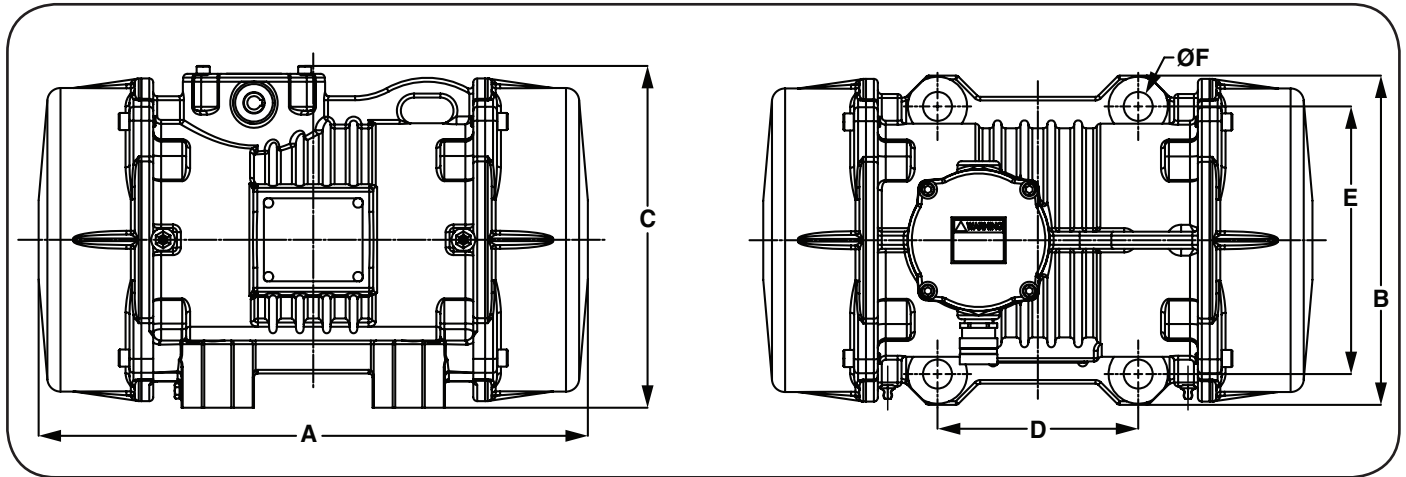
PART NUMBER	MODEL	A		B		C		Bolt Pattern		Foot Holes		Weight				
		in.	(mm)	in.	(mm)	in.	(mm)	D		E		F	No.	lbs	(kg)	
								in.	(mm)	in.	(mm)					
MC30X02	MC36-1680	15.70	(398.9)	8.43	(214)	9.41	(239.0)	5.50	(139.7)	7.00	(177.8)	0.67	(17)	4	65	(29)
MC35X02	MC36-2510	15.70	(398.9)	8.43	(214)	9.41	(239.0)	5.50	(139.7)	7.00	(177.8)	0.67	(17)	4	66	(30)
MC30X04	MC18-1690	15.70	(398.9)	8.43	(214)	9.41	(239.0)	5.50	(139.7)	7.00	(177.8)	0.67	(17)	4	78	(35)
MC35X04	MC18-2150	15.70	(398.9)	8.43	(214)	9.41	(239.0)	5.50	(139.7)	7.00	(177.8)	0.67	(17)	4	80	(37)
MC30X06	MC12-760	15.70	(398.9)	8.43	(214)	9.41	(239.0)	5.50	(139.7)	7.00	(177.8)	0.67	(17)	4	78	(35)

PERFORMANCE DATA

PART NUMBER	MODEL	RPM at 60Hz	Unbalance in-lbs		Centrifugal Force				Power Output				Amps	
			in-lbs		115V 60Hz		230V 60Hz		115V 60Hz		230V 60Hz		115 Volt	230 Volt
			50Hz	60Hz	lbs	(kg)	lbs	(kg)	hp	(kW in)	hp	(kW in)	60Hz	60Hz
MC30X02	MC36-1680	3600	6.8	4.5	1680	(762)	1680	(762)	0.75	(1.38)	0.75	(1.38)	12.00	6.00
MC35X02	MC36-2510	3600	9.8	7.0	2510	(1139)	2510	(1139)	0.75	(1.38)	0.75	(1.38)	12.00	6.00
MC30X04	MC18-1690	1800	25.0	18.0	1690	(767)	1690	(767)	0.75	(1.38)	0.75	(1.38)	12.00	6.00
MC35X04	MC18-2150	1800	33.6	23.4	2150	(975)	2150	(975)	0.75	(1.38)	0.75	(1.38)	12.00	6.00
MC30X06	MC12-760	1200	26.7	15.6	760	(345)	760	(345)	0.25	(0.86)	0.25	(0.86)	7.50	3.80

ACCESSORIES	
MOUNT PLATE	C-CHANNEL MOUNT KIT
220583-MC	32401-30
220583-MC	32401-30
220583-MC	32401-30
220583-MC	32401-30
220583-MC	32401-30

TECHNICAL DATA SHEET



3 PHASE 2 POLES 3000/3600 RPM

DIMENSIONS

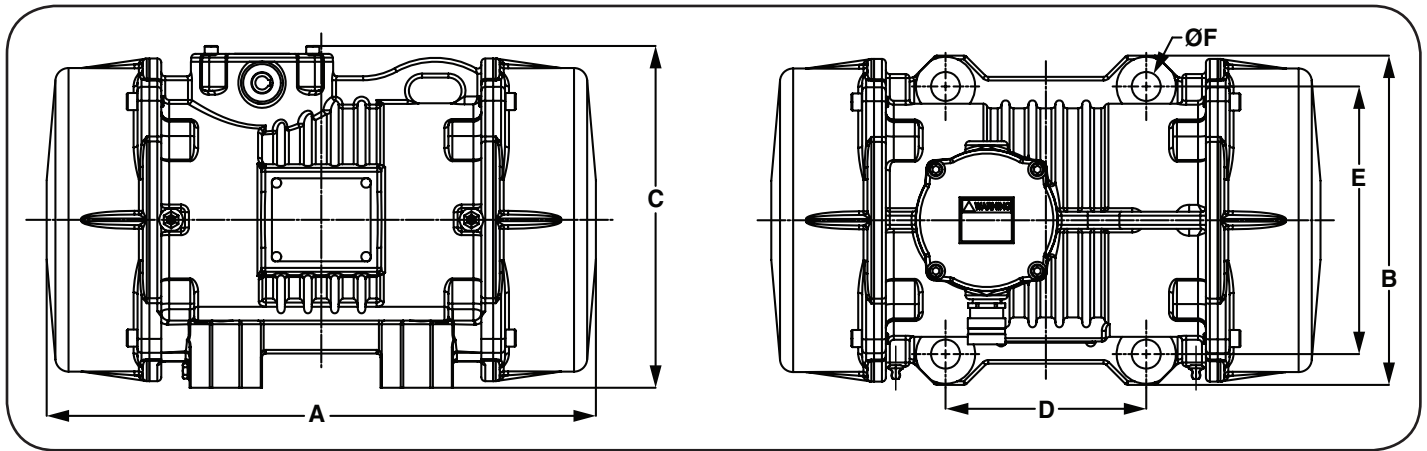
PART NUMBER	MODEL	A		B		C		Bolt Pattern				Foot Holes		Weight				
								D		E		F		No.	380V 50Hz		460V 60Hz	
		in.	(mm)	in.	(mm)	in.	(mm)	in.	(mm)	in.	(mm)	in.	(mm)		lbs	(kg)	lbs	(kg)
MC30X02	MC36-1680	15.70	(398.9)	8.43	(214)	9.41	(239.0)	5.50	(139.7)	7.00	(177.8)	0.67	(17)	4	64	(29)	63	(29)
MC35X02	MC36-2510	15.70	(398.9)	8.43	(214)	9.41	(239.0)	5.50	(139.7)	7.00	(177.8)	0.67	(17)	4	66	(30)	64	(29)
MC37X02	MC36-3500	15.70	(398.9)	8.43	(214)	9.41	(239.0)	5.50	(139.7)	7.00	(177.8)	0.67	(17)	4	68	(31)	67	(31)
MC52X02	MC36-4910	16.42	(417.0)	9.84	(250)	10.22	(259.5)	6.00	(152.4)	8.00	(203.2)	0.87	(22)	4	75	(34)	72	(33)

PERFORMANCE DATA

PART NUMBER	Model	Unbalance in-lbs		Centrifugal Force				Power Output		Amps	
				380V 50Hz		460V 60Hz				380V 50Hz	460V 60Hz
		50Hz	60Hz	lbs	(kg)	lbs	(kg)	hp	(kW in)		
MC30X02	MC36-1680	6.8	4.5	1680	(762)	1680	(762)	1	(0.80)	1.70	1.40
MC35X02	MC36-2510	9.8	7.0	2510	(1139)	2510	(1139)	1	(0.80)	1.70	1.40
MC37X02	MC36-3500	14.0	10.1	3500	(1588)	3500	(1588)	1	(0.80)	1.70	1.40
MC52X02	MC36-4910	20.0	13.0	4910	(2227)	4910	(2227)	3	(2.50)	5.10	4.20

ACCESSORIES	
MOUNT PLATE	C-CHANNEL MOUNT KIT
220583-MC	32401-30
220583-MC	32401-30
220583-MC	32401-30
220598-MC	32401-B3

TECHNICAL DATA SHEET



3 PHASE 4 POLES 1500/1800 RPM

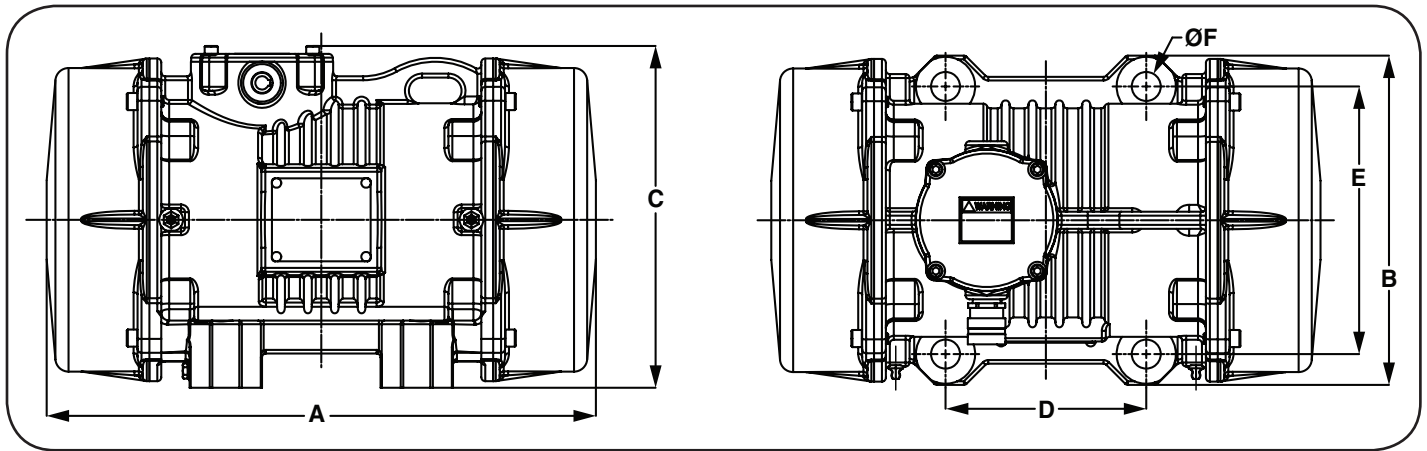
DIMENSIONS

PART NUMBER	MODEL	A		B		C		Bolt Pattern		Foot Holes		Weight				
								D		F		No.	380V 50Hz	460V 60Hz		
		in.	(mm)	in.	(mm)	in.	(mm)	in.	(mm)	in.	(mm)		lbs (kg)	lbs (kg)		
MC30X04	MC18-1690	15.70	(398.9)	8.43	(214)	9.41	(239.0)	5.50	(139.7)	7.00	(177.8)	0.67	(17)	4	76 (35)	73 (33)
MC35X04	MC18-2150	15.70	(398.9)	8.43	(214)	9.41	(239.0)	5.50	(139.7)	7.00	(177.8)	0.67	(17)	4	79 (36)	76 (34)
MC40X04-LF	MC18-2250	16.42	(417.0)	9.84	(250)	10.22	(259.5)	6.00	(152.4)	8.00	(203.2)	0.87	(22)	4	119 (54)	112 (51)
MC40X04	MC18-3190	19.65	(499.0)	9.84	(250)	10.22	(259.5)	6.00	(152.4)	8.00	(203.2)	0.87	(22)	4	131 (59)	125 (57)
MC50X04	MC18-3870	19.65	(499.0)	9.84	(250)	10.22	(259.5)	6.00	(152.4)	8.00	(203.2)	0.87	(22)	4	136 (62)	128 (58)
MC51X04	MC18-4500	19.65	(499.0)	9.84	(250)	10.22	(259.5)	6.00	(152.4)	8.00	(203.2)	0.87	(22)	4	140 (63)	131 (60)
MC52X04	MC18-5500	19.65	(499.0)	9.84	(250)	10.22	(259.5)	6.00	(152.4)	8.00	(203.2)	0.87	(22)	4	-	135 (61)
MC90X04	MC18-14500	27.28	(693.0)	15.35	(390)	15.24	(387.0)	9.00	(228.6)	12.00	(304.8)	1.10	(28)	4	520 (236)	495 (224)
MC95X04	MC18-17600	27.28	(693.0)	15.35	(390)	15.24	(387.0)	9.00	(228.6)	12.00	(304.8)	1.10	(28)	4	570 (259)	540 (245)

PERFORMANCE DATA

PART NUMBER	MODEL	Unbalance in-lbs		Centrifugal Force				Power Output				Amps		ACCESSORIES	
				380V 50Hz		460V 60Hz		380V 50Hz		460V 60Hz		380V 50Hz	460V 60Hz	MOUNT PLATE	C-CHANNEL MOUNT KIT
		50Hz	60Hz	lbs	(kg)	lbs	(kg)	hp	(kW in)	hp	(kW in)				
MC30X04	MC18-1690	25.0	18.0	1690	(767)	1690	(767)	0.75	(0.65)	0.75	(0.65)	1.50	1.20	220583-MC	32401-30
MC35X04	MC18-2150	33.6	23.4	2150	(975)	2150	(975)	0.75	(0.65)	0.75	(0.65)	1.50	1.20	220583-MC	32401-30
MC40X04-LF	MC18-2250	35.2	24.4	2250	(1021)	2250	(1021)	1.50	(1.30)	1.50	(1.30)	2.60	2.10	220598-MC	32401-B3
MC40X04	MC18-3190	49.0	35.0	3190	(1447)	3190	(1447)	1.50	(1.30)	1.50	(1.30)	2.60	2.10	220598-MC	32401-B3
MC50X04	MC18-3870	62.0	42.0	3870	(1755)	3870	(1755)	1.50	(1.30)	1.50	(1.30)	2.60	2.10	220598-MC	32401-B3
MC51X04	MC18-4500	71.0	49.0	4500	(2041)	4500	(2041)	1.50	(1.30)	1.50	(1.30)	2.60	2.10	220598-MC	32401-B3
MC52X04	MC18-5500	-	59.7	-	-	5500	(2495)	-	-	1.50	(1.30)	-	2.10	220598-MC	32401-B3
MC90X04	MC18-14500	229.0	161.0	14500	(6577)	14500	(6577)	6.70	(5.00)	7.00	(5.30)	9.90	8.80	-	-
MC95X04	MC18-17600	285.0	197.0	17600	(7983)	17600	(7983)	7.60	(6.50)	8.90	(7.40)	10.80	10.30	-	-

TECHNICAL DATA SHEET



3 PHASE 6 POLES 1000/1200 RPM

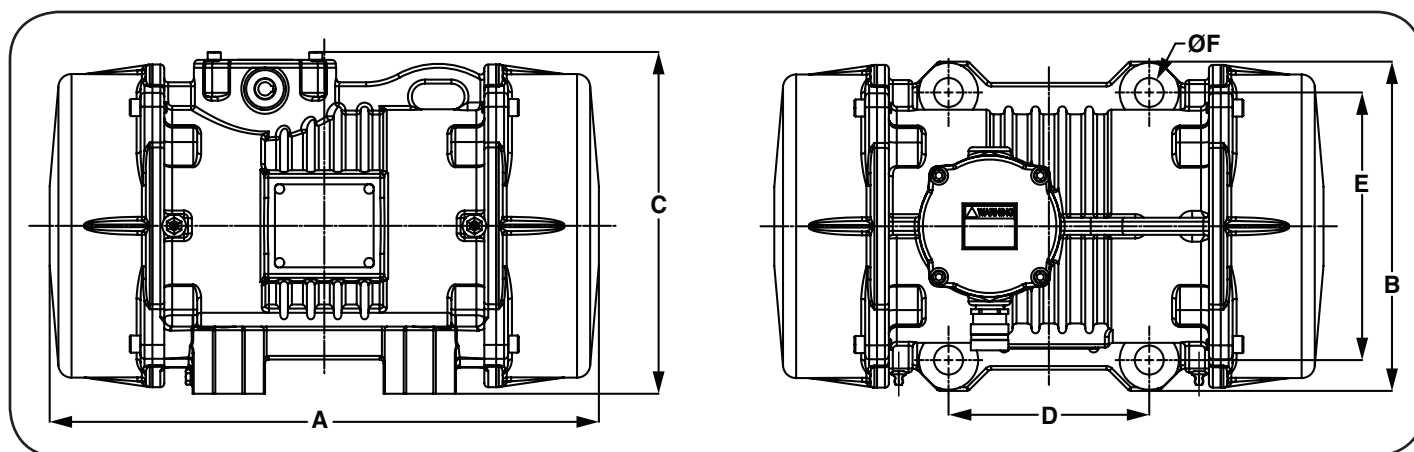
DIMENSIONS

PART NUMBER	MODEL	A		B		C		Bolt Pattern		Bolt Size		Weight						
		in.	(mm)	in.	(mm)	in.	(mm)	D		E		No.	380V 50Hz		460V 60Hz			
								in.	(mm)	in.	(mm)		in.	(mm)	lbs	(kg)	lbs	(kg)
MC30X06	MC12-760	15.70	(398.9)	8.43	(214)	9.41	(239)	5.50	(139.7)	7.00	(177.8)	0.67	(17)	4	74	(34)	71	(32)
MC35X06	MC12-1630	17.91	(454.9)	8.43	(214)	9.41	(239)	5.50	(139.7)	7.00	(177.8)	0.67	(17)	4	96	(44)	88	(40)
MC36X06	MC12-2300	17.91	(454.9)	8.43	(214)	9.41	(239)	5.50	(139.7)	7.00	(177.8)	0.67	(17)	4	97	(44)	97	(44)
MC50X06	MC12-2530	19.65	(499)	9.84	(250)	10.22	(259.5)	6.00	(152.4)	8.00	(203.2)	0.87	(22)	4	145	(66)	135	(61)
MC51X06	MC12-3100	19.65	(499)	9.84	(250)	10.22	(259.5)	6.00	(152.4)	8.00	(203.2)	0.87	(22)	4	147	(67)	145	(66)
MC90X06	MC12-11700	35.28	(896)	15.35	(390)	15.24	(387)	9.00	(228.6)	12.00	(304.8)	1.10	(28)	4	583	(265)	531	(241)
MC91X06	MC12-14400	35.28	(896)	15.35	(390)	15.24	(387)	9.00	(228.6)	12.00	(304.8)	1.10	(28)	4	626	(284)	564	(256)
MC95X06	MC12-17600	35.28	(896)	15.35	(390)	15.24	(387)	9.00	(228.6)	12.00	(304.8)	1.10	(28)	4	729	(331)	649	(294)

PERFORMANCE DATA

PART NUMBER	MODEL	Unbalance in-lbs		Centrifugal Force				Power Output				Amps		ACCESSORIES	
		50Hz	60Hz	380V 50Hz		460V 60Hz		380V 50Hz		460V 60Hz		380V 50Hz	460V 60Hz	MOUNT PLATE	C-CHANNEL MOUNT KIT
				lbs	(kg)	lbs	(kg)	hp	(kW in)	hp	(kW in)				
MC30X06	MC12-760	26.7	15.6	760	(345)	760	(345)	0.50	(0.45)	0.50	(0.45)	1.60	1.30	220583-MC	32401-30
MC35X06	MC12-1630	57.4	39.8	1630	(739)	1630	(739)	0.50	(0.45)	0.50	(0.45)	1.60	1.30	220583-MC	32401-30
MC36X06	MC12-2300	55.8	56.2	1584	(718)	2300	(1043)	0.50	(0.45)	0.50	(0.45)	1.60	1.30	220583-MC	32401-30
MC50X06	MC12-2530	79.2	61.8	2250	(1021)	2530	(1148)	1.00	(0.90)	1.00	(0.90)	2.10	1.70	220598-MC	32401-B3
MC51X06	MC12-3100	86.2	75.8	2450	(1111)	3100	(1406)	1.00	(0.90)	1.00	(0.90)	2.10	1.70	220598-MC	32401-B3
MC90X06	MC12-11700	407.0	288.0	11700	(5307)	11700	(5307)	4.30	(3.80)	4.70	(4.20)	7.70	7.30	-	-
MC91X06	MC12-14400	512.0	356.0	14400	(6532)	14400	(6532)	4.30	(3.80)	4.70	(4.20)	7.70	7.30	-	-
MC95X06	MC12-17600	629.0	438.0	17600	(7983)	17600	(7983)	7.50	(6.40)	8.50	(7.30)	13.0	12.7	-	-

TECHNICAL DATA SHEET



3 PHASE 8 POLES 750/900 RPM

DIMENSIONS

PART NUMBER	MODEL	A		B		C		Bolt Pattern		Foot Holes		Weight						
		in.	(mm)	in.	(mm)	in.	(mm)	D	E	F	No.	Weight						
												lbs	(kg)	lbs	(kg)			
MC30X08	MC9-590	15.70	(398.9)	8.43	(214)	9.41	(239)	5.50	(139.7)	7.00	(177.8)	0.67	(17)	4	86	(39)	83	(38)
MC35X08	MC9-910	17.91	(454.9)	8.43	(214)	9.41	(239)	5.50	(139.7)	7.00	(177.8)	0.67	(17)	4	98	(45)	91	(41)
MC40X08	MC9-1440	19.65	(499.0)	9.84	(250)	10.22	(259.5)	6.00	(152.4)	8.00	(203.2)	0.87	(22)	4	143	(65)	134	(61)
MC90X08	MC9-9310	35.28	(896.0)	15.35	(390)	15.24	(387)	9.00	(228.6)	12.00	(304.8)	1.10	(28)	4	614	(279)	614	(279)
MC91X08	MC9-11700	35.28	(896.0)	15.35	(390)	15.24	(387)	9.00	(228.6)	12.00	(304.8)	1.10	(28)	4	656	(298)	656	(298)
MC95X08	MC9-14400	35.28	(896.0)	15.35	(390)	15.24	(387)	9.00	(228.6)	12.00	(304.8)	1.10	(28)	4	680	(309)	680	(309)
MC96X08	MC9-15500	35.28	(896.0)	15.35	(390)	15.24	(387)	9.00	(228.6)	12.00	(304.8)	1.10	(28)	4	-	-	695	(315)

PERFORMANCE DATA

PART NUMBER	MODEL	Unbalance in-lbs		Centrifugal Force				Power Output		Amps		ACCESSORIES			
		50Hz	60Hz	380V 50Hz		460V 60Hz		380V 50Hz	460V 60Hz	380V 50Hz	460V 60Hz	MOUNT PLATE	C-CHANNEL MOUNT KIT		
				lbs	(kg)	lbs	(kg)	hp	(kW in)					hp	(kW in)
MC30X08	MC9-590	26.0	26.0	485	(220)	590	(268)	0.50	(0.45)	0.50	(0.45)	2.00	1.60	220583-MC	32401-30
MC35X08	MC9-910	62.0	41.0	910	(413)	910	(413)	0.50	(0.45)	0.50	(0.45)	2.00	1.60	220583-MC	32401-30
MC40X08	MC9-1440	81.0	64.0	1250	(567)	1440	(653)	0.75	(0.65)	0.75	(0.65)	2.30	1.90	220598-MC	32401-B3
MC90X08	MC9-9310	407.0	407.0	6450	(2926)	9310	(4223)	3.97	(3.60)	4.27	(4.00)	8.30	8.00	-	-
MC91X08	MC9-11700	512.0	512.0	8100	(3674)	11700	(5307)	3.97	(3.60)	4.27	(4.00)	8.30	8.00	-	-
MC95X08	MC9-14400	629.0	629.0	10000	(4536)	14400	(6532)	4.93	(4.50)	5.83	(5.30)	10.50	10.50	-	-
MC96X08	MC9-15500	-	710.0	-	-	15500	(7031)	-	-	5.83	(5.30)	-	10.50	-	-



Martin Engineering Africa
 Cnr Antwerpen & Arnheimsingel str
 Die Heuwel, Emalahleni
 South-Africa
www.martin-eng.co.za
feedback@martin-eng.com



Problem Solved™ GUARANTEED!

Form No. L4143-07/20, 2023
 © Martin Engineering Company 2019, 2020 2023