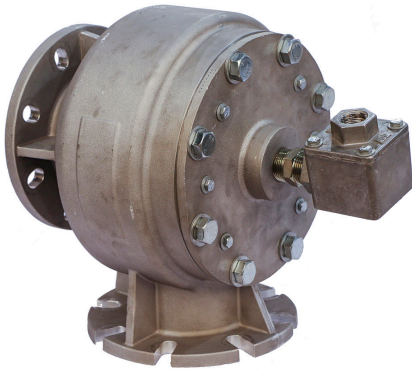


Martin® PassPort Retrofit Valve

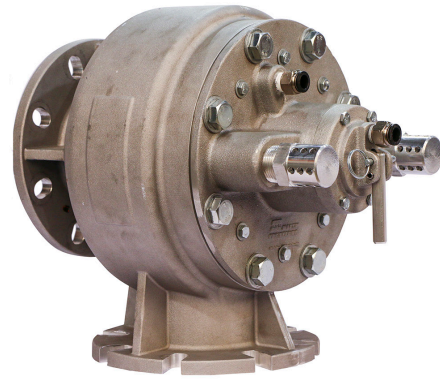
To upgrade performance and reduce maintenance, the [Martin® PassPort Retrofit Valve](#) can be retrofit onto air cannon systems from any manufacturer. A simple, 8-bolt attachment allows the valve assembly to be installed on existing Martin Engineering air cannons.

BENEFITS

- Leading-Edge Valve Technology
- Increase Performance
- Ease of Maintenance
- Keep Existing Tank
- Upgrades All Air Cannon Models



P/N A20001
Negative Pressure Firing

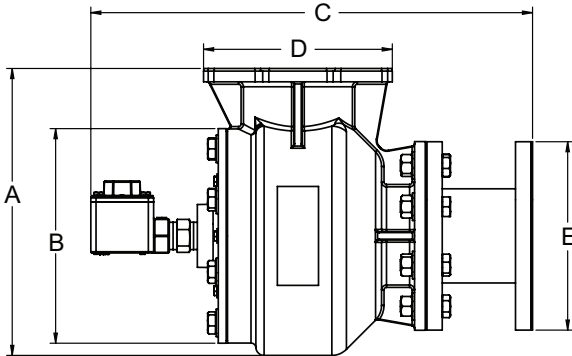


P/N A20002
Positive Pressure Firing

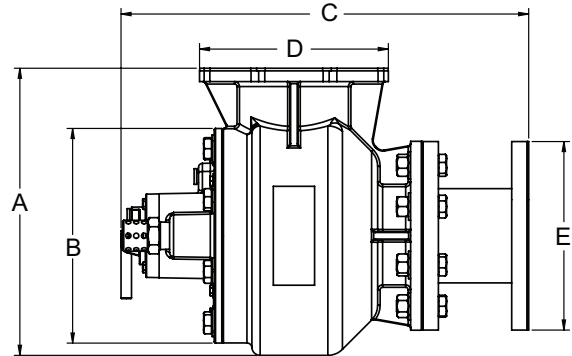
DIMENSIONS

Model	P/N	Dim. A in. (mm)	Dim. B in. (mm)	Dim. C in. (mm)	Dim. D in. (mm)	Dim. E* in. (mm)	Shipping Weight lb (kg)
PassPort	A20001	13.71 (348)	10.25 (260)	21.10 (536)	9.02 (229)	9.00 (229)	63 (28.4)
PassPort	A20002	13.71 (348)	10.25 (260)	19.46 (494)	9.02 (229)	9.00 (229)	67 (30.4)

*Discharge pipe connects to a 4 inch ANSI flange or DIN100.



A20001



A20002



Martin Engineering USA
One Martin Place
Neponset, IL 61345-9766 USA
800 544 2947 or 309 852 2384
Fax 800 814 1553
www.martin-eng.com

**COMPANY WITH
QUALITY SYSTEM
CERTIFIED BY DNV
= ISO 9001:2008 =**