

## Vibrolator® Ball Vibrator Series



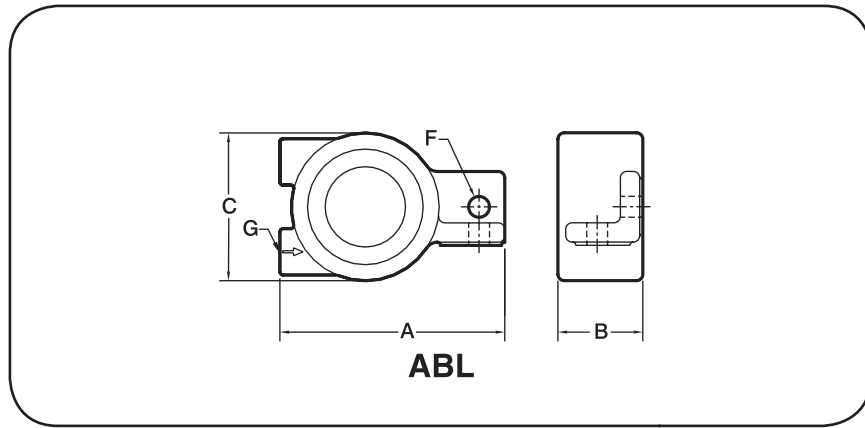
### FEATURES

- One moving part – Chrome steel ball on hardened steel race
- Continuous Duty
- Highest ratio of force to physical weight in the industry
- Tapped exhaust
- Muffler is standard
- O-ring sealed
- Interchangeable with other manufacturers
- Three mounting and port configurations available

### Specify Cougar for:

- Cost effective solutions
- Expert technical assistance
- Complete service and support

# TECHNICAL DATA SHEET



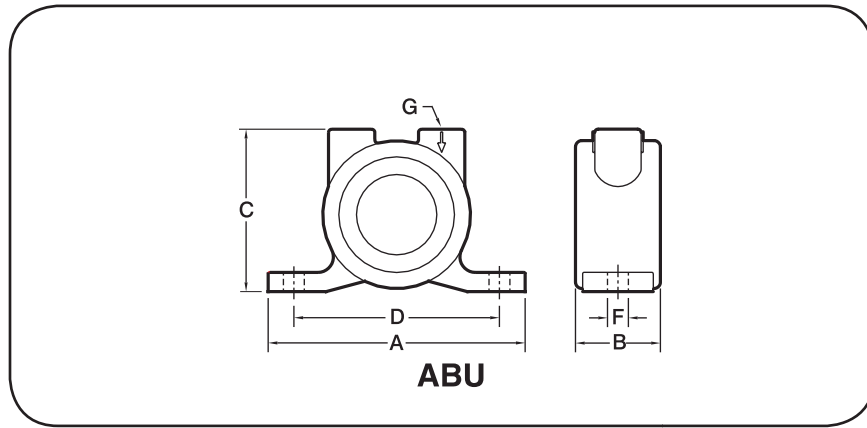
## DIMENSIONS (inch)

Model	A	B	C	Bolt Size	Port NPT	Weight lbs
				F	G	
ABL-10	3.14	1.14	1.97	5/16	1/8	0.75
ABL-13	3.64	1.26	2.29	3/8	1/8	1
ABL-16	4.18	1.56	2.56	3/8	1/4	1.75
ABL-19	4.38	1.65	2.92	3/8	1/4	2
ABL-25	5.66	2.26	3.76	1/2	1/4	4.75

## PERFORMANCE DATA

Model	In. Lbs.	Min. Starting Pressure (PSI)		40 PSI			60 PSI			80 PSI		
		Horz.	Vert.	VPM	Force Lbs.	CFM	VPM	Force Lbs.	CFM	VPM	Force Lbs.	CFM
ABL-10	0.003	4	5	21000	37	6.4	23000	45	6.4	24000	49	8.4
ABL-13	0.008	5	10	17500	70	6.6	19500	86	8.8	20000	91	11.3
ABL-16	0.020	5	12	12000	82	7.0	15500	137	9.2	17000	164	14.6
ABL-19	0.037	5	19	13000	116	8.3	15000	236	11.2	16000	269	16.1
ABL-25	0.116	5	19	10000	329	10.4	11000	399	14.1	12500	515	18.1

# TECHNICAL DATA SHEET



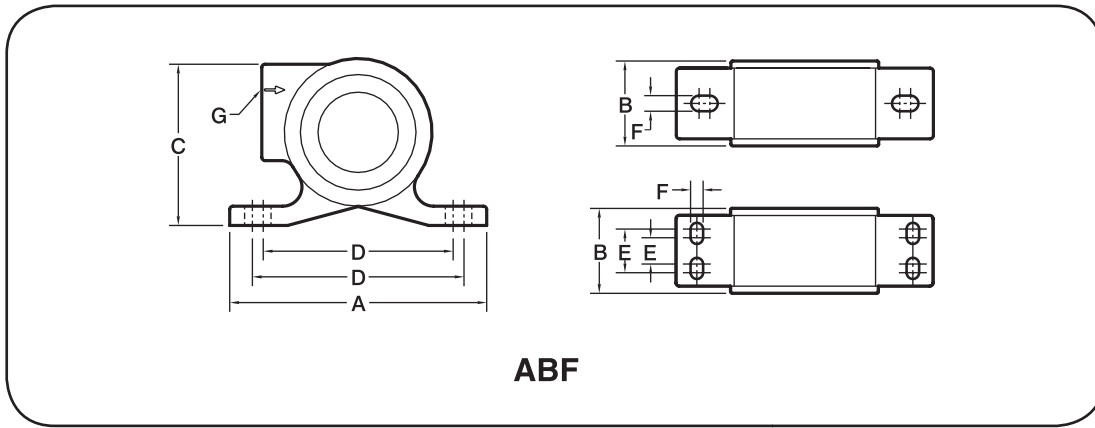
## DIMENSIONS (inch)

Model	A	B	C	Bolt Pattern	Bolt Size	Port NPT	Weight lbs
				D	F	G	
ABU-6	3.75	1.125	2.125	3	1/4	1/8	0.75
ABU-13	5	1.25	2.50	4	3/8	1/8	1.50
ABU-19	5	1.625	3.1875	4	3/8	1/4	2.50
ABU-25	6	2.25	4.125	5	1/2	3/8	5
ABU-32	6	2.25	4.125	5	1/2	3/8	6
ABU-38	7.75	2.75	5	6	5/8	3/8	9
ABU-44	8.5	3	5.75	7	5/8	1/2	13

## PERFORMANCE DATA

Model	In. Lbs.	Min. Starting Pressure (PSI)		40 PSI			60 PSI			80 PSI		
		Horz.	Vert.	VPM	Force Lbs.	CFM	VPM	Force Lbs.	CFM	VPM	Force Lbs.	CFM
ABU-6	0.001	1	1	22000	14	3.5	25000	18	4.5	26000	19	6.0
ABU-13	0.008	5	10	15000	51	5.0	20000	90	7.5	12000	100	10.5
ABU-19	0.037	5	13	14000	205	7.0	16000	270	11.0	17000	303	14.0
ABU-25	0.116	5	19	9700	309	10.0	11000	398	13.0	12000	474	16.0
ABU-32	0.240	5	30	6500	288	11.0	7500	383	17.0	11500	901	19.2
ABU-38	0.480	5	50	5500	412	14.0	6200	524	20.0	10000	1363	24.6
ABU-44	0.915	5	60	5100	675	15.0	6000	935	21.0	6500	1097	26.0

# TECHNICAL DATA SHEET



## DIMENSIONS (inch)

Model	A	B	C	Bolt Pattern		Bolt Size	Port NPT	Weight lbs
				D	E			
ABF-10	3.9375	1.1875	2.1875	3	—	5/16	1/8	0.75
ABF-13	5.0625	1.3125	2.625	4	—	3/8	1/8	1.50
ABF-19	5.0625	1.6875	3.3125	4	—	3/8	1/4	2.50
ABF-25	6.375	2.3125	4.375	4-5	—	1/2	1/4	5.50
ABF-35	6.375	2.3125	4.375	4-5	—	1/2	1/4	5.875
ABF-41	6.375	3.125	6	5 1/2	1 1/4 - 1 3/4	3/8	3/8	13.5
ABF-51	6.375	3.125	6	5 1/2	1 1/4 - 1 3/4	3/8	3/8	14.5

## PERFORMANCE DATA

Model	In. Lbs.	Min. Starting Pressure (PSI)		40 PSI			60 PSI			80 PSI		
		Horz.	Vert.	VPM	Force Lbs.	CFM	VPM	Force Lbs.	CFM	VPM	Force Lbs.	CFM
ABF-10	0.003	12	20	15000	19	4.3	15500	20	6.0	19000	31	7.5
ABF-13	0.008	3	18	13000	38	5.9	15100	52	8.1	17000	66	10.0
ABF-19	0.037	5	20	11000	127	9.0	13250	184	11.1	15500	252	14.1
ABF-25	0.116	5	41	8100	216	9.4	9700	313	12.8	11100	406	16.3
ABF-35	0.210	5	41	8200	401	10.9	10750	689	14.7	11500	789	18.9
ABF-41	0.750	5	65	4000	341	16.6	5000	533	20.8	5500	644	29.0
ABF-51	1.130	5	84	3000	289	16.6	3600	416	22.5	5000	802	29.0



**Martin Engineering USA**  
 One Martin Place  
 Neponset, IL 61345-9766 USA  
 800 544 2947 or 309 852 2384  
 Fax 800 814 1553  
 www.martin-eng.com

**COMPANY WITH  
 QUALITY SYSTEM  
 CERTIFIED BY DNV  
 = ISO 9001:2008 =**

**COUGAR**  
**VIBRATION SOLUTIONS**

**Problem Solved™ GUARANTEED!**

Form No. L3851-12/12  
 © Martin Engineering Company 2012