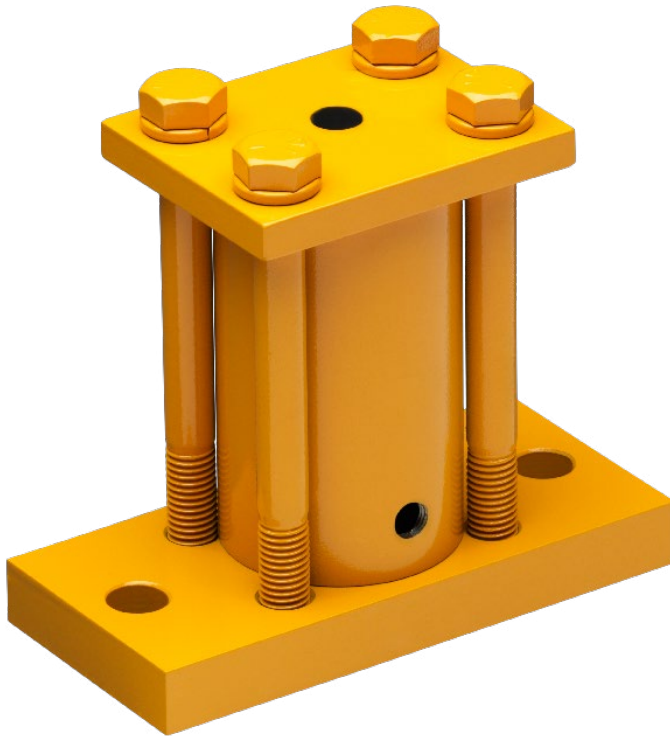


Martin® LI Timed Pneumatic Impactor Series



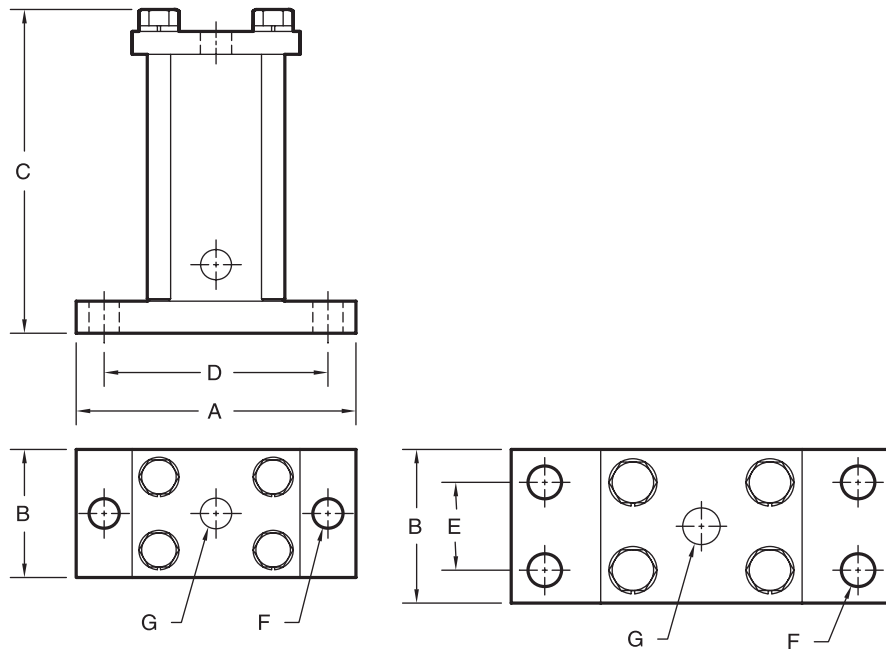
FEATURES

- Alloy steel bodies
- Hardened pistons
- Low air consumption
- Produces uniform directional force

Specify Cougar for:

- Cost effective solutions
- Expert technical assistance
- Complete service and support

TECHNICAL DATA SHEET



DIMENSIONS (inch)

Model	Piston Size In.	A	B	C	Bolt Pattern		Bolt Size	Port NPT	Weight lbs
					D	E	F	G	
LI-16	2	7.5	3.5	8.875	6	—	5/8	1/2	24
LI-32	4	10.5	5.5	13.250	8 7/16	2 1/2	7/8	1/2	74

PERFORMANCE DATA

Model	Piston Size In.	Kinetic Energy	Pulse Rate	MAX 80 PSI
		Ft lbs at 80 PSI	Min/Max	Cu. Ft./Stroke
LI-16	2	48	14/172	0.019
LI-32	4	252	14/172	0.110



Martin Engineering USA
 One Martin Place
 Neponset, IL 61345-9766 USA
 800 544 2947 or 309 852 2384
 Fax 800 814 1553
www.martin-eng.com

COMPANY WITH
 QUALITY SYSTEM
 CERTIFIED BY DNV
 = ISO 9001:2008 =

Problem Solved™ GUARANTEED!

Form No. L3848-12/15
 © Martin Engineering Company 2012, 2015