

Martin® Typhoon Air cannon

The Martin® Typhoon Air Cannon has a hybrid valve concept that is more effective, requires less air and facilitates maintenance of challenging applications that have a limited budget.



Features

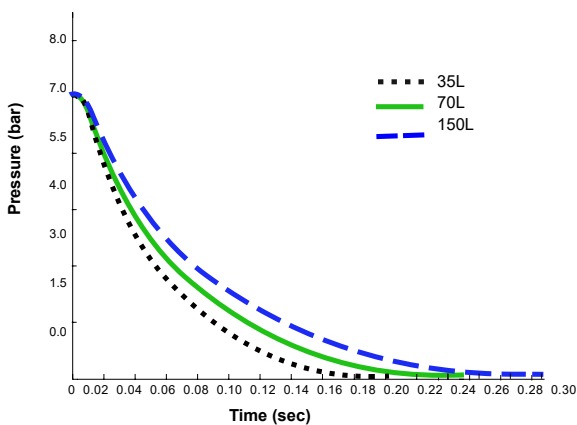
- Enables higher power discharge with lower air consumption than with a conventional XHV Air Cannon.
- Only an air line for filling the tank and triggering of the valve is required.
- The complete valve assembly can be removed in one easy step, working from one side of the tank. There is never any need to remove the tank from the process vessel for servicing reasons.
- The activation through a pressure drop in the (fill) and control line, allows a economic retrofit from older air cannon systems by utilizing the existing control system.

Technical data:

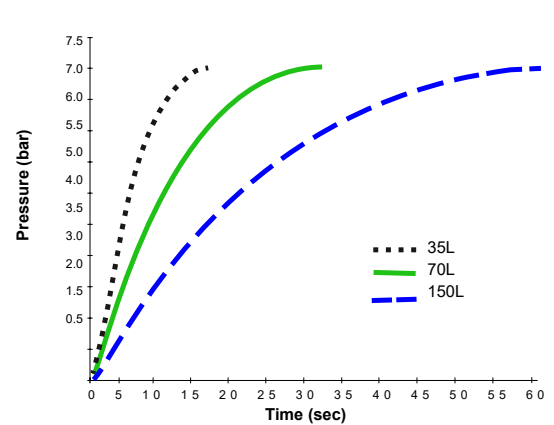
Operating pressure (min. - max.)	3 - 10 bar
Operating temperature (min. - max.)	-30 °C up to +150 °C

Performance Data

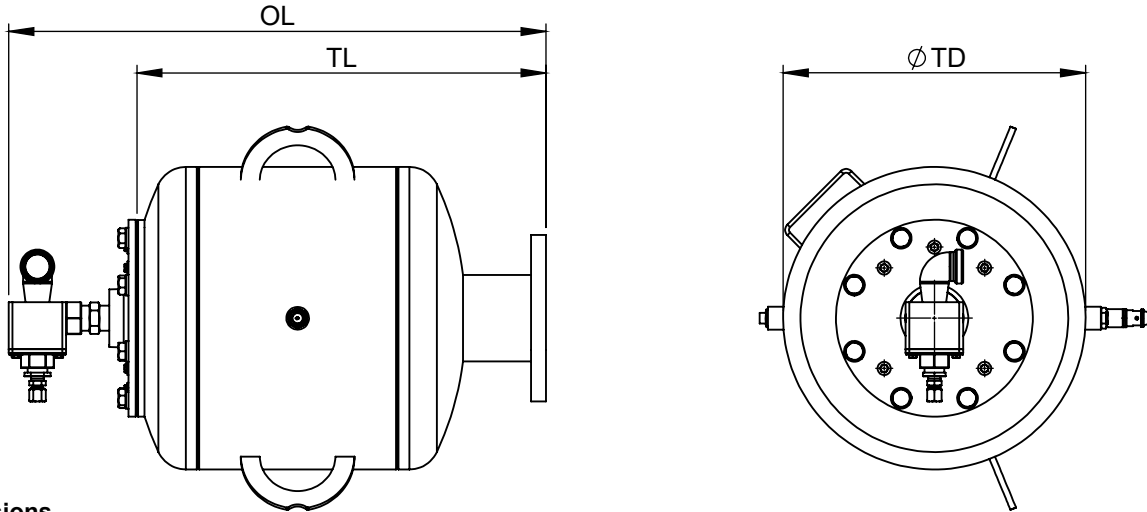
Discharge time at 7 bar operating pressure



Fill time at 7 bar operating pressure



TECHNICAL DATASHEET



Dimensions

Model	Part No.	TD mm	OL mm	TL mm	Weight kg
Typhoon 35L	38005-035FD-XXXXX+E	400	710	541	50
Typhoon 70L	38005-070FD-XXXXX+E	500	758	588	61
Typhoon 150L	38005-150FD-XXXXX+E	600	1000	830	85

Part number

38005 - AAA FD - BB C D E FFFF +E

5 digit part number
 Tank size in litre
 Working pressure max.
 Temperature range
 Certification
 Tank finish
 Customer specific options

A: Tank size in litre

B: Pressure range
 10: 10 bar

C: Temperature range
 D: -30°C/+150°C

D: Certification

C: CE certification

G: RTN (GOST-R) certification

S: SANS(South-African National Standard)

E: Tank finish

P: Powder-coated (RAL 2004)

C: Special painted C5M (RAL 2004)

Z: Zinc plated

Air volume

(standard atmosphere according to ISO 2533, rounded off to a temperature of 15 °C and a pressure of 1013 hPa)

Air pressure (relative) bar	35 litres	70 litres	150 litres
1	35	70	150
4	140	280	600
6	210	420	900
8	280	560	1250
10	350	700	1500

Note

The air cannon tanks are manufactured according to EC guideline 2014/29/EU. For corrosion protection, the air cannon tanks are painted (RAL 3009) from the inside and powder-coated (RAL 2004) from the outside.

Guaranteed engineering and installation of Typhoon air cannons is available from Martin Services. Maintenance is also available from Martin Service Technicians. Certified drawings of air cannon systems installations are available from Martin Engineering. Additional certifications as RTN (formerly GOST-R), ASME and others are also possible on request.

For further information, contact Martin Engineering at +27 13 656 5135 or visit our website www.martin-eng.co.za



Martin Engineering Africa

Cnr Antwerpen & Arnhemsingel street

Die Heuwel, Emalahleni, South-Africa

Ph.: +27 13 656 5135

Fax: +27 13 656 5129

feedback@martin-eng.com | www.martin-eng.co.za



Subject to change without prior notice. Quality management system certified according to DNV - ISO 9001

Problem Solved™ GUARANTEED!

Publication no. L3809ZA-10/23

© Martin Engineering Company 2022