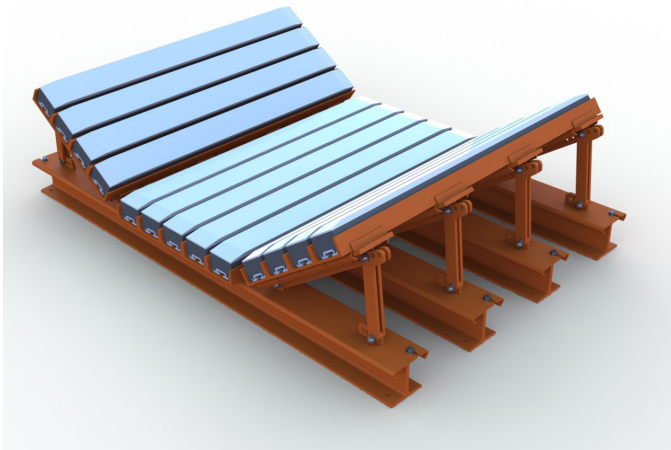


# Martin® Trac Mount Impact Bed

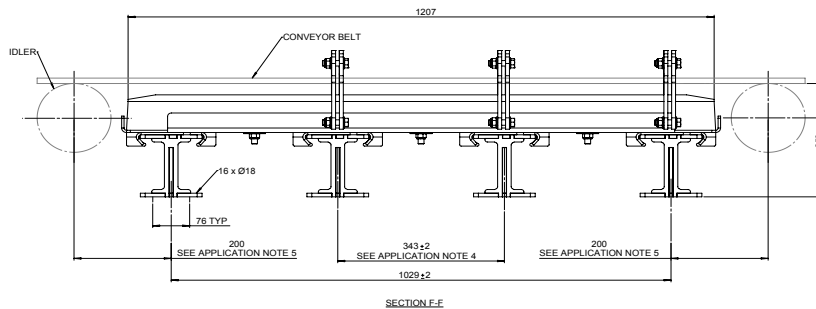
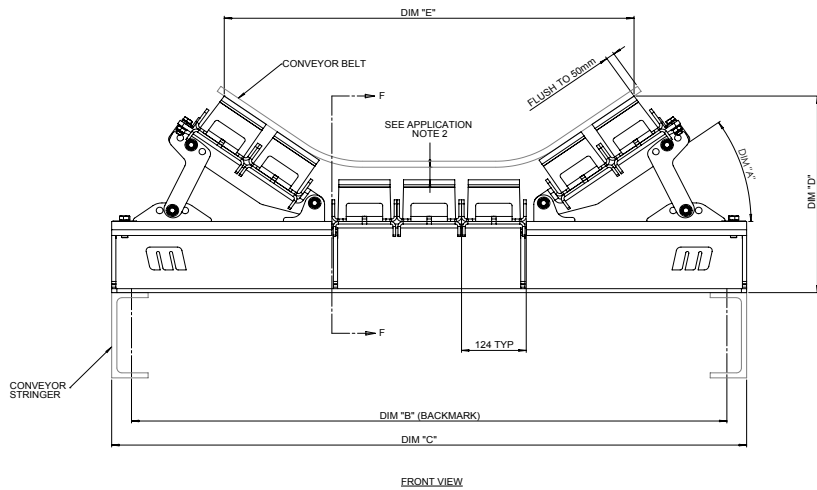
Installed under the belt conveyor loading zone, Martin® Impact Bed absorb the force of falling material to prevent damage to the belt and structure and to help eliminate spillage.

## FEATURES & BENEFITS



- **Steel reinforcement for impact bars;** each impact bar is reinforced with a bed of steel angles.
- **Troughing angle adjustment;** the troughing angle can easily be adjusted by replacing the support arm to the respected degree configuration.
- **Durable impact bars;** rugged bars are composed of a top layer of low friction UHMW and a lower layer of energy-absorbing rubber.
- **Simple bar replacement;** I-beam type design for durability.
- **Rugged structure stands up to abuse;** sturdy cradle base is formed channels.
- **Accommodates belt speeds up to 5 m/s**

## FRONT AND SIDE VIEW



# TECHNICAL DATA SHEET

## DIMENSIONS

\* INDICATES REPLACEMENT PARTS

BELT WIDTH	THROUGH ANGLE DIM "A"	ITEM 1 * SUPPORT ARM		ITEM 2 INCLINE BAR		ITEM 3 INCLINE BAR SLEEVE		ITEM 4 * IMPACT BAR PART No. 3181/7	ITEM 5 * T-BOLT PART No. 3177/5	DIM "B"	DIM "C"	DIM "D"	DIM "E"
		PART No.	QTY	PART No.	QTY	PART No.	QTY	QTY	QTY				
(mm)	(DEG)									(mm)	(mm)	(mm)	(mm)
600	20	30665060020SA		306690600SA		306750600SA		6	18	838	914	332	770
	35	30665060035SA		306690600SA		306750600SA						386	675
	45	30665060045SA		306690600SA		306750600SA						413	598
750	20	30665060020SA		306690600SA		306750750SA		6	18	990	1066	332	814
	35	30665060035SA		306690600SA		306750750SA						386	719
	45	30665060045SA		306690600SA		306750750SA						413	642
900	20	30665090020SA		306690900SA		306750900SA		7	21	1144	1220	340	886
	35	30665090035SA		306690900SA		306750900SA						392	787
	45	30665090045SA		306690900SA		306750900SA						419	708
1050	20	30665105020SA		306691200SA		306751050SA		9	27	1296	1372	382	1163
	35	30665105035SA		306691200SA		306751050SA						463	1035
	45	30665105045SA		306691200SA		306751050SA						507	928
1200	20	30665120020SA		306691200SA		306751200SA		10	30	1448	1524	382	1227
	35	30665120035SA		306691200SA		306751200SA						463	1099
	45	30665120045SA		306691200SA		306751200SA						507	992
1350	20	30665120020SA		306691200SA		306751350SA		10	30	1600	1676	382	1272
	35	30665120035SA		306691200SA		306751350SA						463	1144
	45	30665120045SA		306691200SA		306751350SA						507	1037
1500	20	30665150020SA	16	306691500SA	8	306751500SA	8	13	39	1752	1828	421	1578
	35	30665150035SA		306691500SA		306751500SA						531	1421
	45	30665150045SA		306691500SA		306751500SA						592	1287
1650	20	30665150020SA		306691500SA		306751650SA		13	39	1904	1980	421	1616
	35	30665150035SA		306691500SA		306751650SA						531	1459
	45	30665150045SA		306691500SA		306751650SA						592	1325
1800	20	30665150020SA		306691800SA		306751800SA		13	39	2058	2134	421	1666
	35	30665150035SA		306691800SA		306751800SA						531	1509
	45	30665150045SA		306691800SA		306751800SA						592	1375
2000	20	30665210020SA		306692100SA		306752000SA		16	48	2260	2336	470	1995
	35	30665210035SA		306692100SA		306752000SA						608	1805
	45	30665210045SA		306692100SA		306752000SA						685	1641
2100	20	30665210020SA		306692100SA		306752100SA		16	48	2362	2438	470	2025
	35	30665210035SA		306692100SA		306752100SA						608	1835
	45	30665210045SA		306692100SA		306752100SA						685	1671
2200	20	30665220020SA		306692200SA		306752200SA		19	57	2464	2540	516	2307
	35	30665220035SA		306692200SA		306752200SA						683	2085
	45	30665220045SA		306692200SA		306752200SA						776	1892
2400	20	30665220020SA		306692200SA		306752400SA		19	57	2668	2744	516	2365
	35	30665220035SA		306692200SA		306752400SA						683	2143
	45	30665220045SA		306692200SA		306752400SA						776	1950

### APPLICATION NOTES:

- 1) ALL DIMENSIONS CONFORM TO SABS STANDARD NO. 1313-1 CONVEYOR BELT IDLERS.
- 2) A MINIMUM CLEARANCE OF 19mm BETWEEN BELT AND IMPACT BED @ IMPACT BARS MUST BE MAINTAINED FOR PROPER OPERATION OF SYSTEM. PREMATURNE WEAR OF THE TOP LAYER ON THE IMPACT BAR COULD RESULT.
- 3) SUPPORT SYSTEM MAY BE BOLTED OR WELDED IN PLACE. MARTIN ENGINEERING RECOMMENDS BOLTING TO STRUCTURE WHEN APPLICABLE FOR EASY ACCESSIBILITY AND MAINTENANCE.
- 4) 343mm DIMENSION MUST BE MAINTAINED TO ALLOW PROPER SLIDING ACTION OF BAR WELDMENTS, AND INSURE EASY INSTALLATION AND SERVICING.
- 5) MARTIN RECOMMENDS THAT IDLERS BE POSITIONED 200mm (FROM CENTER) BEFORE AND 200mm AFTER THE IMPACT SYSTEM.
- 6) MOTOR H.P. REQUIRMENTS SHOULD BE REVIEWED PRIOR TO INSTALLATION OF THE IMPACT BED @ IMPACT SYSTEM.
- 7) CONSULT MARTIN ENGINEERING OPERATOR'S MANUAL PRIOR TO INSTALLATION OF IMPACT SYSTEM FOR APPLICATION AND SELECTION GUIDES.
- 8) MARTIN RECOMMENDS TRAC-MOUNT SKIRTBOARD AND TRAC-MOUNT IDLER SYSTEMS TO COMPLIMENT IMPACT BED @ IMPACT SYSTEM. CONTACT MARTIN ENGINEERING COMPANY FOR FURTHER DETAILS.
- 9) THE IMPACT BED @ IS DESIGNED FOR 3-ROLL CONVEYOR CONFIGURATIONS ONLY.



**Martin Engineering Africa**  
 Cnr Antwerpen str & Arnhemsingel  
 Die Heuwel, Witbank, Emalaheni  
 Tel +27 13 656 5135  
 Fax +27 13 656 5129  
 www.martin-eng.co.za



**Problem Solved™ GUARANTEED!**

Form No. L3631-ZA Revised 05/16,01/18, 07/23  
 © Martin Engineering Company 2014, 2016, 2018, 2023