

## Martin® Inspection Doors



Available in rubber, mild steel, or stainless steel, [Martin® Inspection Doors](#) provide quick and easy access to belt cleaners and other components inside chutes and enclosures for inspection or service.

### BENEFITS

#### MARTIN® RUBBER INSPECTION DOORS\*

*\*Martin® Rubber Inspection Doors should only be used when belt cleaner mainframe is required to extend through the door.*

- **Dust-Tight Seal**  
“Snap-on” rubber doors form tight seal to contain dust and fines.
- **Works In Tight Spaces**  
Opens in less than 2.5 inches (65 mm) clearance for access in obstructed areas.
- **Options to Fit Conditions**  
Materials to match conditions, including food-grade applications. Optional inspection screen controls access when door is open; complies with ANSI B.20.1 1984 and ISO 1819-02.1.11.
- **Simple Installation**  
Door can be bolted or welded to enclosure wall.
- **Matches Your Application**  
Five sizes available, from 9 X 12 to 24 X 24 inches (229 X 305 to 610 X 610 mm).

#### MARTIN® STEEL INSPECTION DOORS

- **Dust-Tight Seal**  
Rubber seal prevents material escape.
- **“Low-Profile” Design**  
Door height of 1.80 inches (46 mm) with handle in latched position.
- **Suitable For High Temperatures**  
Rubber seal is suitable for temperatures up to 350°F (177°C).
- **Built for Tough Conditions**  
Steel door withstands typical positive and negative pressure applications.
- **Simple Installation**  
Door can be bolted or welded to enclosure wall.
- **Matches Your Application**  
Six sizes available, from 9 X 12 to 36 X 36 inches (229 X 305 to 914 X 914 mm).  
*Extended-Height Door also available.*

# TECHNICAL DATA SHEET

## APPLICATION GUIDELINES

Martin Engineering recommends a minimum door size of 12 X 14 in. (305 X 356 mm) for pre-cleaners and 12 X 18 in. (305 X 457 mm) for secondary cleaners.

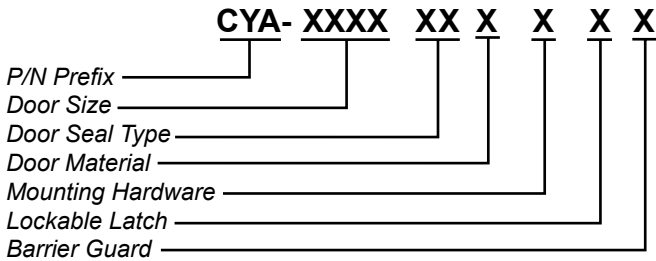
Other options, including food-grade rubber and/or stainless steel frame are available. See your Martin Engineering representative.

## \*STANDARD DOOR SIZES in. (mm)

9 X 12 (229 X 305)	18 X 24 (457 X 610)
12 X 14 (305 X 356)	24 X 24 (610 X 610)
12 X 18 (305 X 457)	

Additional sizes of steel doors are available upon request.

### Martin® Steel Inspection Door



#### DOOR SIZE\*

Approximate door size in inches (width x height)

#### DOOR SEAL TYPE

HT: High-Temp  
 Ø: Standard

#### DOOR MATERIAL

C: 304 Stainless Steel  
 Ø: Painted Mild Steel

#### MOUNTING HARDWARE

M: With Mounting Hardware  
 Ø: Without Mounting Hardware

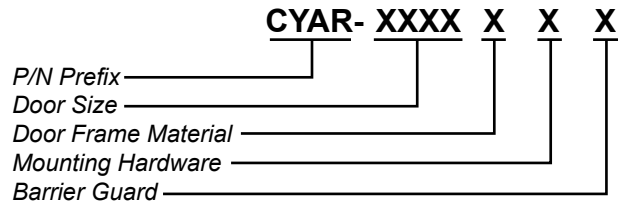
#### LOCKABLE LATCH

L: With Lockable Latch  
 Ø: With Standard Latch

#### BARRIER GUARD

G: With Barrier Guard  
 Ø: Without Barrier Guard

### Martin® Rubber Inspection Door



**Martin® Rubber Inspection Doors should only be used when belt cleaner mainframe is required to extend through the door.**

#### DOOR SIZE\*

Approximate door size in inches (width x height)

#### DOOR FRAME MATERIAL

C: 304 Stainless Steel  
 Ø: Painted Mild Steel

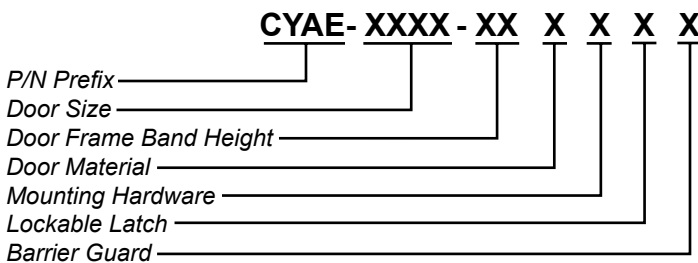
#### MOUNTING HARDWARE

M: With Mounting Hardware  
 Ø: Without Mounting Hardware

#### BARRIER GUARD

G: With Barrier Guard  
 Ø: Without Barrier Guard

### Martin® Extended-Height Steel Inspection Door



#### DOOR SIZE\*

Approximate door size in inches (width x height)

#### DOOR FRAME BAND HEIGHT

Height in inches from 03 to 12. Max. height for 0912, 1214, and 1218 doors is 8 in.

#### DOOR MATERIAL

C: 304 Stainless Steel  
 Ø: Painted Mild Steel

#### LOCKABLE LATCH

L: With Lockable Latch  
 Ø: With Standard Latch

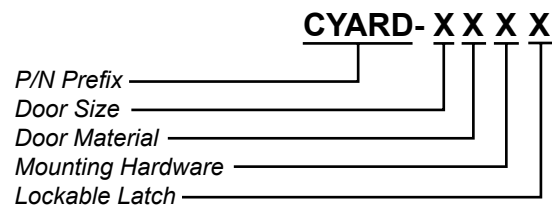
#### MOUNTING HARDWARE

M: With Mounting Hardware  
 Ø: Without Mounting Hardware

#### BARRIER GUARD

G: With Barrier Guard  
 Ø: Without Barrier Guard

### Martin® Round Steel Inspection Door



#### DOOR SIZE

Approximate door size in inches (diameter)

#### DOOR MATERIAL

C: 304 Stainless Steel  
 S: 316 Stainless Steel  
 Ø: Painted Mild Steel

#### MOUNTING HARDWARE

M: With Mounting Hardware  
 Ø: Without Mounting Hardware

#### LOCKABLE LATCH

L: With Lockable Latch  
 Ø: With Standard Latch

# TECHNICAL DATA SHEET

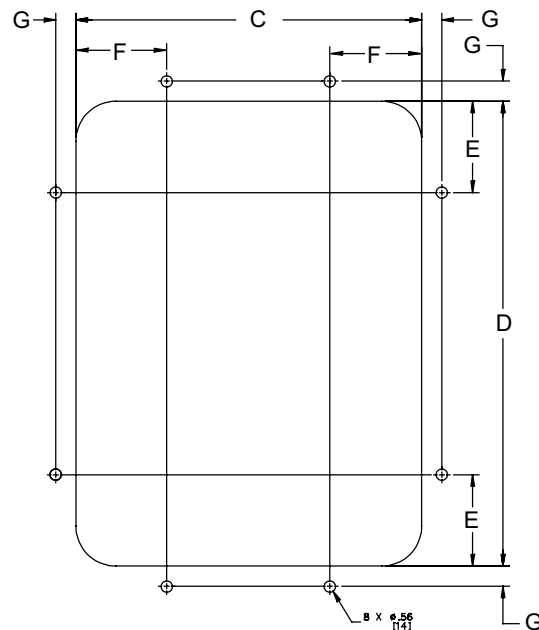
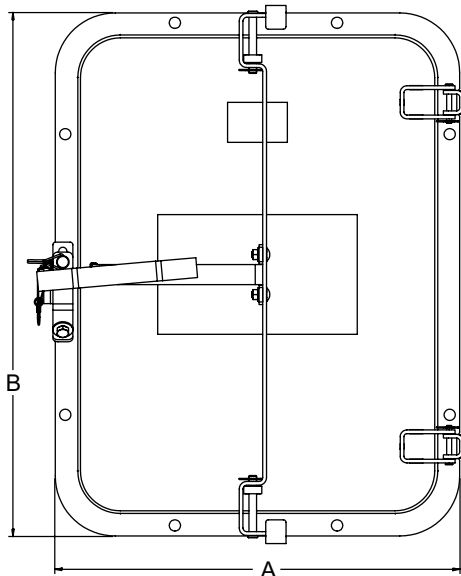
DIMENSIONS -- in. (mm)

Martin® Rubber Inspection Door Part Numbers*					
	CYAR-0912	CYAR-1214	CYAR-1218	CYAR-1824	CYAR-2424
"A"	11.25 (286)	14.50 (368)	14.19 (360)	20.25 (514)	25.94 (659)
"B"	14.38 (365)	16.50 (419)	20.25 (514)	26.19 (665)	25.94 (659)
"C"	8.75 (222)	12.00 (305)	11.69 (297)	17.75 (451)	23.44 (595)
"D"	11.88 (302)	14.00 (356)	17.75 (451)	23.69 (607)	23.44 (595)
"E"	2.81 (71)	2.81 (71)	2.81 (71)	4.81 (122)	4.81 (122)
"F"	2.81 (71)	2.81 (71)	2.81 (71)	4.81 (122)	4.81 (122)
"G"	0.75 (19)	0.75 (19)	0.75 (19)	0.75 (19)	0.75 (19)

\*Martin® Rubber Inspection Doors should only be used when belt cleaner mainframe is required to extend through the door.

Martin® Steel Inspection Door Part Numbers								
	CYA-0912	CYA-1212	CYA-1214	CYA-1218	CYA-1812	CYA-1814	CYA-1818	CYA-1824
"A"	11.26 (286)	14.20 (360)	14.20 (360)	14.20 (360)	20.26 (514)	20.26 (514)	20.26 (514)	20.26 (514)
"B"	14.39 (365)	14.39 (365)	16.26 (413)	20.26 (514)	14.20 (360)	16.26 (413)	20.26 (514)	26.20 (665)
"C"	8.25 (210)	11.19 (284)	11.19 (284)	11.19 (284)	17.25 (438)	17.25 (438)	17.25 (438)	17.25 (438)
"D"	11.38 (289)	11.38 (289)	13.25 (337)	17.25 (438)	11.19 (284)	13.25 (337)	17.25 (438)	23.19 (589)
"E"	2.56 (65)	2.56 (65)	2.56 (65)	2.56 (65)	2.56 (65)	2.56 (65)	2.56 (65)	4.56 (116)
"F"	2.56 (65)	2.56 (65)	2.56 (65)	2.56 (65)	2.56 (65)	2.56 (65)	2.56 (65)	4.56 (116)
"G"	1.00 (25)	1.00 (25)	1.00 (25)	1.00 (25)	1.00 (25)	1.00 (25)	1.00 (25)	1.00 (25)

	CYA-2020	CYA-2030	CYA-2418	CYA-2424	CYA-2436	CYA-3018	CYA-3030	CYA-3636
"A"	22.26 (565)	23.50 (597)	26.44 (672)	26.19 (665)	26.19 (665)	33.50 (851)	33.50 (851)	39.50 (1003)
"B"	22.26 (565)	33.50 (851)	20.50 (521)	26.19 (665)	39.50 (1003)	20.50 (521)	33.50 (851)	39.50 (1003)
"C"	19.25 (489)	20.25 (514)	23.19 (589)	22.94 (583)	22.94 (583)	30.25 (768)	30.25 (768)	36.25 (921)
"D"	19.25 (489)	30.25 (768)	17.25 (438)	22.94 (583)	36.25 (921)	17.25 (438)	30.25 (768)	36.25 (921)
"E"	4.56 (116)	4.56 (116)	2.56 (65)	4.56 (116)	4.56 (116)	2.56 (65)	4.56 (116)	4.56 (116)
"F"	4.56 (116)	4.56 (116)	4.56 (116)	4.56 (116)	4.56 (116)	4.56 (116)	4.56 (116)	4.56 (116)
"G"	1.00 (25)	1.00 (25)	1.00 (25)	1.00 (25)	1.00 (25)	1.00 (25)	1.00 (25)	1.00 (25)



**Problem Solved™ GUARANTEED!**

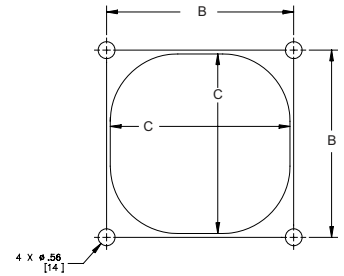
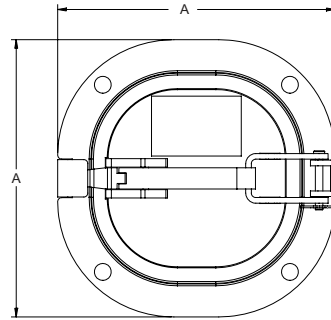
Form No. L3432-03/15  
© Martin Engineering Company 1998, 2015

# TECHNICAL DATA SHEET

## MARTIN® ROUND STEEL INSPECTION DOOR

### DIMENSIONS -- in. (mm)

Part No.	"A"	"B"	"C"
CYARD-4XXX	7.75 (197)	5.25 (133)	4.50 (114)
CYARD-6XXX	9.25 (235)	6.25 (159)	6.00 (152)
CYARD-8XXX	11.25 (286)	7.75 (197)	8.00 (203)



**Martin Engineering USA**  
One Martin Place  
Neponset, IL 61345-9766 USA  
800 544 2947 or 309 852 2384  
Fax 800 814 1553  
www.martin-eng.com

**COMPANY WITH  
QUALITY SYSTEM  
CERTIFIED BY DNV  
= ISO 9001:2008 =**

**Problem Solved™ GUARANTEED!**

Form No. L3432-03/15  
© Martin Engineering Company 1998, 2015