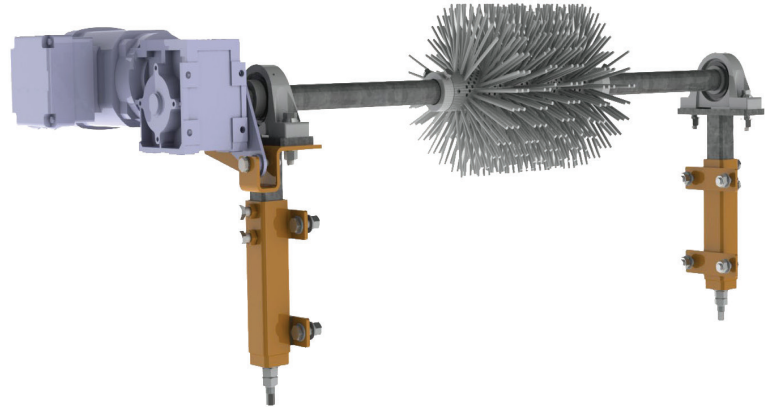


# MARTIN® BRUSH CLEANER

The [MARTIN® brush cleaner](#), either on its own or in combination with other cleaners, removes material residues from conveyor belts and therefore prevents the formation of dust and accumulations of material along the belt conveyor system.



## BENEFITS

- Effective Cleaning**  
 Removes carry back fines and fibers with powered rotary action.
- Economical Solution**  
 Powerful electro motor affords highly efficient and at the same time cost-effective solution for removing fine particles and fibrous material from conveyor belts by a long service life even under the most severe operating conditions.
- Flexible Operation**  
 The motor can be operated in reverse condition. This solution gives an opportunity for motor installation on the left or right side. The new optimised brush segment system allows the easy mounting and changing of wear parts.
- Tough Applications**  
 The MARTIN® Brush Cleaner is especially good on difficult applications, like belts with ribs, cleats, grooves, or chevrons, or belts carrying sticky materials, or stringy fibers. Three options of the bristles pattern allowed flexible cleaning options under dry, medium and higher moisture content.

## TECHNICAL DATA

<b>Voltage range of 50 Hz [V]</b>	230 / 400
<b>Rated current [A]</b>	2,80 / 1,62
<b>Output torque [Nm]</b>	34
<b>Speed [r/min.]</b>	135
<b>Motor power [kW]</b>	0,55
<b>Protection</b>	IP55
<b>IS characteristics</b>	plug complete
<b>Thermal class</b>	B (130°C)
<b>Connectors</b>	IS (= integrated connector)
<b>Corrosion Protection Surface protection</b>	OS3
<b>Operation temperature</b>	-20°C to +60°C
<b>Bracket, Bolts, Screws and Tensioners</b>	Mild steel S235JR (1.0037)*
<b>Shaft</b>	Mild steel S235JR (1.0037) / Stainless steel (1.4301)*
<b>Bristle material (standard)</b>	Polyester (PBT)*
<b>Bristle material for higher temperatures</b>	Brass*

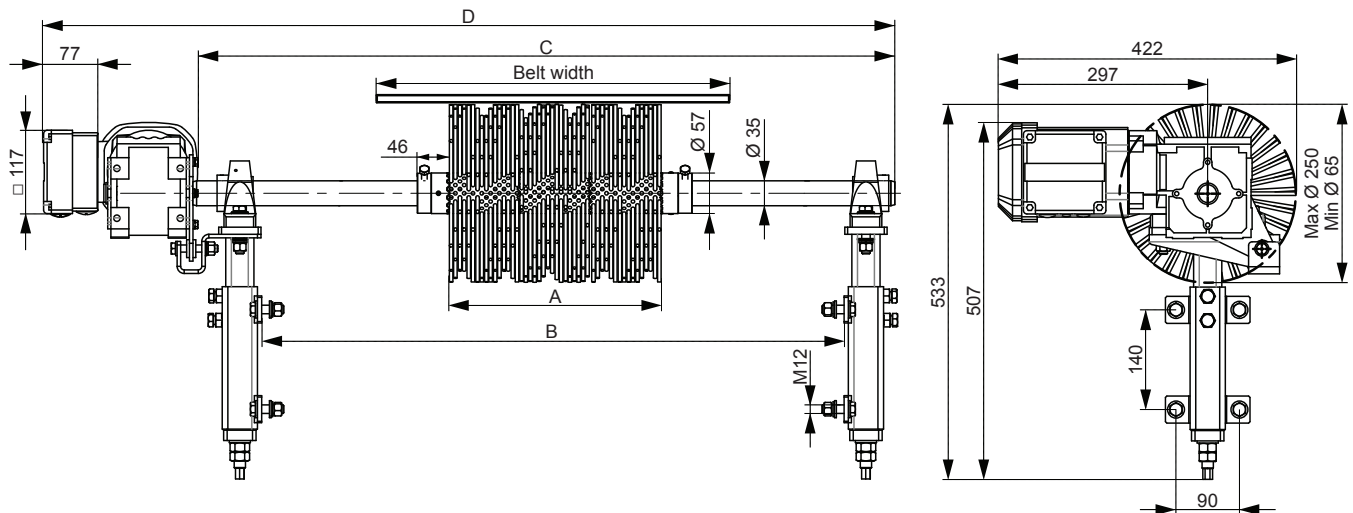
\* On request in other materials available.

## APPLICATION GUIDELINES

Martin Engineering's Brush Cleaners are designed for use in the secondary cleaning position. The recommended placement is at the point where the belt leaves the discharge pulley.

The MARTIN® Brush Cleaner may also be mounted further along the conveyor's return run where it can be supported by an idler or pulley. Installation of a pre cleaner on the discharge pulley is always recommended.

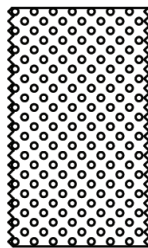
## MARTIN® BRUSH CLEANER



### OPTIONS

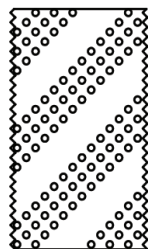
#### MARTIN® FULL SEAT BRUSH CLEANER

Bristles are wrapped in a continuous full seat around brush shaft to form effective cleaning system. The full seat provides effective cleaning performance on belts with carrying dry, dusty, crumbled materials that readily release from bristles.



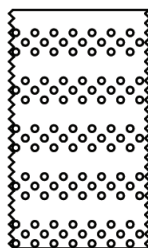
#### MARTIN® SPIRAL BRUSH CLEANER

Bristles are wrapped in a continuous spiral pattern around the brush shaft. The spiral brush pattern provides effective cleaning performance for medium moist, clinging materials that cling to bristles and build up on brush shaft.



#### MARTIN® LINEAR BRUSH CLEANER

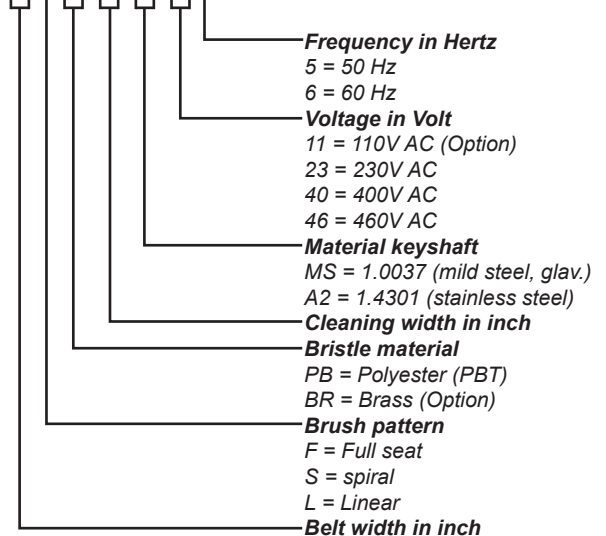
The linear pattern provides effective cleaning performance for higher moisture content. The linear brush pattern remove the material that falls more easily from the brush and does not collect on the lower sections of the bristles.



Part Number 41580-	Belt width [inch] / [mm]	A [inch] / [mm]	B [mm]	C [mm]	D [mm]
18XXX12XXXX-00	18 / 500	12 / 300	1000	1170	1382
24XXX20XXXX-00	24 / 650	20 / 500	1150	1320	1532
30XXX24XXXX-00	30 / 800	24 / 600	1300	1470	1682
36XXX28XXXX-00	36 / 950	28 / 700	1450	1620	1832
42XXX36XXXX-00	42 / 1100	36 / 900	1600	1770	1982
48XXX40XXXX-00	48 / 1200	40 / 1000	1750	1920	2132
48XXX43XXXX-00	48 / 1200	43 / 1100	1750	1920	2132
54XXX47XXXX-00	54 / 1400	47 / 1200	1900	2070	2282
60XXX51XXXX-00	60 / 1500	51 / 1300	2050	2220	2432
66XXX59XXXX-00	66 / 1650	59 / 1500	2200	2370	2582
72XXX63XXXX-00	72 / 1800	63 / 1600	2350	2520	2732
78XXX71XXXX-00	78 / 2000	71 / 1800	2400	2670	2882

#### 41580-XXXXXXXXXXXX-00

#### NOMENCLATURE



**Martin Engineering GmbH**  
 In der Rehbach 14  
 D-65396 Walluf, Germany  
 Tel. +49 (0)6123 97820  
 Fax +49 (0)6123 75533  
 info@martin-eng.de | www.martin-eng.de

Subject to change without prior notice. Quality Management System Certified by DNV - ISO 9001 This technology is protected by US Patent No. 8.888.888

