

# Martin® Twist Tensioner



Keep the pressure on with this rugged yet simple belt cleaner tensioning device from Martin Engineering.

The Martin® Twist Tensioner supplies consistent pressure to keep blades against the belt for effective cleaning, regardless of the state of blade wear.

The Martin® Twist Tensioner uses the force stored in a twisted rubber sleeve to provide the steady pressure that allows even, effective cleaning.

This tensioner can be used on either a pre-cleaner or secondary cleaner from Martin Engineering's Martin® DH, Martin® DT, or Martin® QC™ Belt Cleaner families.

## BENEFITS

### • Self-Relieving

If cleaner blades are "pulled through," the tensioner's internal self-relieving coupling rolls over. This releases the pressure on the rubber tensioning sleeve, without exposing personnel or equipment to the risk of injury from a rotating external hub.

### • Easy To Tension

Simply turn the tensioning gear until you feel the resistance of the blades against the belt. Then turn the gear the additional number of notches indicated on the label (as determined by the width of the conveyor belt).

### • Absorbs Splice Shock

Rubber bushings cushion splice impact and minimize damage to belt, splice, and cleaning edge.

### • Low Maintenance

The tensioner maintains consistent blade-to-belt pressure. The set-resistance 60 A Durometer natural rubber sleeve overcomes the need for periodic retensioning necessary to compensate for pressure loss or worn blades.

### • Guaranteed

Like all Martin® Products, the Martin® Twist Tensioner is covered by Martin Engineering's *Absolutely, Positively, No Excuses, Guarantee.*

## Nomenclature

**38850 - X X**

P/N Prefix

Tensioner

Mounting Options

### Tensioner

Ø: Single Tensioner

2: Dual Tensioner

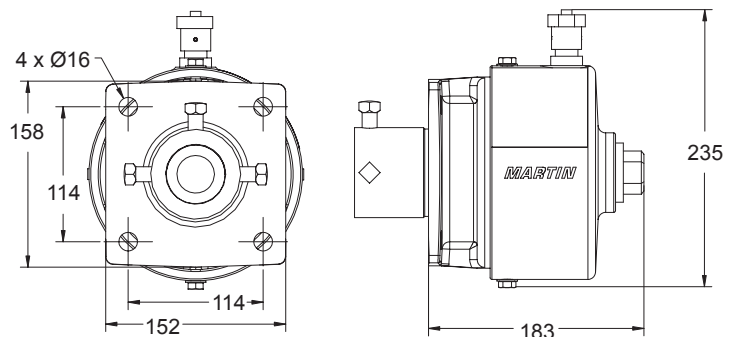
### Mounting Options

A: Weldable Adapter Plate Kit

L: "L" Bracket Mounting Hardware

M: Metric Mounting Hardware

## Dimensions in mm



### Martin Engineering GmbH

In der Rehbach 14  
D-65396 Walluf, Germany  
Ph. +49 (0)6123 97820  
Fax +49 (0)6123 75533  
info@martin-eng.de | www.martin-eng.de

### Martin Engineering Ltd

8, Experian Way, NG2 Business Park  
Nottingham NG2 1EP Nottinghamshire, UK  
Tel 0044 (0)115 946 4746  
Fax 0044 (0)115 946 5550  
info@martin-eng.co.uk | www.martin-eng.co.uk



Subject to change without prior notice. Quality management system certified according to DNV - ISO 9001