

Martin® QC1+™ Cleaner HD MT One-Piece Mainframe



The **Martin® QC1+™ Cleaner HD MT*** was developed for the toughest application conditions. The economically efficient system consisting of pre-cleaner and tensioner combines efficient cleaning with a long wear life and minimum maintenance effort.

The use of different urethane blades makes this pre-cleaner suitable for normal use as well as for applications with high temperatures or highly abrasive conditions.

*MT = Metal Tipped

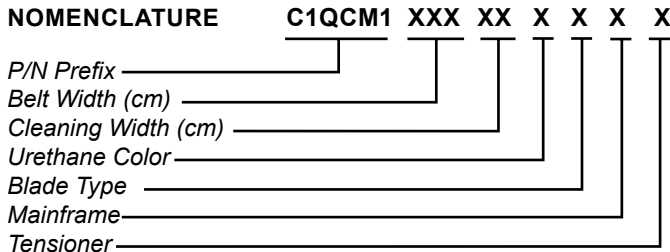
SPECIFICATIONS

Belt Widths (mm)	Pulley Diameter* (mm)	Maximum Belt Speed (m/sec.)	Operating Temperature** (°C)	Reversing operation***
500 - 2400	300 - 600	4,6	-40 - +150	Yes

*Pulley diameter greater than 600 mm: contact your Martin Engineering representative.

**Depending on polyurethane type

***Reversing operation is possible but has no cleaning effect.



FEATURES & BENEFITS

- Same ease of installation as original Martin® QC1™ Cleaners, maintaining standard installation and service costs.

BELT WIDTH

XXX: indicates belt width in cm (050 - 240)

CLEANING WIDTH*

XX: as Belt Width (cm) less xx (cm)

URETHANE COLOR

- 0:** No Blade
- B:** Brown
- G:** Green
- O:** Orange

BLADE TYPE

- 0:** No Blade
- T:** Mild Steel TC Tips
- C:** Stainless Steel TC Tips

MAINFRAME

- A:** Stainless Steel
- B:** Extended Stainless steel
- E:** Extended Painted Steel
- P:** Painted Steel

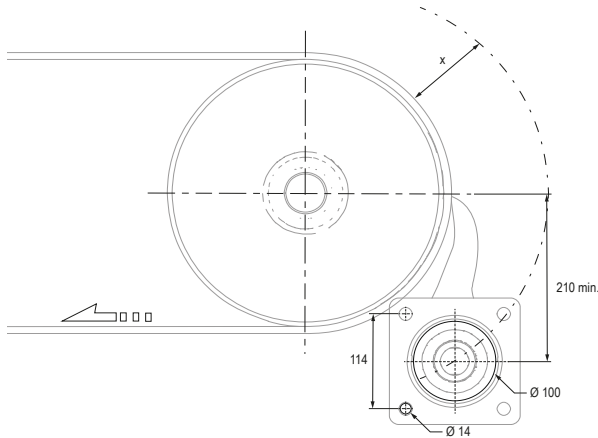
TENSIONER

- T:** Martin® Twist Tensioner (P/N 38850)
- S:** Martin® Spring Tensioner (P/N 38180)
- P:** Martin® Spring Tensioner Stainless Steel (P/N 38180-SS)
- 0:** No tensioner

* Available Cleaning Width (= Blade Width) Options are shown in the table on page 2 or drawing C1QCM1XXXXXXXXXX

TECHNICAL DATA SHEET

MOUNTING LOCATION



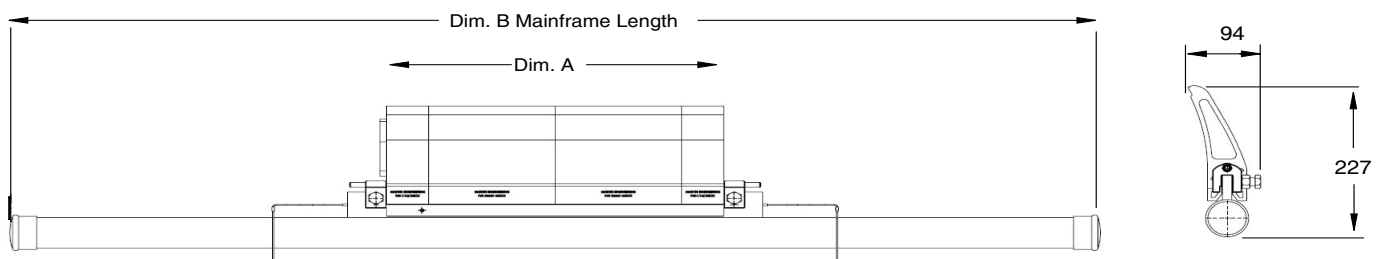
Pulley Diameter* (mm)	Mounting Location X (mm)
300-375	114
376-475	102
476-600	89

*(Including pulley lining and conveyor belt)

DIMENSIONS (mm)

Belt Width (mm)	Cleaning Width (A)		Mainframe Length (B)	
	min. (mm)	max. (mm)	Standard (mm)	Extended (mm)
500	305	406	1.300	1.700
600	406	457	1.400	1.800
650	457	559	1.450	1.850
750	559	610	1.550	1.950
800	610	711	1.600	2.000
900	610	711	1.700	2.100
1.000	711	762	1.800	2.200
1.050	762	864	1.850	2.250
1.200	864	1016	2.000	2.400
1.350	1016	1168	2.150	2.550
1.400	1016	1219	2.200	2.600
1.500	1016	1321	2.300	2.700
1.600	1168	1372	2.400	2.800
1.650	1168	1473	2.450	2.850
1.800	1321	1626	2.600	3.000
2.000	1473	1778	2.800	3.200
2.100	1524	1930	2.900	3.300
2.200	1626	1981	3.000	3.400
2.400	1778	2235	3.200	3.600

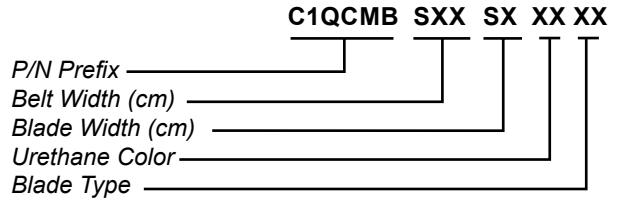
Note: Dimension A equals belt width minus XX cm.
Dual Tensioners are required for belt widths greater than 1400 mm.



RECOMMENDED TENSIONERS

Tensioner	P/N
Martin® Twist Tensioner	38850
Martin® HD Twist Dual Tensioner	38850-2

REPLACEMENT BLADE NOMENCLATURE



FREQUENTLY ASKED QUESTIONS

- My Pre-Cleaner keeps flipping through.
The mounting location may be too far away from the belt. Relocate to the proper dimension. Replace the mainframe if they are bent.
- My Pre-Cleaner is wearing more in the center of the blade.
The blade is too wide for this application. Replace with a shorter length blade.

BELT WIDTH

SXX: indicates belt width in inches.

BLADE WIDTH*

- 00:** No Blade
S2: 2 inch less belt width
S6: 6 inch less belt width
S8: 8 inch less belt width

URETHANE COLOR

- BC:** Brown
GC: Green
OC: Orange

BLADE TYPE

- T1:** Mild Steel TC Tips(Solid)
C1: Stainless Steel TC Tips (Solid)

**Available Blade Width (= Cleaning Width) Options are shown on drawing C1QCM1XXXXXXXXXX*



Martin Engineering Ltd
 The Tangent Hub, Unit 33,
 Weighbridge Rd, Shirebrook,
 Mansfield, NG20 8RX, UK
 Ph.: 0044 (0)115 946 4746
 info@martin-eng.co.uk | www.martin-eng.co.uk