

Martin® Typhoon Air cannon

The Martin® Typhoon Air Cannon has a hybrid valve concept that is more effective, requires less air and facilitates maintenance of challenging applications that have a limited budget.



Features

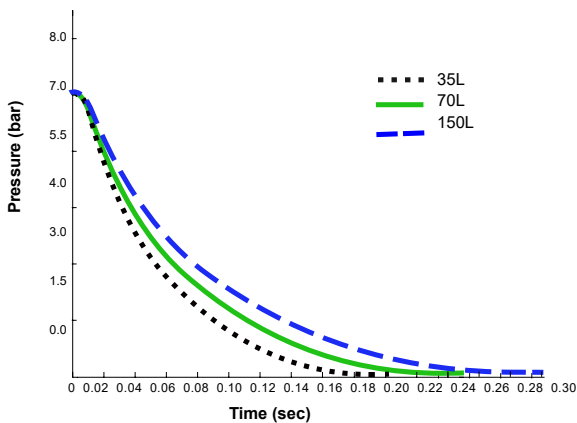
- Enables higher power discharge with lower air consumption than with a conventional XHV Air Cannon.
- Only an air line for filling the tank and triggering of the valve is required.
- The complete valve assembly can be removed in one easy step, working from one side of the tank. There is never any need to remove the tank from the process vessel for servicing reasons.
- The activation through a pressure drop in the (fill) and control line, allows a economic retrofit from older air cannon systems by utilizing the existing control system.

Technical data:

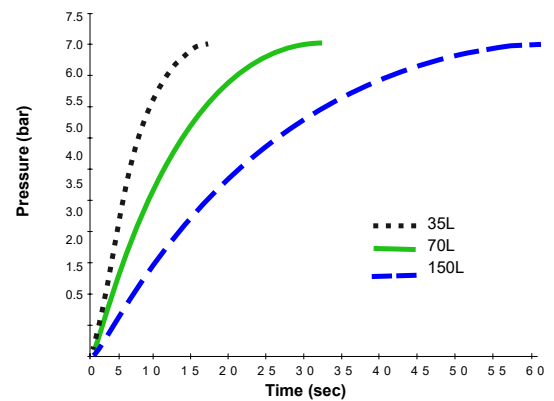
| | |
|-------------------------------------|----------------------|
| Operating pressure (min. - max.) | 3 - 10 bar |
| Operating temperature (min. - max.) | -30 °C up to +150 °C |

Performance Data

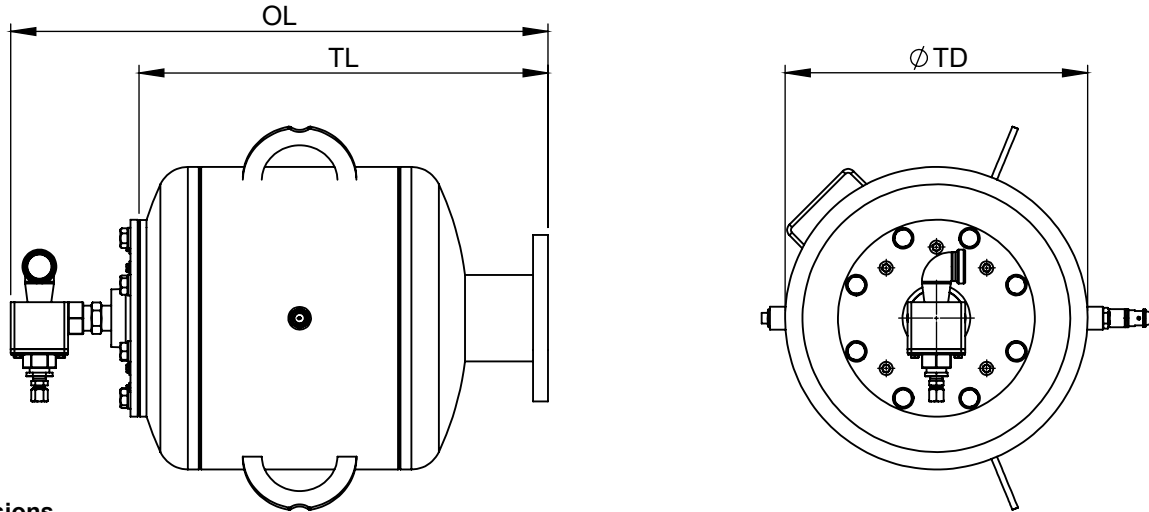
Discharge time at 7 bar operating pressure



Fill time at 7 bar operating pressure



TECHNICAL DATASHEET



Dimensions

| Model | Part No. | TD mm | OL mm | TL mm | Weight kg |
|--------------|---------------------|-------|-------|-------|-----------|
| Typhoon 35L | 38005-035FD-XXXXX+E | 400 | 710 | 541 | 50 |
| Typhoon 70L | 38005-070FD-XXXXX+E | 500 | 758 | 588 | 61 |
| Typhoon 150L | 38005-150FD-XXXXX+E | 600 | 1000 | 830 | 85 |

Part number

38005 - AAA FD - BB C D E FFFF +E

5 digit part number
 Tank size in litre
 Working pressure max.
 Temperature range
 Certification
 Tank finish
 Customer specific options

A: Tank size in litre

B: Pressure range
 10: 10 bar

C: Temperature range
 D: -30°C/+150°C

D: Certification

C: CE certification
G: RTN (GOST-R) certification

E: Tank finish

P: Powder-coated (RAL 2004)
C: Special painted C5M (RAL 2004)
Z: Zinc plated

Air volume

(standard atmosphere according to ISO 2533, rounded off to a temperature of 15 °C and a pressure of 1013 hPa)

| Air pressure (relative) bar | 35 litres | 70 litres | 150 litres |
|-----------------------------|-----------|-----------|------------|
| 1 | 35 | 70 | 150 |
| 4 | 140 | 280 | 600 |
| 6 | 210 | 420 | 900 |
| 8 | 280 | 560 | 1250 |
| 10 | 350 | 700 | 1500 |

Note

The air cannon tanks are manufactured according to EC guideline 2014/29/EU. For corrosion protection, the air cannon tanks are painted (RAL 3009) from the inside and powder-coated (RAL 2004) from the outside.

Guaranteed engineering and installation of Typhoon air cannons is available from Martin Services. Maintenance is also available from Martin Service Technicians. Certified drawings of air cannon systems installations are available from Martin Engineering. Additional certifications as RTN (formerly GOST-R), ASME and others are also possible on request.

For further information, contact Martin Engineering at 0044 (0)115 946 4746 or visit our website www.martin-eng.co.uk.



Martin Engineering Germany

In der Rehbach 14
 65396 Walluf, Germany
 Ph.: 0049 (0)6123 9782 0
 Fax 0049 (0)6123 7 55 33
info@martin-eng.eu | www.martin-eng.de

Martin Engineering Ltd

The Tangent Hub, Unit 33,
 Weighbridge Rd, Shirebrook,
 Mansfield, NG20 8RX, UK
 Ph.: 0044 (0)115 946 4746
info@martin-eng.co.uk | www.martin-eng.co.uk



Subject to change without prior notice. Quality management system certified according to DNV - ISO 9001

Problem Solved™ GUARANTEED!

Publication no. L3809UK-03/22
 © Martin Engineering Company 2022