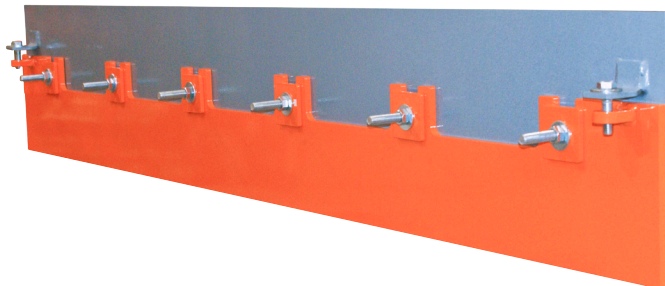


# Martin® External Wear Liner Retrofit Kit



Installed outside conveyor transfer point skirtboards, [Martin® External Wear Liner Retrofit Kit](#) is an economical upgrade that improves skirtboard sealing and prevents spillage. Wearliner can typically be installed without requiring work inside chute or interfering with existing chute supports.

Martin® External Wear Liner can easily be installed on existing studs in applications already using Martin® ApronSeal™ skirting and clamps.

## BENEFITS

### Improves Sealing

Keep the burden of cargo away from sealing system.

### Simple Installation

Wear liner plates mount to the outside of existing transfer point skirtboard, without interfering with existing supports.

### Easy Adjustment

Jack screws provide precise adjustment of wear liner to reduce spillage.

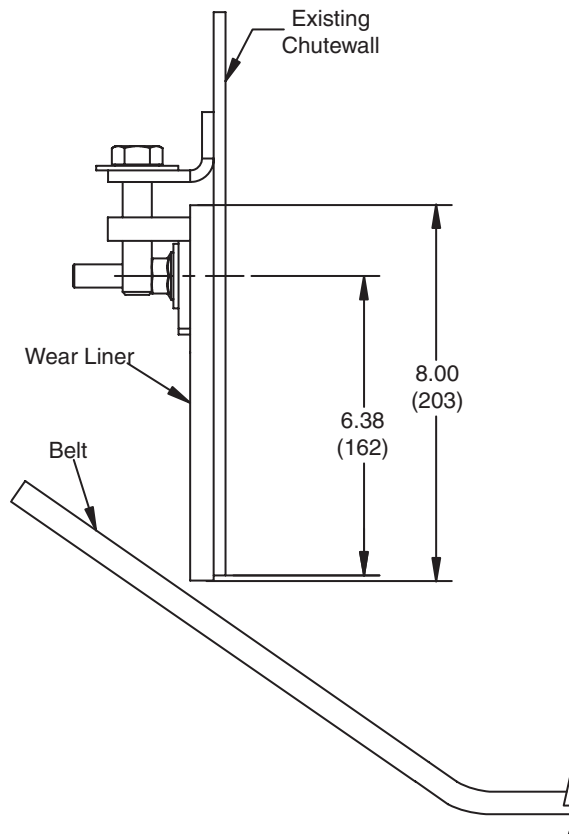
### Suits Cargo and Conditions

Available in 3/8 or 1/2 in. thick Brinell 400 or Brinell 500 abrasion-resistant plate. Fits conveyors with trough angles from flat to 35°. Standard length is 72 in. (1829 mm).

### Improves Maintenance

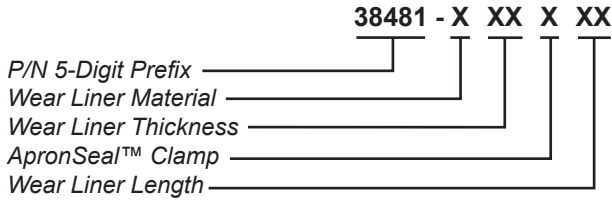
Replacing worn external wear liner requires minimal welding and no chute entry.

Item	Part Number
External Wear Liner Retrofit Kit	38481-XXXS



# TECHNICAL DATA SHEET

## Martin® External Wear Liner



### WEAR LINER MATERIAL

**4:** AR400  
**5:** AR500  
**C:** 304 SS  
**S:** 316 SS

### WEAR LINER THICKNESS

**25:** .25 inch (AR400 & AR500 only)  
**38:** .38 inch  
**50:** .50 inch

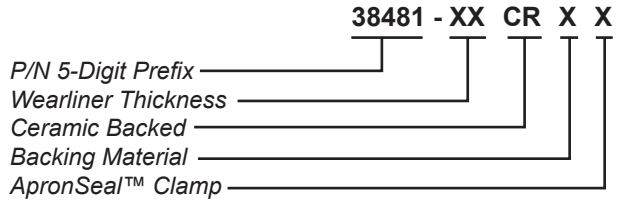
### APRONSEAL™ CLAMP

**Blank:** without Clamp  
**S:** with Standard Clamp  
**Q:** with Quick Release Clamp (AR400 & AR500 only)

### WEAR LINER LENGTH

**Blank:** 72 inches  
**48:** 48 inches

## Martin® External Wear Liner—Ceramic



### WEARLINER THICKNESS

**50:** .50 inch

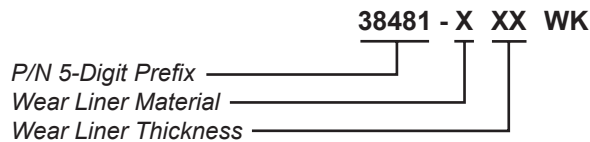
### BACKING MATERIAL

**P:** Mild Steel  
**C:** 304 SS  
**S:** 316 SS

### CLAMP

**Blank:** No ApronSeal™ Clamp  
**S:** with ApronSeal™ Clamp

## Martin® External Wear Liner—Replacement Kit



### WEAR LINER MATERIAL

**5:** AR500

### WEAR LINER THICKNESS

**25:** .25 inch  
**38:** .38 inch  
**50:** .50 inch



### Martin Engineering USA

One Martin Place  
Neponset, IL 61345-9766 USA  
800 544 2947 or 309 852 2384  
Fax 800 814 1553  
www.martin-eng.com

COMPANY WITH  
QUALITY SYSTEM  
CERTIFIED BY DNV  
= ISO 9001:2008 =