

Martin® Inspection Doors



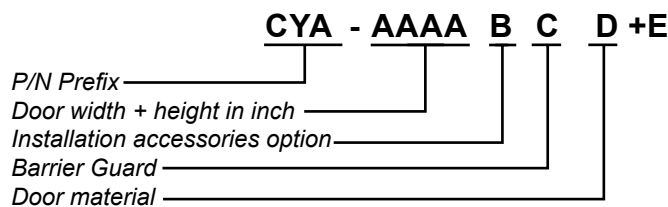
Available in mild steel or stainless steel, Martin® Inspection Doors provide quick and easy access to belt cleaners and other components inside chutes and enclosures for inspection or service.

The inspection doors can be used in in temperatures from -30°C up to +80°C. Various sizes are available depending on the needs.

BENEFITS

- **Safe:**
Improves safety when conducting maintenance, inspections and cleaning of the conveyor components.
- **Versatile:**
Various sizes available. Available in mild and stainless steel option. Steel door withstands typical positive and negative pressure applications.
- **Compliant with safety requirements:**
Mesh size of the barrier guard and captive screws make the doors fully compliant with European safety standards.
- **Dust-Tight Seal:**
Latch closes the door tightly and rubber seal prevents material escape.
- **Easy to install:**
Door is bolted to enclosure wall.
- **Compact:**
“Low-Profile” design makes it easy to fit the door into tight spaces.

NOMENCLATURE



A: Door dimensions
Approximate door size
in inches (width x height)

B: Installation accessories option
M: with mounting kit

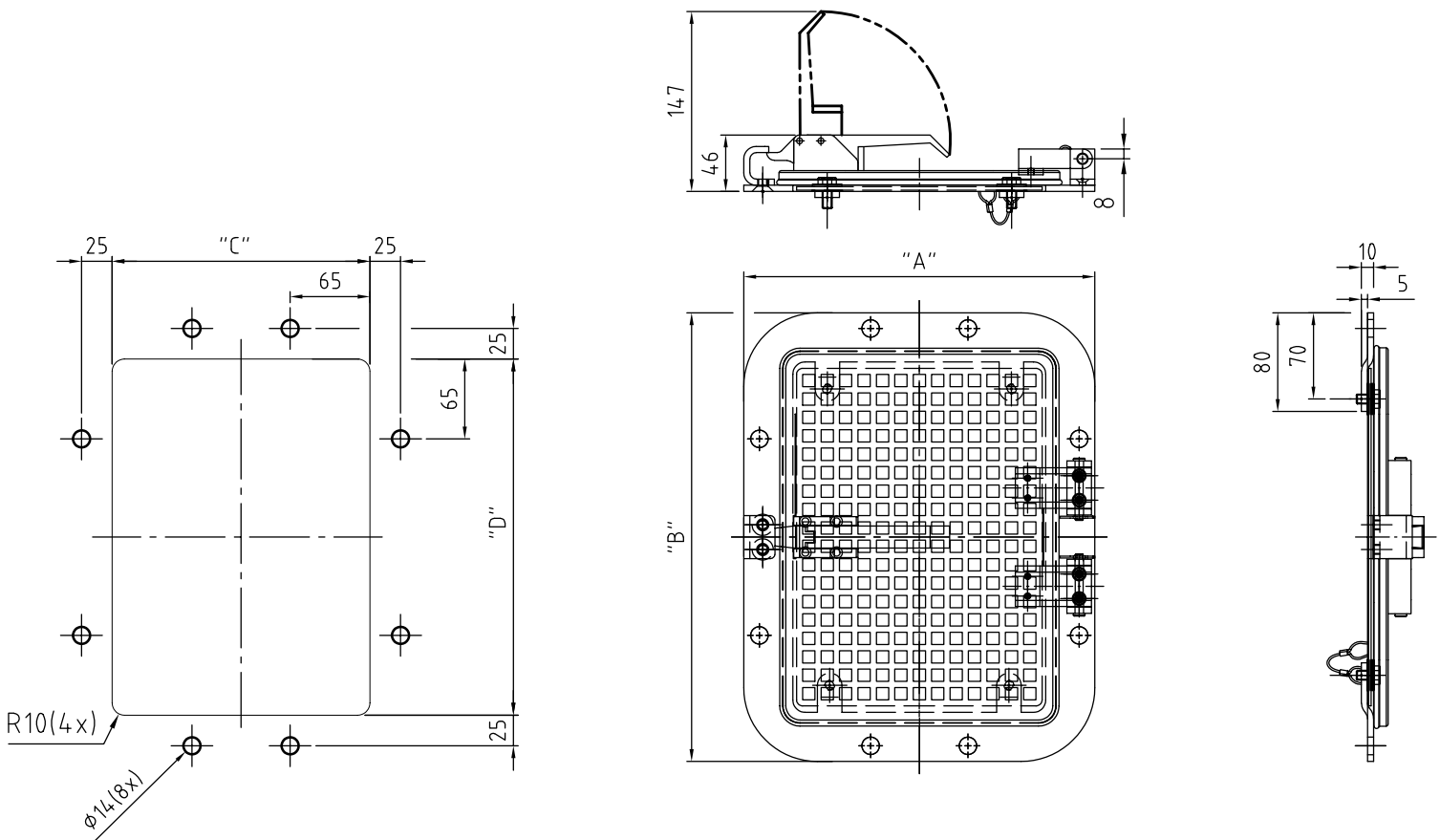
C: Barrier Guard
G: with Barrier Guard

D: Door material
P: Mild Steel Painted
A2: Stainless Steel (1.4301)

TECHNICAL DATA SHEET

MARTIN® INSPECTION DOOR DIMENSIONS

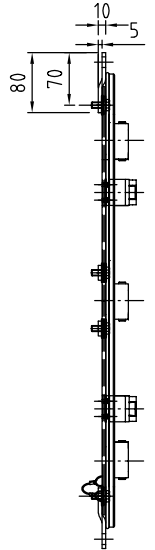
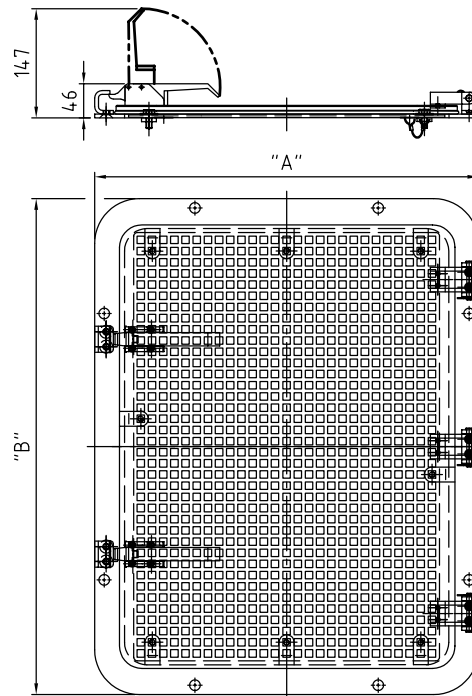
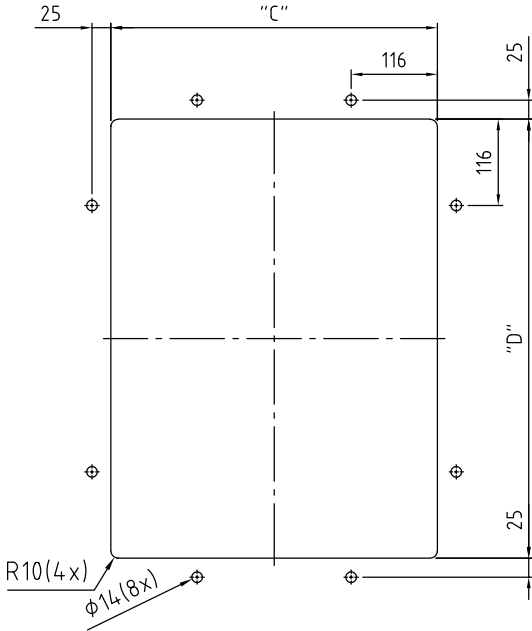
| Assy P/N | "A" (mm) | "B" (mm) | "C" (mm) | "D" (mm) |
|----------------|-------------|-------------|-------------|-------------|
| CYA-0912MG-X+E | 286 | 365 | 210 | 289 |
| CYA-1212MG-X+E | 360 | 365 | 284 | 289 |
| CYA-1214MG-X+E | 360 | 410 | 284 | 337 |
| CYA-1218MG-X+E | 360 | 515 | 284 | 438 |



TECHNICAL DATA SHEET

MARTIN® INSPECTION DOOR DIMENSIONS (2)

| Assy P/N | "A" (mm) | "B" (mm) | "C" (mm) | "D" (mm) |
|----------------|-------------|-------------|-------------|-------------|
| CYA-1818MG-X+E | 515 | 515 | 438 | 438 |
| CYA-1824MG-X+E | 515 | 665 | 438 | 589 |
| CYA-2424MG-X+E | 665 | 665 | 583 | 583 |
| CYA-3030MG-X+E | 850 | 850 | 768 | 768 |



Martin Engineering Ltd
 The Tangent Hub, Unit 33,
 Weighbridge Rd, Shirebrook,
 Mansfield, NG20 8RX, UK
 Ph.: 0044 (0)115 946 4746
 info@martin-eng.co.uk | www.martin-eng.co.uk