

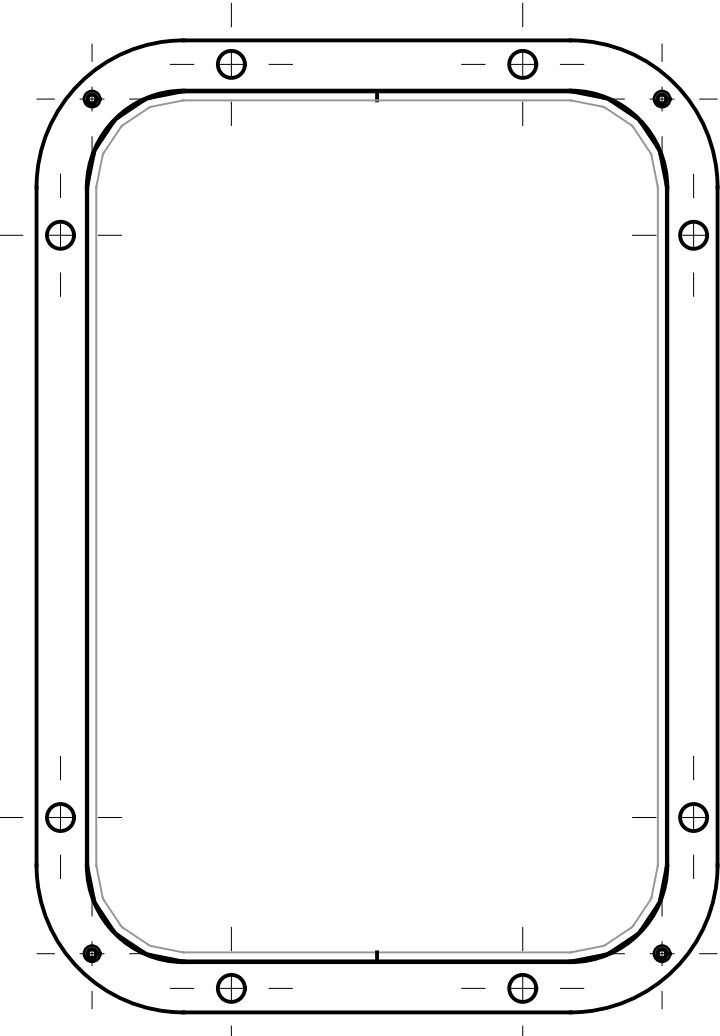
ASSEMBLY PART NO.	DIM "A"	DIM "B"	DIM "C"	DIM "D"	BLADE QTY	TENS COMPRESSED SPRING HEIGHT	TENSIONER NO. OF FULL TURNS
DT2H-18X12XXXX	12.00 [305]	27.00 [686]	36.16 [918]	50.50 [1283]	2	2.25 [57]	1
DT2H-18X18XXXX	18.00 [457]	27.00 [686]	36.16 [918]	50.50 [1283]	3	2.25 [57]	1
DT2H-24X18XXXX	18.00 [457]	33.00 [838]	42.16 [1071]	56.50 [1435]	3	2.13 [54]	2
DT2H-24X24XXXX	24.00 [610]	33.00 [838]	42.16 [1071]	56.50 [1435]	4	2.13 [54]	2
DT2H-30X24XXXX	24.00 [610]	39.00 [991]	48.16 [1223]	62.50 [1588]	4	2.13 [54]	2
DT2H-30X30XXXX	30.00 [762]	39.00 [991]	48.16 [1223]	62.50 [1588]	5	2.13 [54]	2
DT2H-36X30XXXX	30.00 [762]	45.00 [1143]	54.16 [1376]	68.50 [1740]	5	2.00 [51]	3
DT2H-36X36XXXX	36.00 [914]	45.00 [1143]	54.16 [1376]	68.50 [1740]	6	2.00 [51]	3
DT2H-42X36XXXX	36.00 [914]	51.00 [1295]	60.16 [1528]	74.50 [1892]	6	2.00 [51]	3
DT2H-42X42XXXX	42.00 [1067]	51.00 [1295]	60.16 [1528]	74.50 [1892]	7	2.00 [51]	3
DT2H-48X42XXXX	42.00 [1067]	57.00 [1448]	66.16 [1680]	80.50 [2045]	7	1.88 [48]	4
DT2H-48X48XXXX	48.00 [1219]	57.00 [1448]	66.16 [1680]	80.50 [2045]	8	1.88 [48]	4
DT2H-54X48XXXX	48.00 [1219]	63.00 [1600]	72.16 [1833]	86.50 [2197]	8	2.25 [57]	1
DT2H-54X54XXXX	54.00 [1372]	63.00 [1600]	72.16 [1833]	86.50 [2197]	9	2.25 [57]	1
DT2H-60X54XXXX	54.00 [1372]	69.00 [1753]	78.16 [1985]	92.50 [2350]	9	2.13 [54]	2
DT2H-60X60XXXX	60.00 [1524]	69.00 [1753]	78.16 [1985]	92.50 [2350]	10	2.13 [54]	2
DT2H-66X60XXXX	60.00 [1524]	75.00 [1905]	84.16 [2138]	98.50 [2502]	10	2.13 [54]	2
DT2H-66X66XXXX	66.00 [1676]	75.00 [1905]	84.16 [2138]	98.50 [2502]	11	2.13 [54]	2
DT2H-72X66XXXX	66.00 [1676]	81.00 [2057]	90.16 [2290]	104.50 [2654]	11	2.13 [54]	2
DT2H-72X72XXXX	72.00 [1829]	81.00 [2057]	90.16 [2290]	104.50 [2654]	12	2.13 [54]	2
DT2H-78X72XXXX	72.00 [1829]	87.00 [2210]	96.16 [2442]	110.50 [2807]	12	2.13 [54]	2
DT2H-84X72XXXX	72.00 [1829]	93.00 [2362]	102.16 [2595]	116.50 [2959]	12	2.13 [54]	2
DT2H-84X78XXXX	78.00 [1981]	93.00 [2362]	102.16 [2595]	116.50 [2959]	13	2.13 [54]	2
DT2H-84X84XXXX	84.00 [2134]	93.00 [2362]	102.16 [2595]	116.50 [2959]	14	2.13 [54]	2
DT2H-90X84XXXX	84.00 [2134]	99.00 [2515]	108.16 [2747]	122.50 [3112]	14	2.13 [54]	2
DT2H-90X90XXXX	90.00 [2286]	99.00 [2515]	108.16 [2747]	122.50 [3112]	15	2.13 [54]	2
DT2H-96X78XXXX	78.00 [1981]	105.00 [2667]	114.16 [2900]	128.50 [3264]	13	2.00 [51]	3
DT2H-96X90XXXX	90.00 [2286]	105.00 [2667]	114.16 [2900]	128.50 [3264]	15	2.00 [51]	3
DT2H-96X96XXXX	96.00 [2438]	105.00 [2667]	114.16 [2900]	128.50 [3264]	16	2.00 [51]	3
DT2H-102X96XXXX	96.00 [2438]	111.00 [2819]	120.16 [3052]	134.50 [3416]	16	2.00 [51]	3
DT2H-114X108XXXX	108.00 [2743]	123.00 [3124]	132.16 [3357]	146.50 [3721]	18	1.88 [48]	4
DT2H-120X120XXXX	120.00 [3048]	129.00 [3277]	138.16 [3509]	158.50 [4026]	20	1.88 [48]	4

ASSEMBLY PART NO.	BLADE TYPE	BLADE PART NO.
DT2H-XXAXXXXX	TALL REVERSING TC	39539-TXX
DT2H-XXCXXXXX	TALL REVERSING TC W/SS UPRIGHT	39539-TSSXX
DT2H-XXRXXXXX	REVERSING TC W/SS UPRIGHT	32494-TSSXX
DT2H-XXTXXXXX	REVERSING TC	32494-TXX
DT2H-XXUXXXXX	REVERSING URETHANE	32494-06UXX

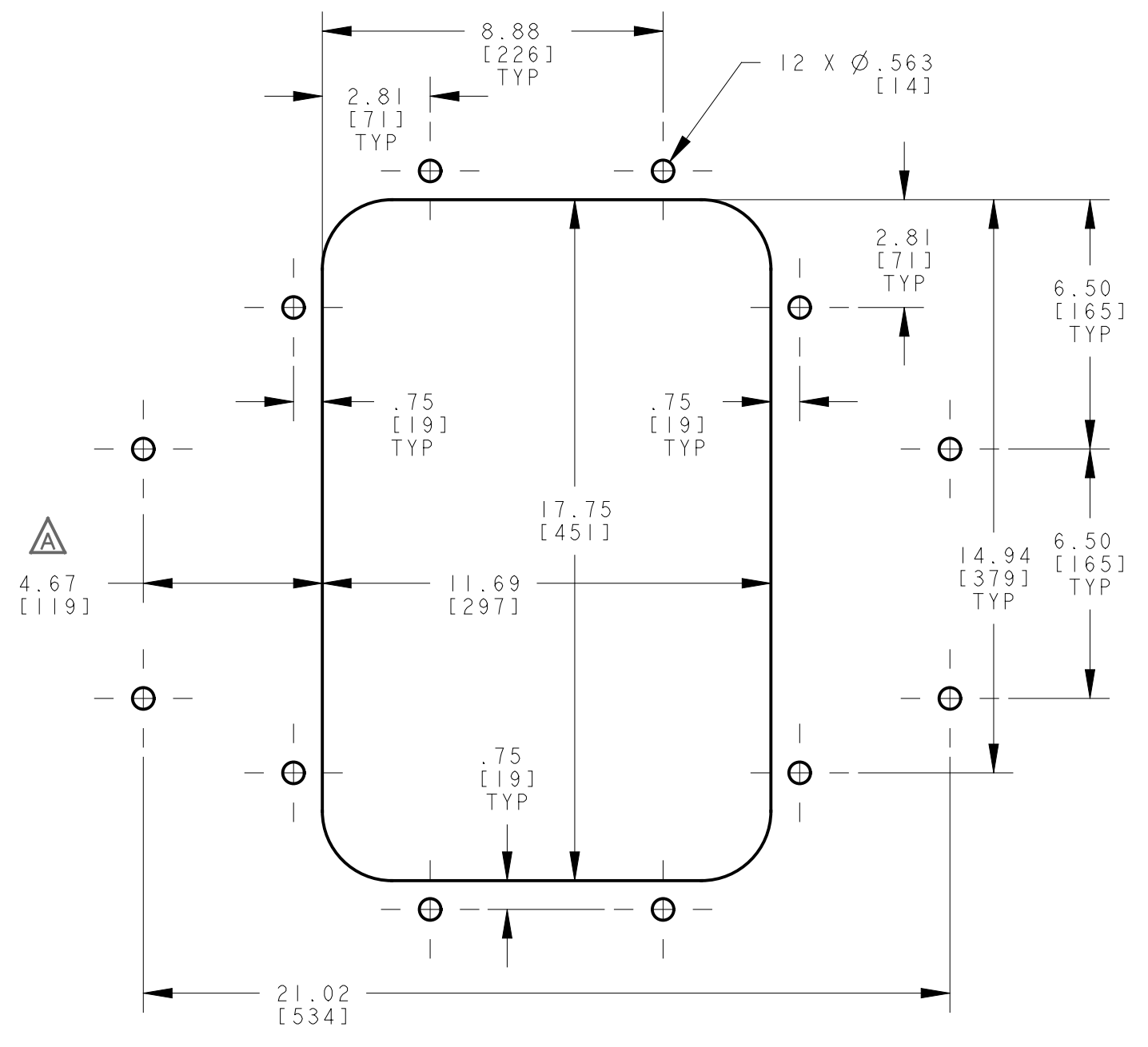
TENSIONER PART NO.	BELT WIDTHS
37806	18.00-48.00 [457-1219]
37806-1	54.00-96.00 [1372-2438]

ITEM	QTY.	DESCRIPTION	PART NUMBER
1	1	DT2H SPLIT TRACK SECONDARY ASM	SEE CHART
2	1	XHD INLINE/REV SPRING TENSIONER	SEE CHART
3	S/C	REPLACEMENT REVERSING BLADE	SEE CHART
4	1	RUBBER ACCESS DOOR 12 X 18	CYAR-1218
5	1	"Z" BRACKET ASM FOR DT2H CLNR	38032-01

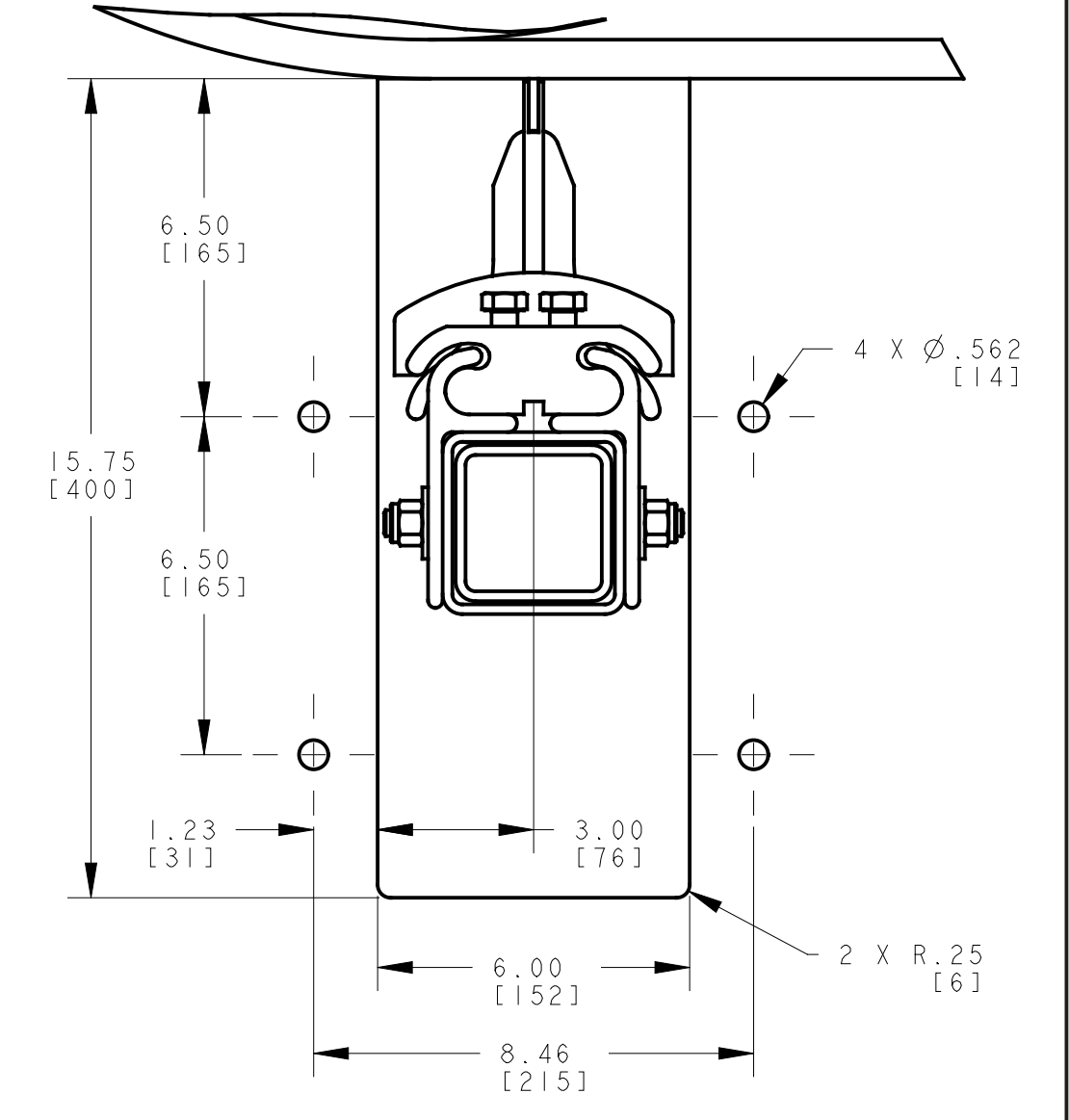
S/C = SEE CHART



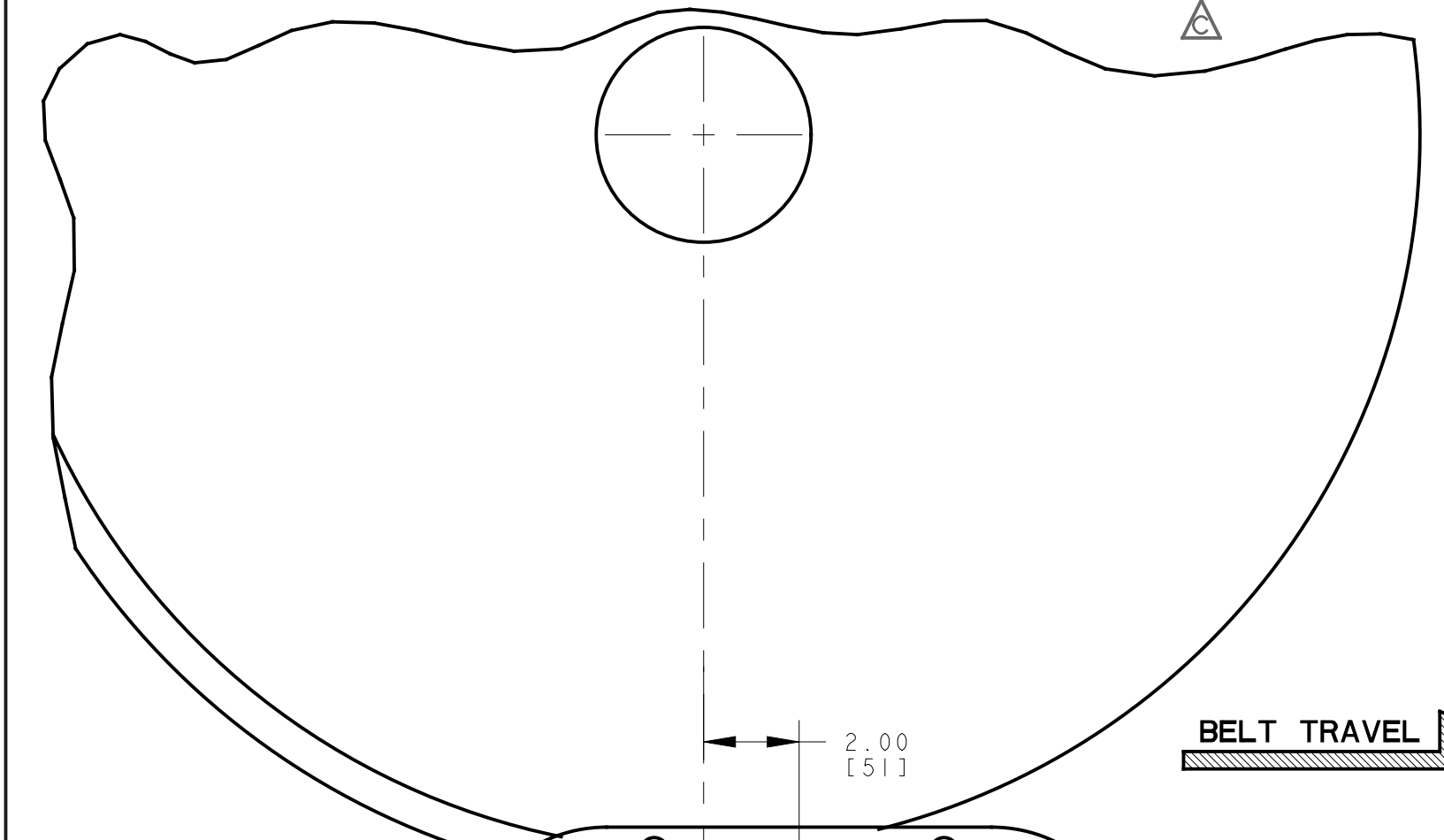
12.00 X 18.00 ACCESS DOOR DETAIL
SCALE 1/4



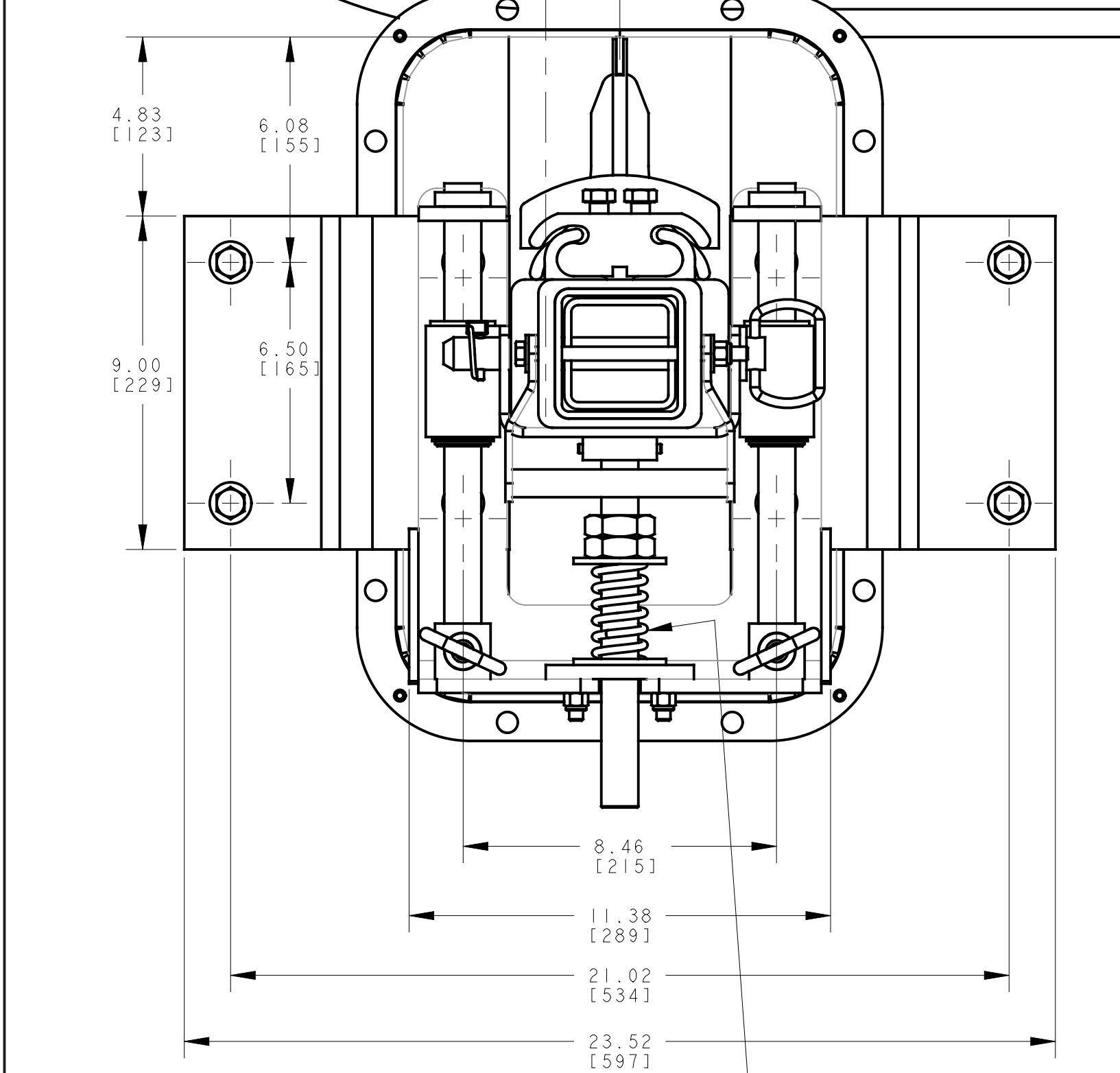
OPERATORS SIDE CHUTE CUTOUT DETAIL
SCALE 1/4



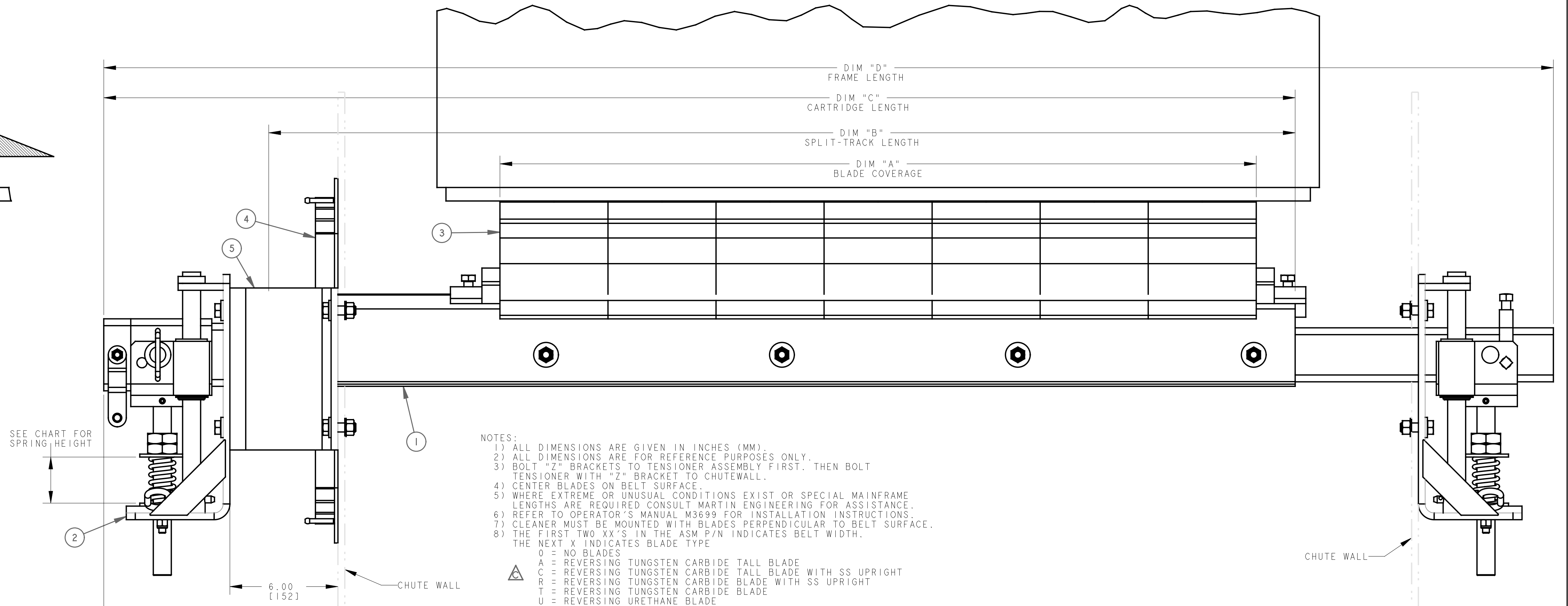
FAR SIDE CHUTE CUTOUT DETAIL
SCALE 9/32



BELT TRAVEL



TENSIONER SHOWN IN UN-TENSIONED POSITION



- NOTES:
- 1) ALL DIMENSIONS ARE GIVEN IN INCHES (MM).
 - 2) ALL DIMENSIONS ARE FOR REFERENCE PURPOSES ONLY.
 - 3) BOLT "Z" BRACKETS TO TENSIONER ASSEMBLY FIRST, THEN BOLT TENSIONER WITH "Z" BRACKET TO CHUTEWALL.
 - 4) CENTER BLADES ON BELT SURFACE.
 - 5) WHERE EXTREME OR UNUSUAL CONDITIONS EXIST OR SPECIAL MAINFRAME LENGTHS ARE REQUIRED CONSULT MARTIN ENGINEERING FOR ASSISTANCE.
 - 6) REFER TO OPERATOR'S MANUAL M3699 FOR INSTALLATION INSTRUCTIONS.
 - 7) CLEANER MUST BE MOUNTED WITH BLADES PERPENDICULAR TO BELT SURFACE.
 - 8) THE FIRST TWO XX'S IN THE ASM P/N INDICATES BELT WIDTH. THE NEXT X INDICATES BLADE TYPE.
 - 0 = NO BLADES
 - A = REVERSING TUNGSTEN CARBIDE TALL BLADE
 - C = REVERSING TUNGSTEN CARBIDE TALL BLADE WITH SS UPRIGHT
 - R = REVERSING TUNGSTEN CARBIDE BLADE WITH SS UPRIGHT
 - T = REVERSING TUNGSTEN CARBIDE BLADE
 - U = REVERSING URETHANE BLADE
 - 9) THE NEXT TWO XX'S INDICATE BLADE COLOR.
 - 00 = NO BLADES
 - BR = BROWN
 - GR = GREEN
 - OR = ORANGE
 - 10) THE NEXT X INDICATES MAINFRAME TYPE:
 - P = PAINTED
 - S = 316 STAINLESS STEEL
 - 11) THE LAST X INDICATES ACCESSORY OPTIONS:
 - 0 = NO TENSIONER
 - A = HEAVY DUTY INLINE/REV AIR TENSIONER
 - S = HEAVY DUTY INLINE/REV SPRING TENSIONER

NO.	DESCRIPTION	ECN	DATE	BY
D	ADDED P/N DT2H-96X78XXXX TO CHART (PRI4500)	----	05/22/23	JAH
C	ADDED P/N DT2H-XXAXXXXX, -XXCXXXXX & -XXRXXXXX TO BLADE P/N CHART / ADDED P/N DT2H-72X72XXXX, -78X72XXXX, -84X72XXXX, -84X84XXXX, -90X84XXXX, -96X84XXXX, -102X84XXXX, -114X108XXXX & -120X120XXXX TO CHART / UPDATED DIM "D" TO MATCH THE DT2H ASM DWG / ADDED BLADE OPTIONS "C" & "R" & MAINFRAME OPTION "S" TO P/N NOTE / ADDED NOTE "TENSIONER SHOWN IN UN-TENSIONED POSITION"	16261	01/23/23	JAH
B	CHGD P/N FROM 27658-1218 TO CYAR-1218 IN BOM	12561	04/06/10	MJB
A	CHGD DIM FROM 3.92 TO 4.67	----	07/12/06	RND

Copyright 2023 Martin Engineering. All rights reserved. Covered by U.S. and foreign patents pending and issued. ® and TM indicate trademarks of Martin Engineering.

MARTIN ENGINEERING
NEPONSET, IL USA

TITLE DT2H DURT TRACKER™
SPLIT-TRACK SEC ASM
W/REV BLD/SPR TENS

DRAWN RND
DATE 07/07/06
CHECKED
ENG. JLD
DATE 07/07/06
APPROVED JMM
DATE 07/07/06
SCALE 9/32

SALES DRAWING
PR10454 S50038-RS