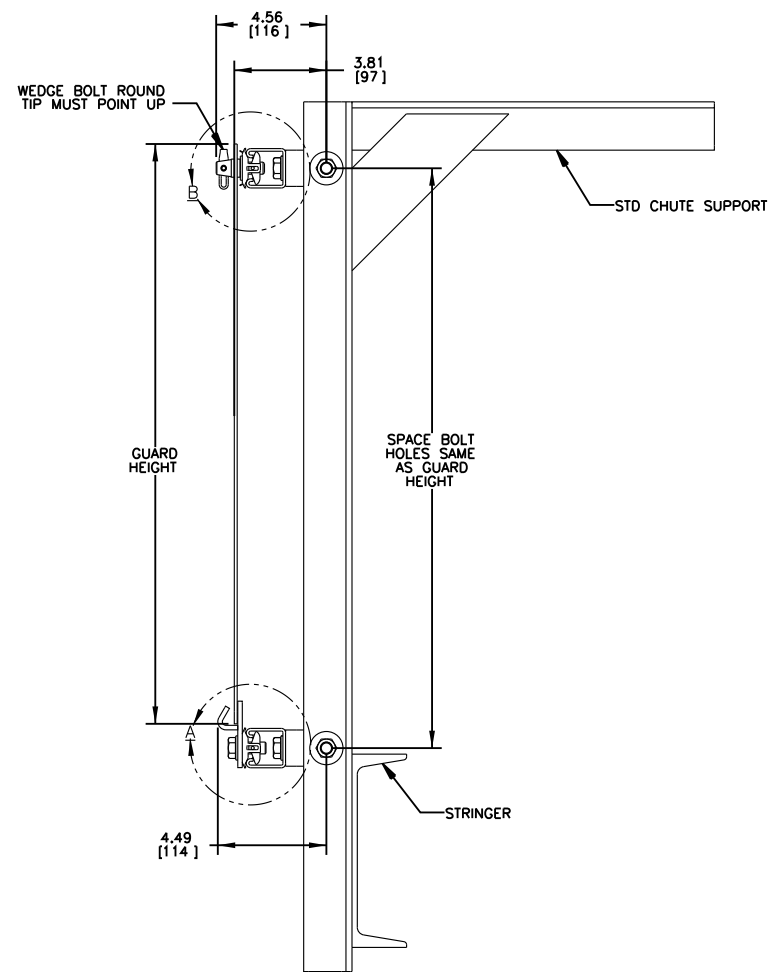
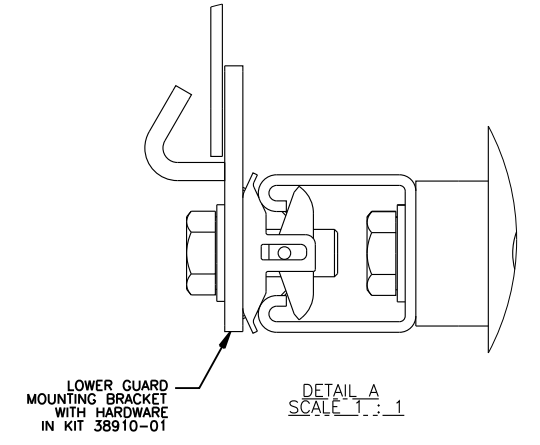
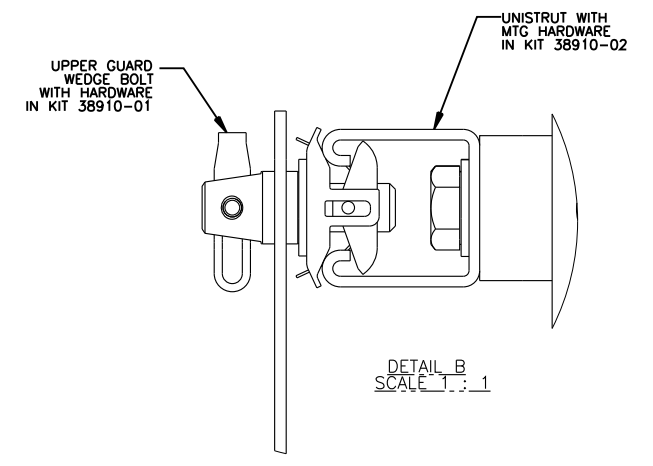
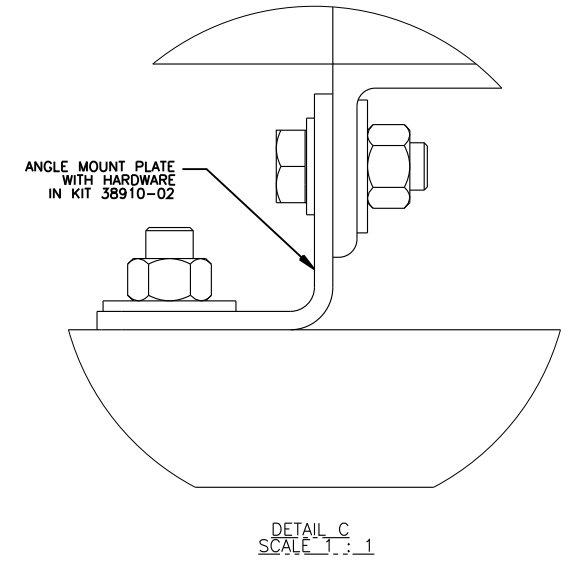
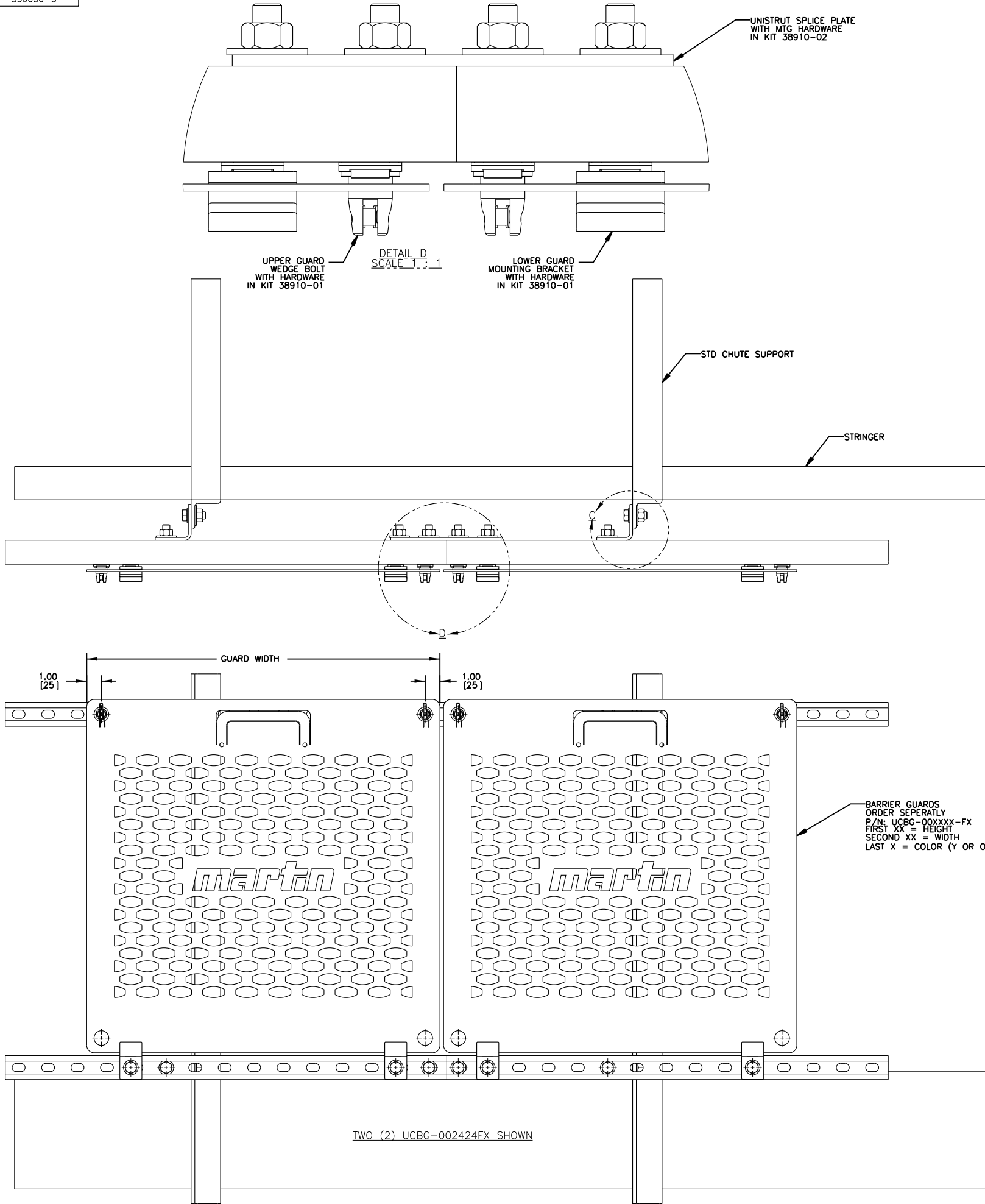


ITEM	QTY	DESCRIPTION	PART NUMBER
1	S/N	BARRIER GUARD UNISTRUT MTG HARDWARE	38910-01
2	S/N	BARRIER GUARD UNISTRUT AND HARDWARE	38910-02

S/N = SEE NOTE 4



- NOTES:
- 1) ALL DIMENSIONS ARE GIVEN IN INCHES [MM].
  - 2) ALL DIMENSIONS ARE FOR REFERENCE ONLY.
  - 3) INTEGRATED HANDLES ARE FIELD MODIFIABLE TO BE BENT UP INTO WORKING POSITION.
  - 4) ONE (1) P/N 38910-01 REQUIRED FOR EVERY BARRIER GUARD. ONE (1) P/N 38910-02 REQUIRED FOR EVERY 10 FEET OF GUARDING REQUIRED.

Copyright 2011 Martin Engineering. All rights reserved. Covered by U.S. and foreign patents pending and issued. ® and ™ indicate trademarks of Martin Engineering.

**MARTIN ENGINEERING** USA BUSINESS UNIT

TITLE	BARRIER GUARD UNISTRUT INSTALLATION ON STD CHUTE SUPPORTS	DRAWN RND	DATE 08/24/11
CHECKED		CHECKED	
ENG. <i>JAP</i>		DATE 09/15/11	
APPROVED <i>JM</i>		DATE 09/16/11	
SALES DRAWING		SCALE 1:4	

NO.	DESCRIPTION	ECN	DATE	BY
	REVISION			



