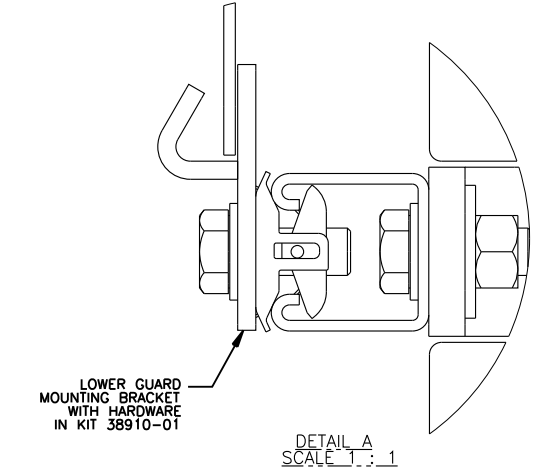
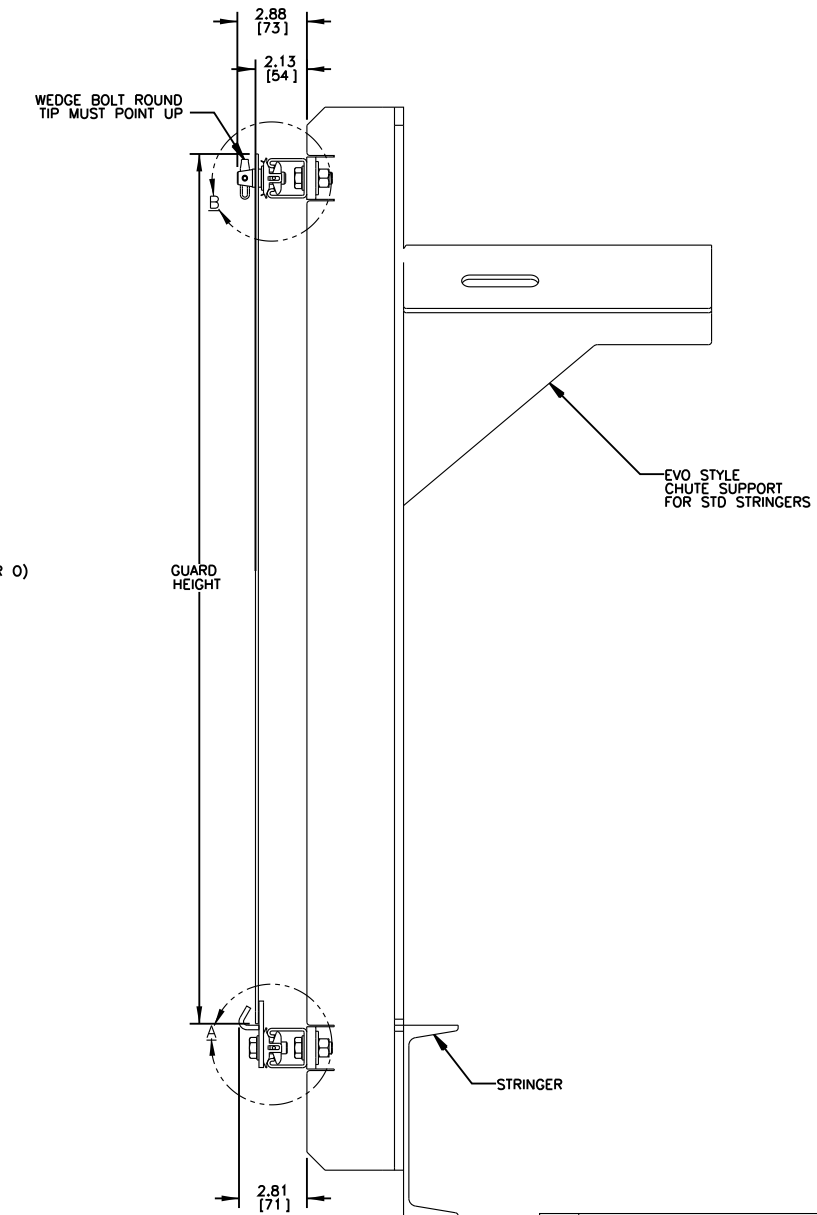
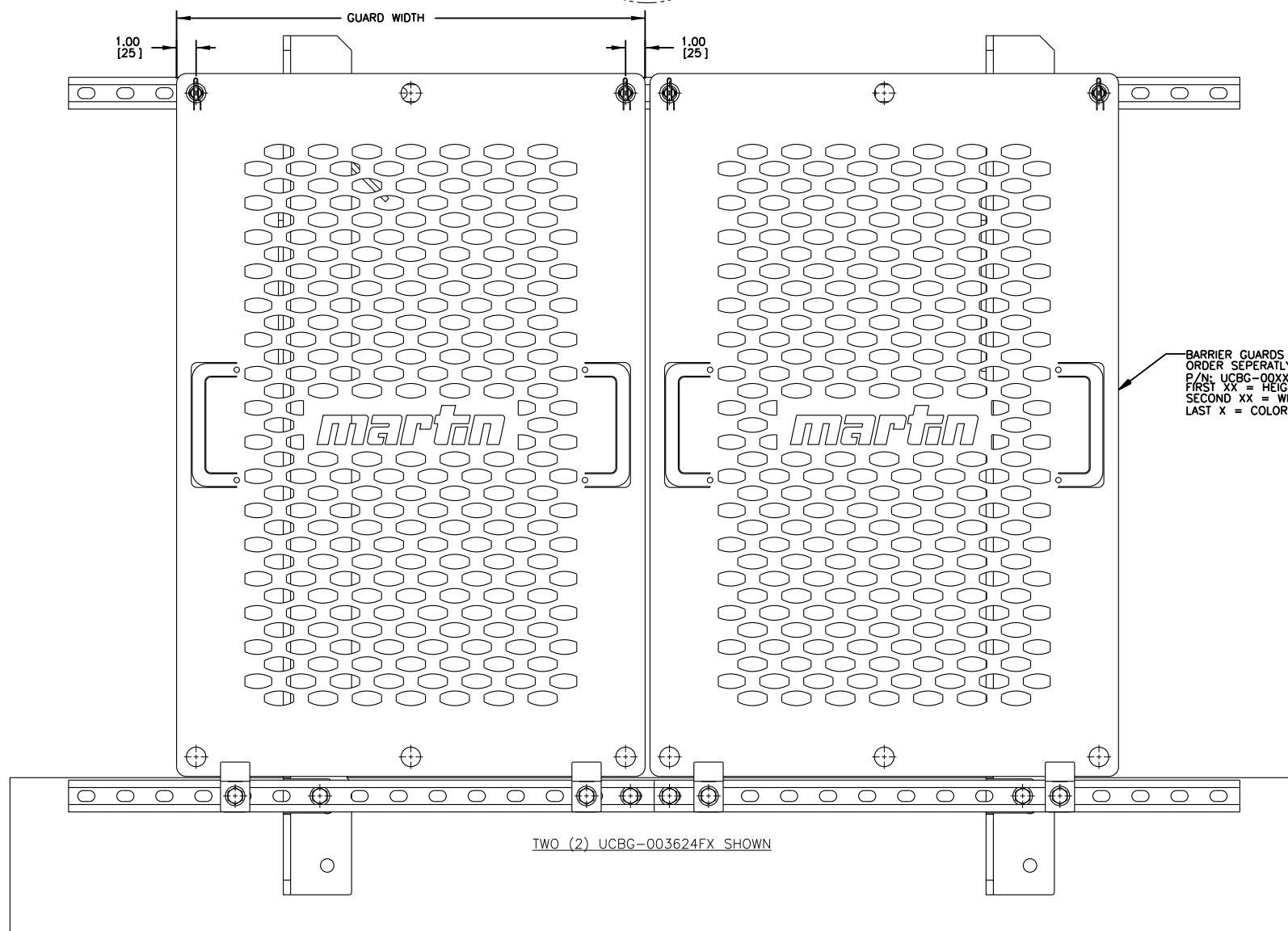
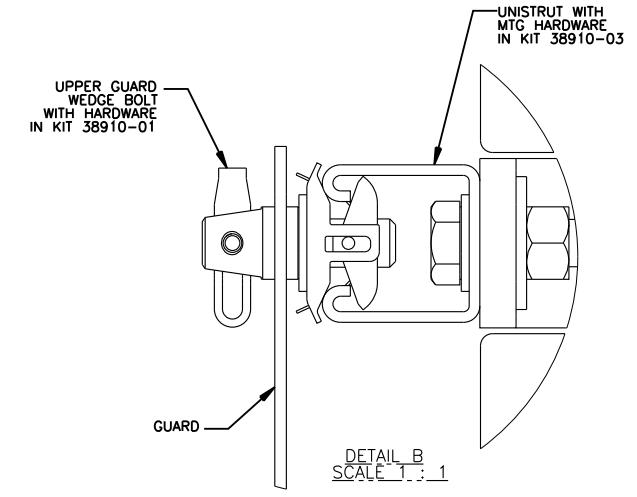
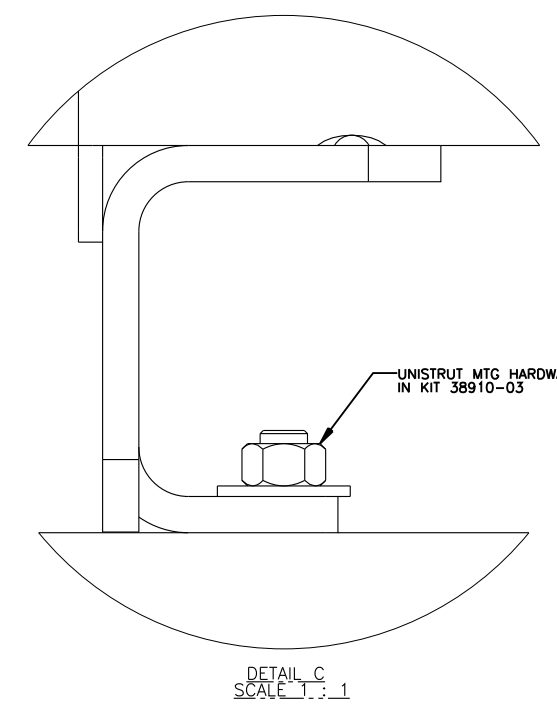
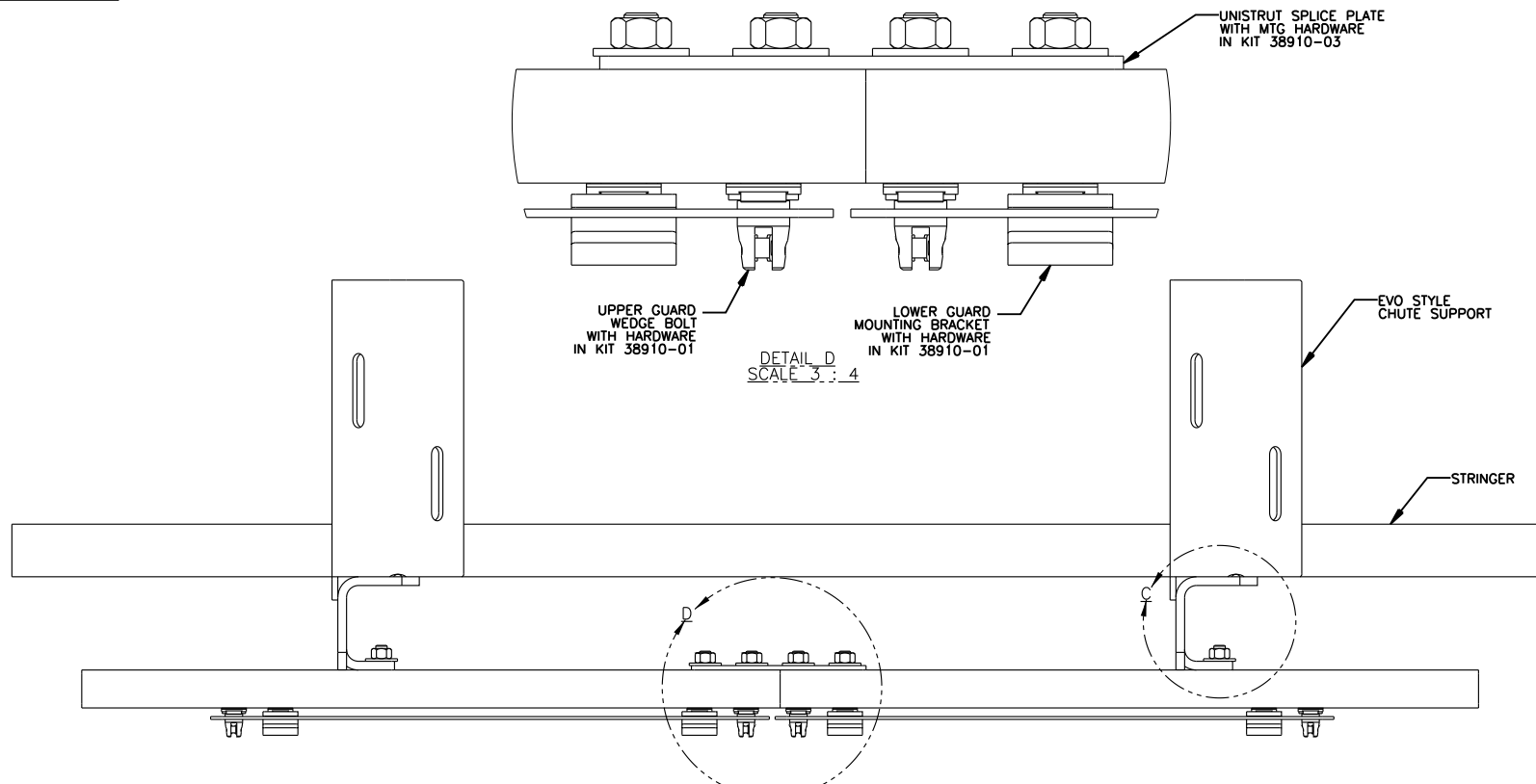


ITEM	QTY	DESCRIPTION	PART NUMBER
1	S/N	BARRIER GUARD UNISTRUT MTG HARDWARE	38910-01
2	S/N	BARRIER GUARD UNISTRUT AND HARDWARE	38910-03

S/N = SEE NOTE 4



- NOTES:
- 1) ALL DIMENSIONS ARE GIVEN IN INCHES [MM].
  - 2) ALL DIMENSIONS ARE FOR REFERENCE ONLY.
  - 3) INTEGRATED HANDLES ARE FIELD MODIFYABLE TO BE BENT UP INTO WORKING POSITION.
  - 4) ONE (1) P/N 38910-01 REQUIRED FOR EVERY BARRIER GUARD. ONE (1) P/N 38910-03 REQUIRED FOR EVERY 10 FEET OF GUARDING REQUIRED.

Copyright 2011 Martin Engineering. All rights reserved. Covered by U.S. and foreign patents pending and issued. ® and ™ indicate trademarks of Martin Engineering.

<b>MARTIN ENGINEERING</b>		USA BUSINESS UNIT
TITLE	BARRIER GUARD UNISTRUT INSTALLATION ON EVO STYLE CHUTE SUPPORTS	DRAWN RND DATE 09/09/11
SALES DRAWING		CHECKED ENG. <i>JAP</i> DATE 09/15/11
		APPROVED <i>JM</i> DATE 09/16/11
NO. PR12125	DESCRIPTION	SCALE 1:4

NO.	DESCRIPTION	ECN	DATE	BY
	REVISION			



