

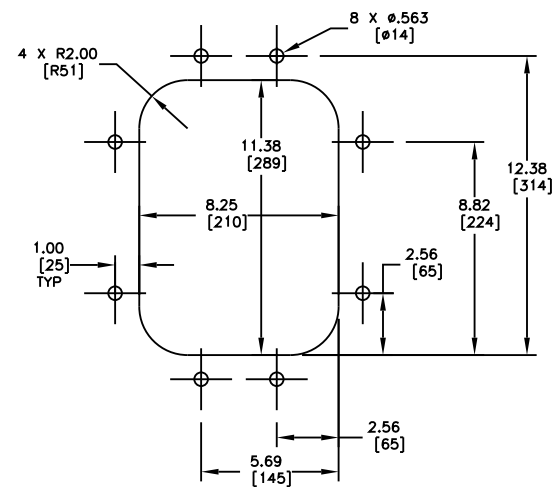
PART NUMBER	BELT WIDTH	DIMENSION "A" BLADE COVERAGE	DIMENSION "B" FRAME LENGTH	PART NO. ITEM 2
PQC1H-18MX16XXXX	18.00 [400-500]	16.00 [406]	48.00 [1219]	38555-1
PQC1H-24MX16XXXX	24.00 [500-650]	16.00 [406]	54.00 [1372]	38555-1
PQC1H-24MX22XXXX	24.00 [500-650]	22.00 [559]	54.00 [1372]	38555-1
PQC1H-30MX22XXXX	30.00 [650-800]	22.00 [559]	60.00 [1524]	38555-1
PQC1H-30MX28XXXX	30.00 [650-800]	28.00 [711]	60.00 [1524]	38555-1
PQC1H-36MX28XXXX	36.00 [800-1000]	28.00 [711]	66.00 [1676]	38555-1
PQC1H-36MX34XXXX	36.00 [800-1000]	34.00 [864]	66.00 [1676]	38555-1
PQC1H-42MX34XXXX	42.00 [1000-1200]	34.00 [864]	72.00 [1829]	38555-1
PQC1H-42MX40XXXX	42.00 [1000-1200]	40.00 [1016]	72.00 [1829]	38555-1
PQC1H-48MX40XXXX	48.00 [1200-1400]	40.00 [1016]	78.00 [1981]	38555-1
PQC1H-48MX46XXXX	48.00 [1200-1400]	46.00 [1168]	78.00 [1981]	38555-1
PQC1H-54MX46XXXX	54.00 [1400-1600]	46.00 [1168]	84.00 [2134]	38555-2
PQC1H-54MX52XXXX	54.00 [1400-1600]	52.00 [1321]	84.00 [2134]	38555-2
PQC1H-60MX52XXXX	60.00 [1600-1800]	52.00 [1321]	90.00 [2286]	38555-2
PQC1H-60MX58XXXX	60.00 [1600-1800]	58.00 [1473]	90.00 [2286]	38555-2
PQC1H-66MX58XXXX	66.00 [1600-1800]	58.00 [1473]	96.00 [2438]	38555-2
PQC1H-66MX64XXXX	66.00 [1600-1800]	64.00 [1626]	96.00 [2438]	38555-2
PQC1H-72MX64XXXX	72.00 [1800-2000]	64.00 [1626]	102.00 [2591]	38555-2
PQC1H-72MX70XXXX	72.00 [1800-2000]	70.00 [1778]	102.00 [2591]	38555-2
PQC1H-78MX70XXXX	78.00 [1800-2000]	70.00 [1778]	108.00 [2743]	38555-2
PQC1H-78MX76XXXX	78.00 [1800-2000]	76.00 [1930]	108.00 [2743]	38555-2
PQC1H-84MX76XXXX	84.00 [2000-2200]	76.00 [1930]	114.00 [2896]	38555-2
PQC1H-84MX82XXXX	84.00 [2000-2200]	82.00 [2083]	114.00 [2896]	38555-2

MOUNTING LOCATION CHART	
DIM. "C"	
HEAD PULLEY DIAMETER	DIM. "D"
12.00 [305] THRU 15.00 [381]	4.00 [102]
16.00 [406] AND OVER	3.50 [89]

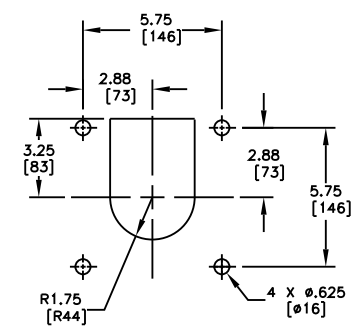
* INCLUDES BELT AND LAGGING

- NOTES:
- 1) ALL DIMENSIONS ARE GIVEN IN INCHES [MM] AND ARE FOR REFERENCE ONLY.
 - 2) IN THE PQC1H-XXXXXX PART NUMBER THE FIRST TWO XX'S INDICATE THE BELT WIDTH. THE "M" INDICATES A METAL TIPPED BLADE. THE NEXT X INDICATES THE BLADE TYPE: 0 = NO BLADES, T = MILD STEEL TC TIPPED BLADE, C = CORROSION RESISTANT TC TIPPED BLADE. THE NEXT TWO XX'S INDICATE BLADE COVERAGE: 00 = NO BLADES. THE NEXT TWO XX'S INDICATE BLADE COLOR: (SEE CHART). THE NEXT X INDICATES THE MAINFRAME TYPE: P = STANDARD DUTY. THE LAST X INDICATES ACCESSORY OPTIONS: 0 = NO OPTIONS, T = TWIST TENSIONER, S = SPRING TENSIONER.
 - EXAMPLES:
PQC1H-36MT34BRPS = 36" BELT WIDTH, 34" BROWN MILD STL TC TIPPED BLADES STD DUTY MNFRM, WITH A SPRING TENSIONER.
PQC1H-36MT2BORPO = 36" BELT WIDTH, 28" ORANGE MILD STL TC TIPPED BLADES STD DUTY MNFRM, WITHOUT A TENSIONER.
 - 3) THE PRE-CLEANER BLADE IS DESIGNED FOR HEAD PULLEY'S WITH A MINIMUM EFFECTIVE DIAMETER OF 12.00 [305].
 - 4) CLEANER IS SHOWN IN RECOMMENDED WORKING POSITION.
 - 5) WHERE EXTREME OR UNUSUAL CONDITIONS EXIST, OR SPECIAL MAINFRAME LENGTHS ARE REQUIRED CONTACT MARTIN ENGINEERING.
 - 6) SPRING TENSIONER MAY BE BOLTED OR WELDED IN PLACE. MARTIN ENGINEERING RECOMMENDS BOLTING WHEN APPLICABLE FOR EASIER MAINTENANCE AND ACCESSIBILITY.
 - 7) REFER TO OPERATOR'S MANUAL M3814 FOR COMPLETE INSTALLATION INSTRUCTIONS.
 - 8) CLEANER CAN BE LOCATED ANYWHERE ALONG THE ARC, AS LONG AS THE MAINFRAME IS OUT OF MATERIAL TRAJECTORY AND THE BLADE TIPS ARE BELOW THE HORIZONTAL CENTERLINE OF THE HEAD PULLEY.
 - 9) THE PD QC#1 HD MT PRE-CLEANER BLADES ARE DESIGNED TO REMOVE HEAVY CARRYBACK ONLY. DO NOT USE ON BELTS WITH MECHANICAL SPLICES.
 - 10) BLADE COVERAGE IS LESS THAN BELT WIDTH, DUE TO POSSIBLE MISTRACKING OR DAMAGED EDGES OF THE BELT.

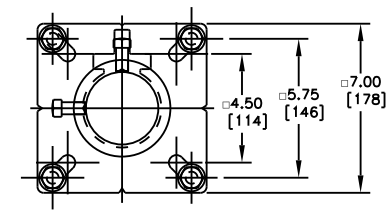
ITEM	QTY.	DESCRIPTION	PART NUMBER
1	1	MARTIN® PD QC#1 HD MT BLADE ASM	PQC1H-XXXXXX
2	1	SPRING TENSIONER ASM	SEE CHART
3	1	MARTIN® LOW PROFILE STL DOOR 9X12	CYA-0912



DOOR CUTOUT DETAIL
FOR CYA STEEL DOOR

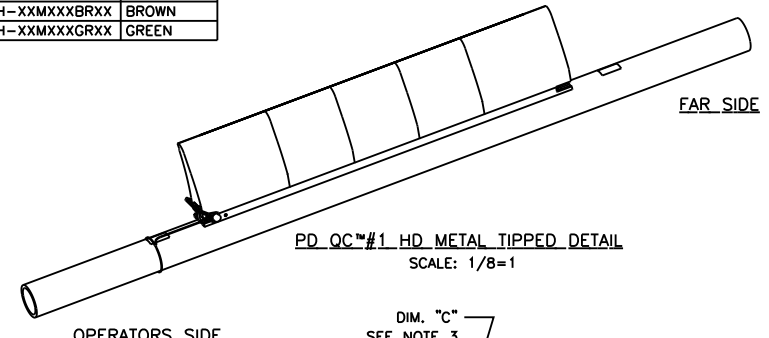


TENSIONER CHUTE WALL CUTOUT DETAIL
TYPICAL BOTH SIDES

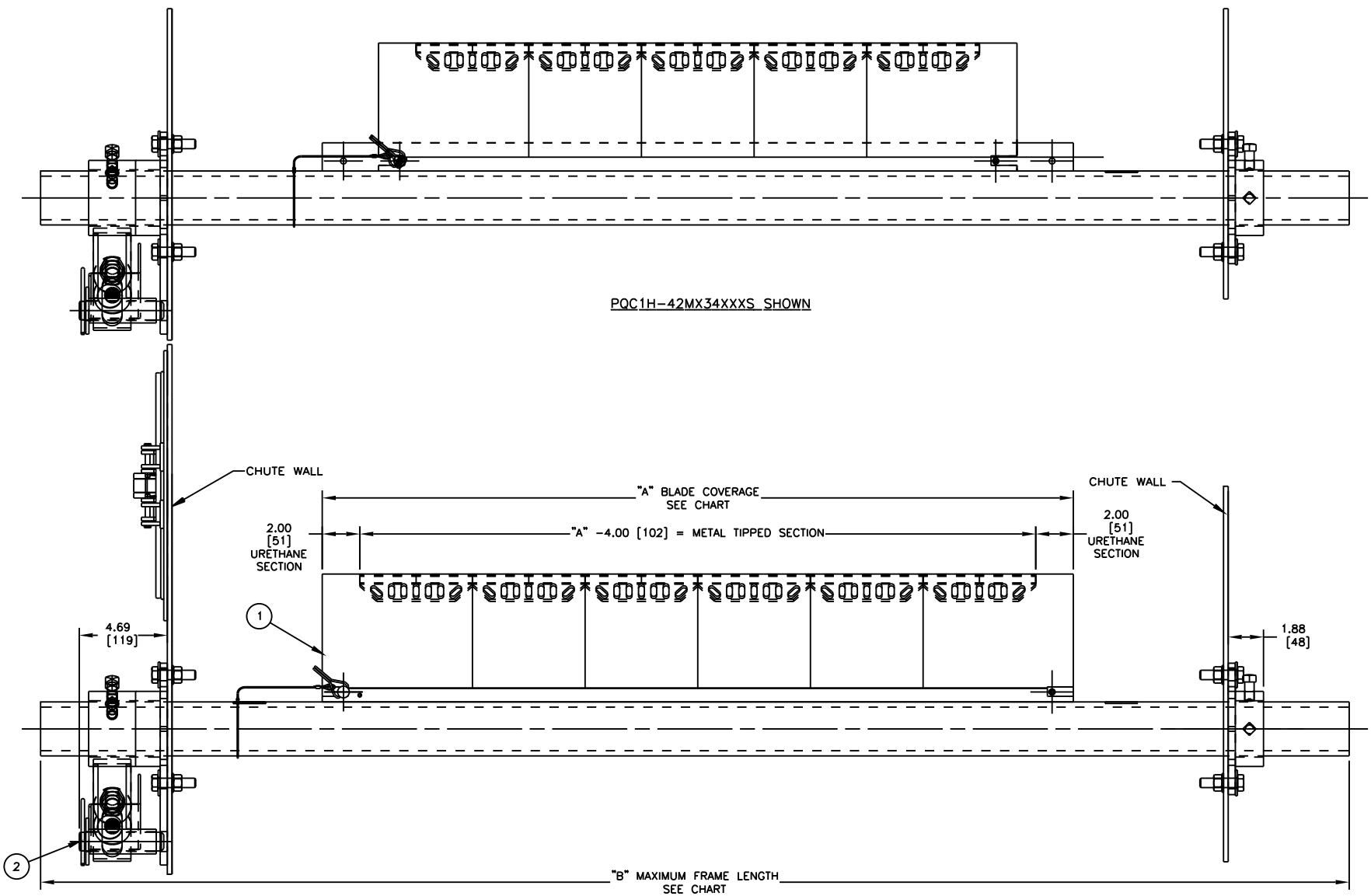
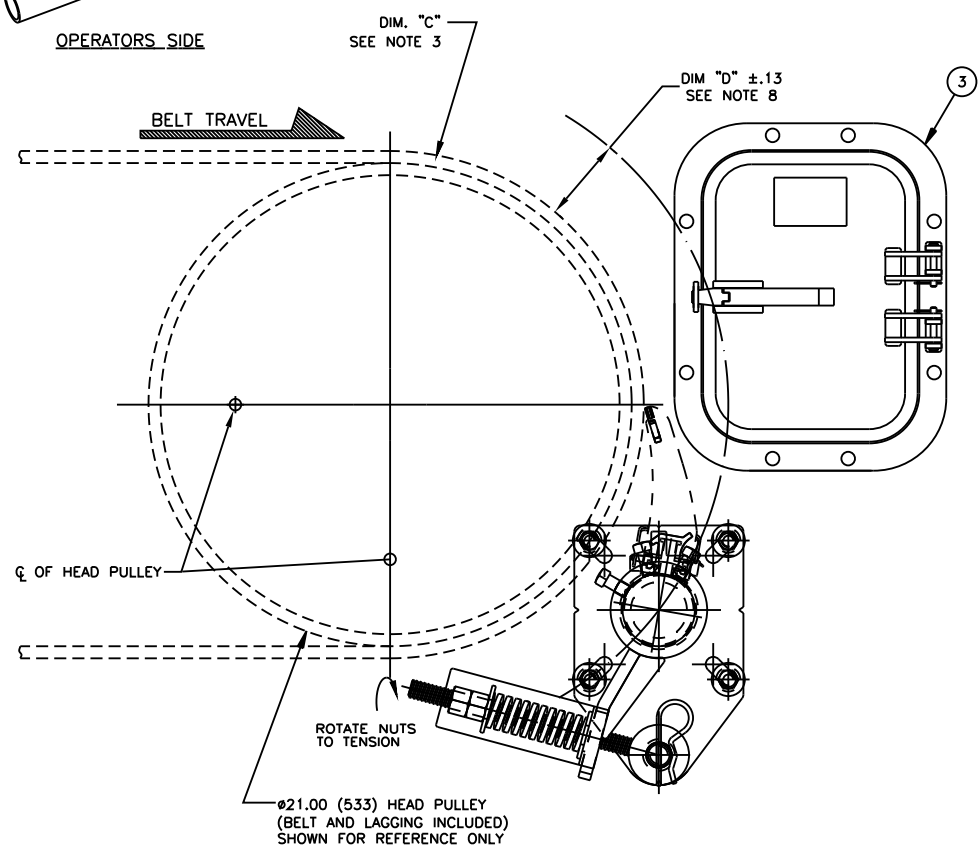


FARSIDE MOUNT DETAIL

ASSEMBLY PART NO.	COLOR
PQC1H-XXMXXORXX	ORANGE
PQC1H-XXMXXBRXX	BROWN
PQC1H-XXMXXGRXX	GREEN



PD QC#1 HD METAL TIPPED DETAIL
SCALE: 1/8=1



PQC1H-42MX34XXXX SHOWN

PQC1H-42MX40XXXX SHOWN
HEAD PULLEY NOT SHOWN FOR CLARITY

© Copyright 2010 Martin Engineering. All rights reserved. Covered by U.S. and foreign patents pending and issued. ® and TM indicate trademarks of Martin Engineering.

		NEPONSET ILLINOIS USA	
		TITLE: MARTIN® PERFORMANCE DUTY QC#1 HD METAL TIPPED ASM WITH SPRING TENSIONER ASM 9 X 12 STEEL DOOR	
NO.	DESCRIPTION	ECN DATE BY	
A	RWVD TAN AND NAVY BLUE FROM COLOR CHART	14301 08/03/15	RND
SALES DRAWING		S50075-SP	SCALE 1/4=1

NO.	DESCRIPTION	ECN	DATE	BY
A	RWVD TAN AND NAVY BLUE FROM COLOR CHART	14301	08/03/15	RND
AutoCAD REVISION				

