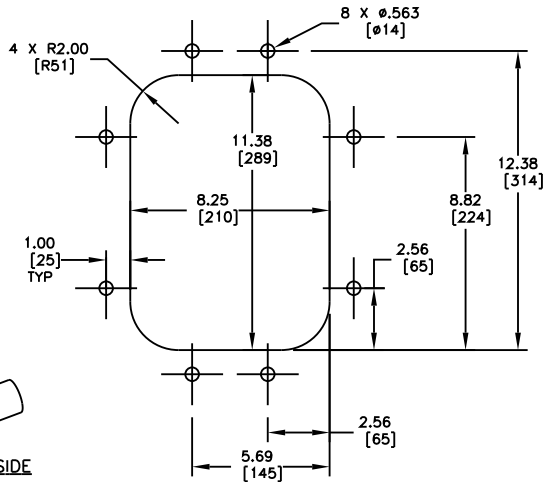
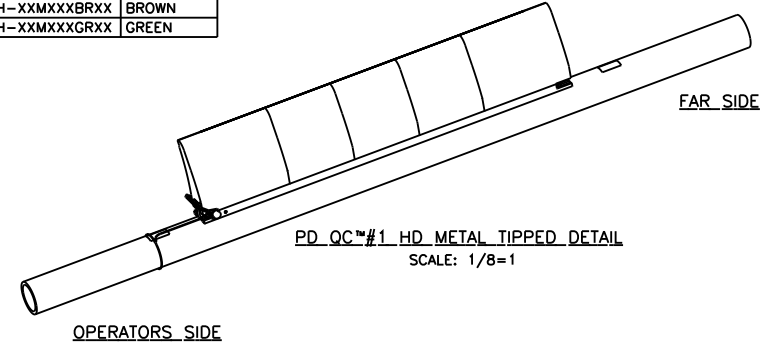


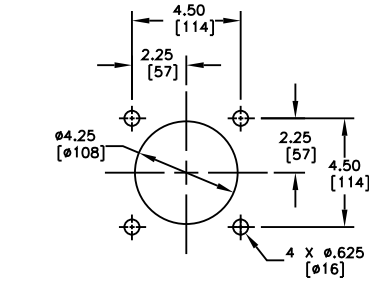
PART NUMBER	BELT WIDTH	DIMENSION "A" BLADE COVERAGE	DIMENSION "B" FRAME LENGTH
PQC1H-54MX46XXXX	54.00 [1400-1600]	46.00 [1168]	84.00 [2134]
PQC1H-54MX52XXXX	54.00 [1400-1600]	52.00 [1321]	84.00 [2134]
PQC1H-60MX52XXXX	60.00 [1600-1800]	52.00 [1321]	90.00 [2286]
PQC1H-60MX58XXXX	60.00 [1600-1800]	58.00 [1473]	90.00 [2286]
PQC1H-66MX58XXXX	66.00 [1600-1800]	58.00 [1473]	96.00 [2438]
PQC1H-66MX64XXXX	66.00 [1600-1800]	64.00 [1626]	96.00 [2438]
PQC1H-72MX64XXXX	72.00 [1800-2000]	64.00 [1626]	102.00 [2591]
PQC1H-72MX70XXXX	72.00 [1800-2000]	70.00 [1778]	102.00 [2591]
PQC1H-78MX70XXXX	78.00 [1800-2000]	70.00 [1778]	108.00 [2743]
PQC1H-78MX76XXXX	78.00 [1800-2000]	76.00 [1930]	108.00 [2743]
PQC1H-84MX76XXXX	84.00 [2000-2200]	76.00 [1930]	114.00 [2896]
PQC1H-84MX82XXXX	84.00 [2000-2200]	82.00 [2083]	114.00 [2896]

ASSEMBLY PART NO.	COLOR
PQC1H-XXMXXORXX	ORANGE
PQC1H-XXMXXBRXX	BROWN
PQC1H-XXMXXGRXX	GREEN



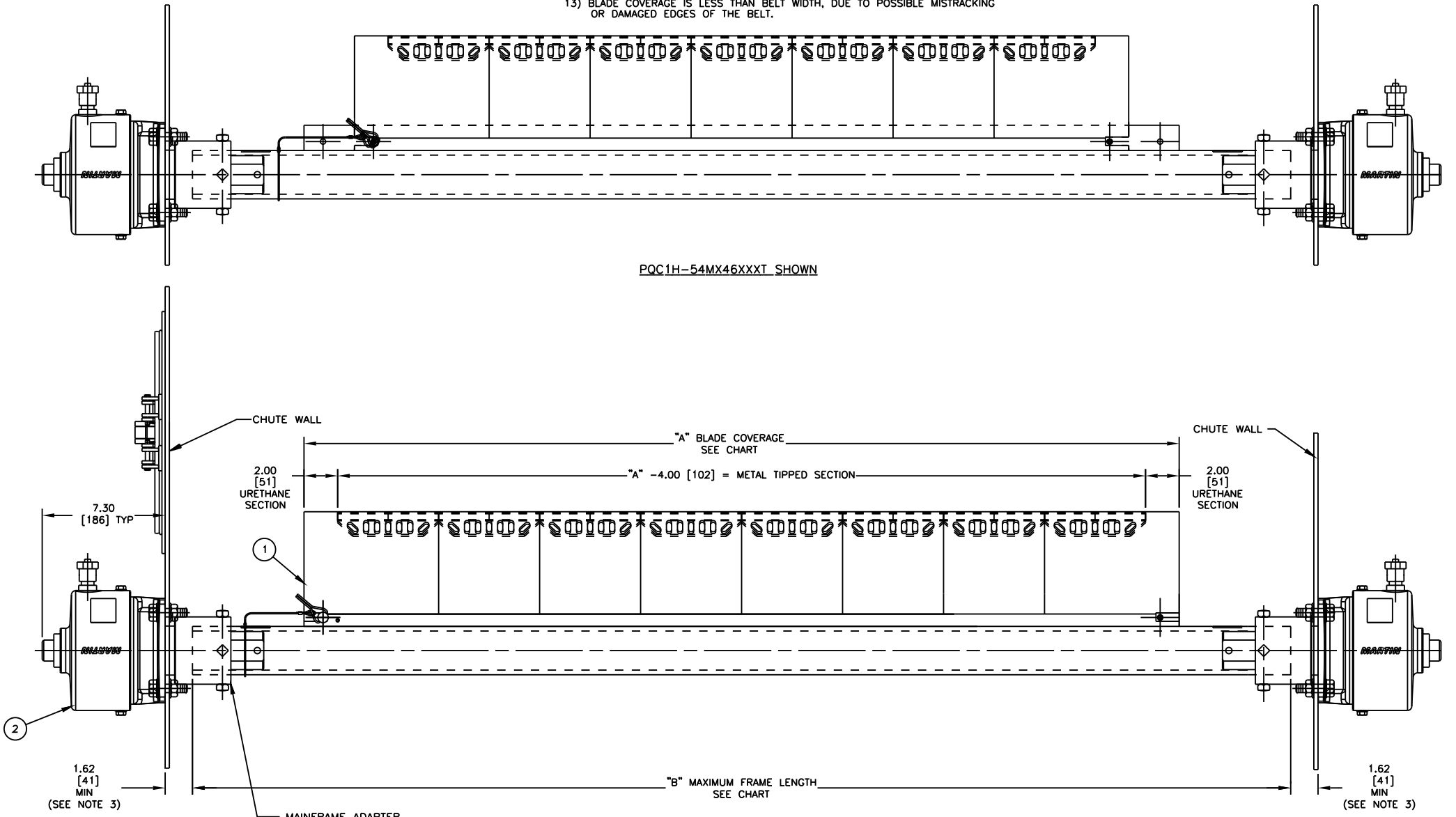
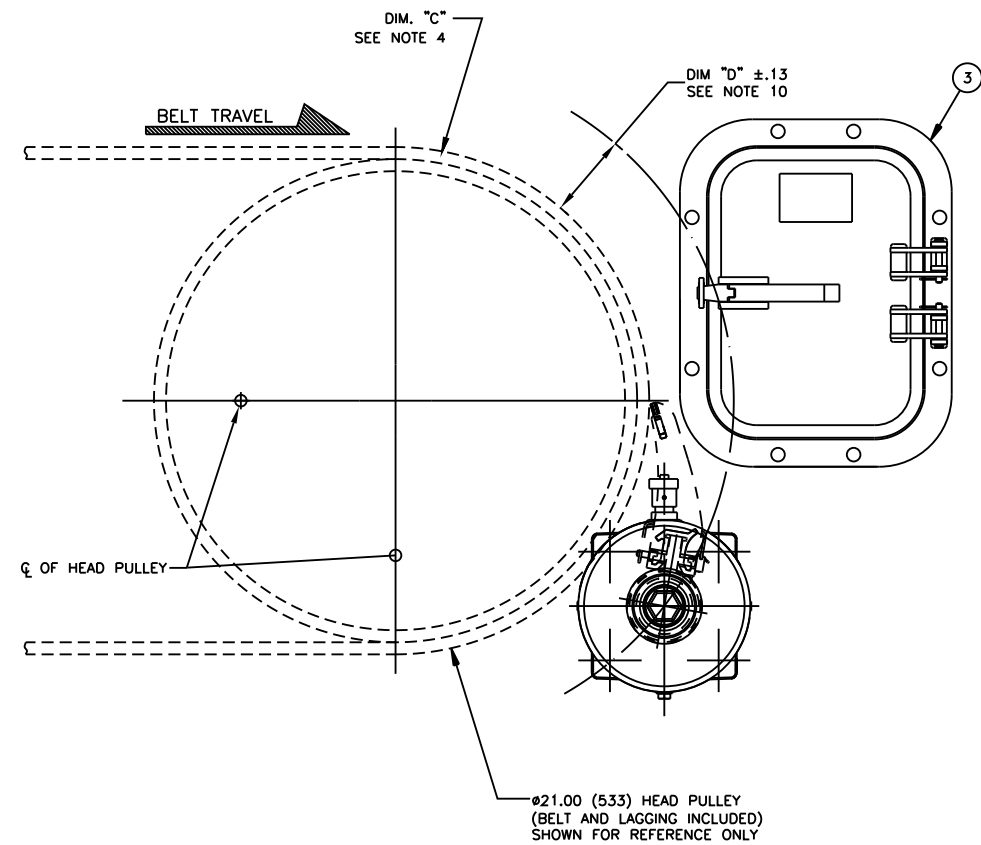
MOUNTING LOCATION CHART	
DIM. "C"	
HEAD PULLEY DIAMETER	DIM. "D"
12.00 [305] THRU 15.00 [381]	4.00 [102]
16.00 [406] AND OVER	3.50 [89]

* INCLUDES BELT AND LAGGING



- NOTES:
- ALL DIMENSIONS ARE GIVEN IN INCHES [MM] AND ARE FOR REFERENCE ONLY.
 - IN THE PQC1H-XXMXXXXXX PART NUMBER THE FIRST TWO XX'S INDICATE THE BELT WIDTH. THE "M" INDICATES A METAL TIPPED BLADE. THE NEXT X INDICATES THE BLADE TYPE: 0 = NO BLADES, T = MILD STEEL TC TIPPED BLADE, C = CORROSION RESISTANT TC TIPPED BLADE. THE NEXT TWO XX'S INDICATE BLADE COVERAGE: 00 = NO BLADES. THE NEXT TWO XX'S INDICATE BLADE COLOR: (SEE CHART). THE NEXT X INDICATES THE MAINFRAME TYPE: P = STANDARD DUTY. THE LAST X INDICATES ACCESSORY OPTIONS: 0 = NO OPTIONS, T = TWIST TENSIONER, S = SPRING TENSIONER.
 - CUT MAINFRAME TO LENGTH, WITH BLADES CENTERED ON THE BELT. MEASURE HOW FAR THE MAINFRAME IS OUTSIDE THE CHUTE WALL AND ADD 1.63 [41] MINIMUM TO CUT OFF.
 - THE PRE-CLEANER BLADE IS DESIGNED FOR HEAD PULLEY'S WITH A MINIMUM EFFECTIVE DIAMETER OF 12.00 [305].
 - CLEANER IS SHOWN IN RECOMMENDED WORKING POSITION.
 - WHERE EXTREME OR UNUSUAL CONDITIONS EXIST, OR SPECIAL MAINFRAME LENGTHS ARE REQUIRED CONTACT MARTIN ENGINEERING.
 - TWIST TENSIONER MAY BE BOLTED OR WELDED IN PLACE. MARTIN ENGINEERING RECOMMENDS BOLTING WHEN APPLICABLE FOR EASIER MAINTENANCE AND ACCESSIBILITY.
 - REFER TO OPERATOR'S MANUAL M3814 FOR COMPLETE INSTALLATION INSTRUCTIONS.
 - FOR BELT WIDTHS 48.00 [1200-1400] AND UNDER, MARTIN ENGINEERING RECOMMENDS USING A TWIST TENSIONER (P/N 38554). SEE S50075-S.
 - CLEANER CAN BE LOCATED ANYWHERE ALONG THE ARC, AS LONG AS THE MAINFRAME IS OUT OF MATERIAL TRAJECTORY AND THE BLADE TIPS ARE BELOW THE HORIZONTAL CENTERLINE OF THE HEAD PULLEY.
 - THE PD_QC#1 HD MT PRE-CLEANER BLADES ARE DESIGNED TO REMOVE HEAVY CARRYBACK ONLY. DO NOT OVERTENSION. DO NOT USE ON BELTS WITH MECHANICAL SPLICES.
 - FOR SEVERE APPLICATIONS WELD THE MAINFRAME ADAPTER DIRECTLY TO MAINFRAME.
 - BLADE COVERAGE IS LESS THAN BELT WIDTH, DUE TO POSSIBLE MISTRACKING OR DAMAGED EDGES OF THE BELT.

ITEM	QTY.	DESCRIPTION	PART NUMBER
1	1	MARTIN® PD_QC#1 HD MT BLADE ASM	PQC1H-XXMXXXXXX
2	1	MARTIN® TWIST™ DUAL TENSIONER ASM	38554-2
3	1	MARTIN® LOW PROFILE STL DOOR 9X12	CYA-0912



PQC1H-54MX52XXXX SHOWN
HEAD PULLEY NOT SHOWN FOR CLARITY

NO.	DESCRIPTION	ECN	DATE	BY
A	RWVD TAN AND NAVY BLUE FROM COLOR CHART	14301	08/03/15	RND
NO.	DESCRIPTION	ECN	DATE	BY
AutoCAD	REVISION			

© Copyright 2010 Martin Engineering. All rights reserved. Covered by U.S. and foreign patents pending and issued. ® and TM indicate trademarks of Martin Engineering.

MARTIN ENGINEERING NEPONSET ILLINOIS USA

TITLE: MARTIN® PERFORMANCE DUTY QC#1 HD METAL TIPPED ASM WITH TWIST™ TENSIONER ASM 9 X 12 STEEL DOOR

DATE: 04/14/10
DRAWN: RND
CHECKED: [Signature]
DATE: 04/21/10
APPROVED: [Signature]
DATE: 04/29/10

SALES DRAWING: S50075-D
PR11707
SCALE: 1/4=1

