

PART NUMBER	BELT WIDTH	DIMENSION "A" BLADE COVERAGE	DIMENSION "B" FRAME LENGTH	PART NO. ITEM 2
38556-18xx10xx	18.00 [400-500]	10.00 [254]	48.00 [1219]	38555-1
38556-18xx12xx	18.00 [400-500]	12.00 [305]	48.00 [1219]	38555-1
38556-18xx16xx	18.00 [400-500]	16.00 [406]	48.00 [1219]	38555-1
38556-24xx16xx	24.00 [500-650]	16.00 [406]	54.00 [1372]	38555-1
38556-24xx18xx	24.00 [500-650]	18.00 [457]	54.00 [1372]	38555-1
38556-24xx22xx	24.00 [500-650]	22.00 [559]	54.00 [1372]	38555-1
38556-30xx22xx	30.00 [650-800]	22.00 [559]	60.00 [1524]	38555-1
38556-30xx24xx	30.00 [650-800]	24.00 [610]	60.00 [1524]	38555-1
38556-30xx28xx	30.00 [650-800]	28.00 [711]	60.00 [1524]	38555-1
38556-36xx28xx	36.00 [800-1000]	28.00 [711]	66.00 [1676]	38555-1
38556-36xx30xx	36.00 [800-1000]	30.00 [762]	66.00 [1676]	38555-1
38556-36xx34xx	36.00 [800-1000]	34.00 [864]	66.00 [1676]	38555-1
38556-42xx34xx	42.00 [1000-1200]	34.00 [864]	72.00 [1829]	38555-1
38556-42xx36xx	42.00 [1000-1200]	36.00 [914]	72.00 [1829]	38555-1
38556-42xx40xx	42.00 [1000-1200]	40.00 [1016]	72.00 [1829]	38555-1
38556-48xx40xx	48.00 [1200-1400]	40.00 [1016]	78.00 [1981]	38555-1
38556-48xx42xx	48.00 [1200-1400]	42.00 [1067]	78.00 [1981]	38555-1
38556-48xx46xx	48.00 [1200-1400]	46.00 [1168]	78.00 [1981]	38555-1
38556-54xx46xx	54.00 [1400-1600]	46.00 [1168]	84.00 [2134]	38555-2
38556-54xx48xx	54.00 [1400-1600]	48.00 [1219]	84.00 [2134]	38555-2
38556-54xx52xx	54.00 [1400-1600]	52.00 [1321]	84.00 [2134]	38555-2
38556-60xx52xx	60.00 [1600-1800]	52.00 [1321]	90.00 [2286]	38555-2
38556-60xx54xx	60.00 [1600-1800]	54.00 [1372]	90.00 [2286]	38555-2
38556-60xx58xx	60.00 [1600-1800]	58.00 [1473]	90.00 [2286]	38555-2
38556-66xx58xx	66.00 [1600-1800]	58.00 [1473]	96.00 [2438]	38555-2
38556-66xx60xx	66.00 [1600-1800]	60.00 [1524]	96.00 [2438]	38555-2
38556-66xx64xx	66.00 [1600-1800]	64.00 [1626]	96.00 [2438]	38555-2
38556-72xx64xx	72.00 [1800-2000]	64.00 [1626]	102.00 [2591]	38555-2
38556-72xx66xx	72.00 [1800-2000]	66.00 [1676]	102.00 [2591]	38555-2
38556-72xx70xx	72.00 [1800-2000]	70.00 [1778]	102.00 [2591]	38555-2
38556-78xx70xx	78.00 [1800-2000]	70.00 [1778]	108.00 [2743]	38555-2
38556-78xx72xx	78.00 [1800-2000]	72.00 [1829]	108.00 [2743]	38555-2
38556-78xx76xx	78.00 [1800-2000]	76.00 [1930]	108.00 [2743]	38555-2
38556-84xx76xx	84.00 [2000-2200]	76.00 [1930]	114.00 [2896]	38555-2
38556-84xx78xx	84.00 [2000-2200]	78.00 [1981]	114.00 [2896]	38555-2
38556-84xx82xx	84.00 [2000-2200]	82.00 [2083]	114.00 [2896]	38555-2

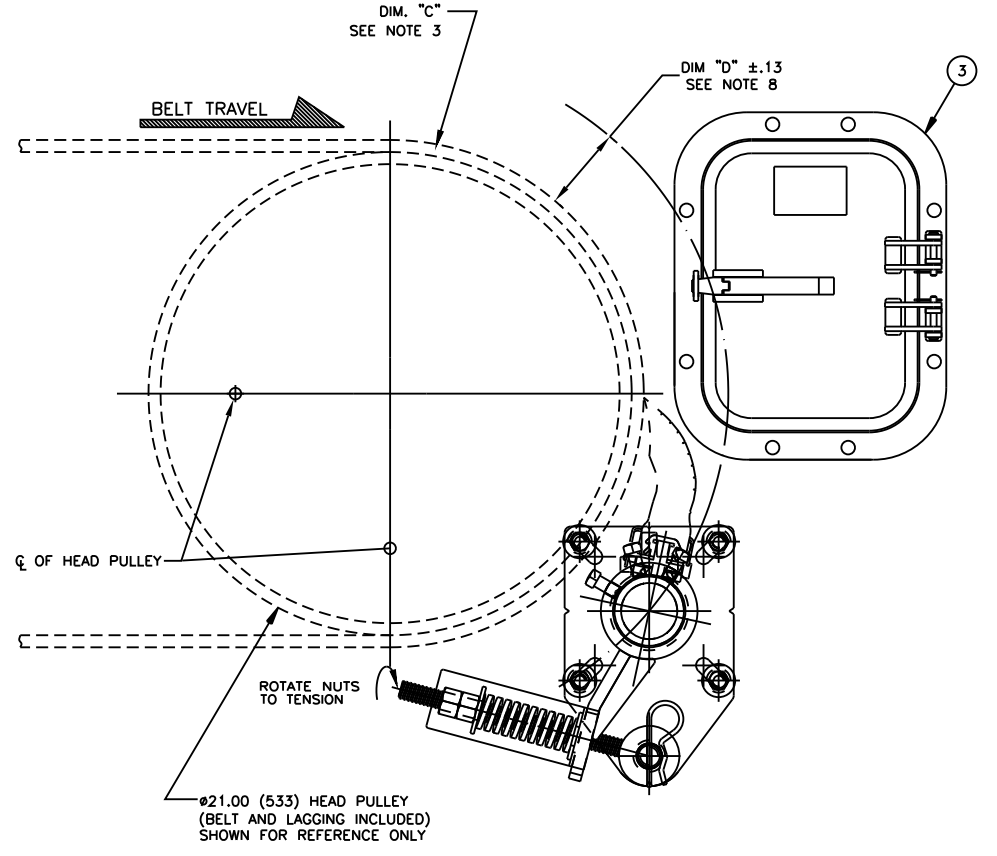
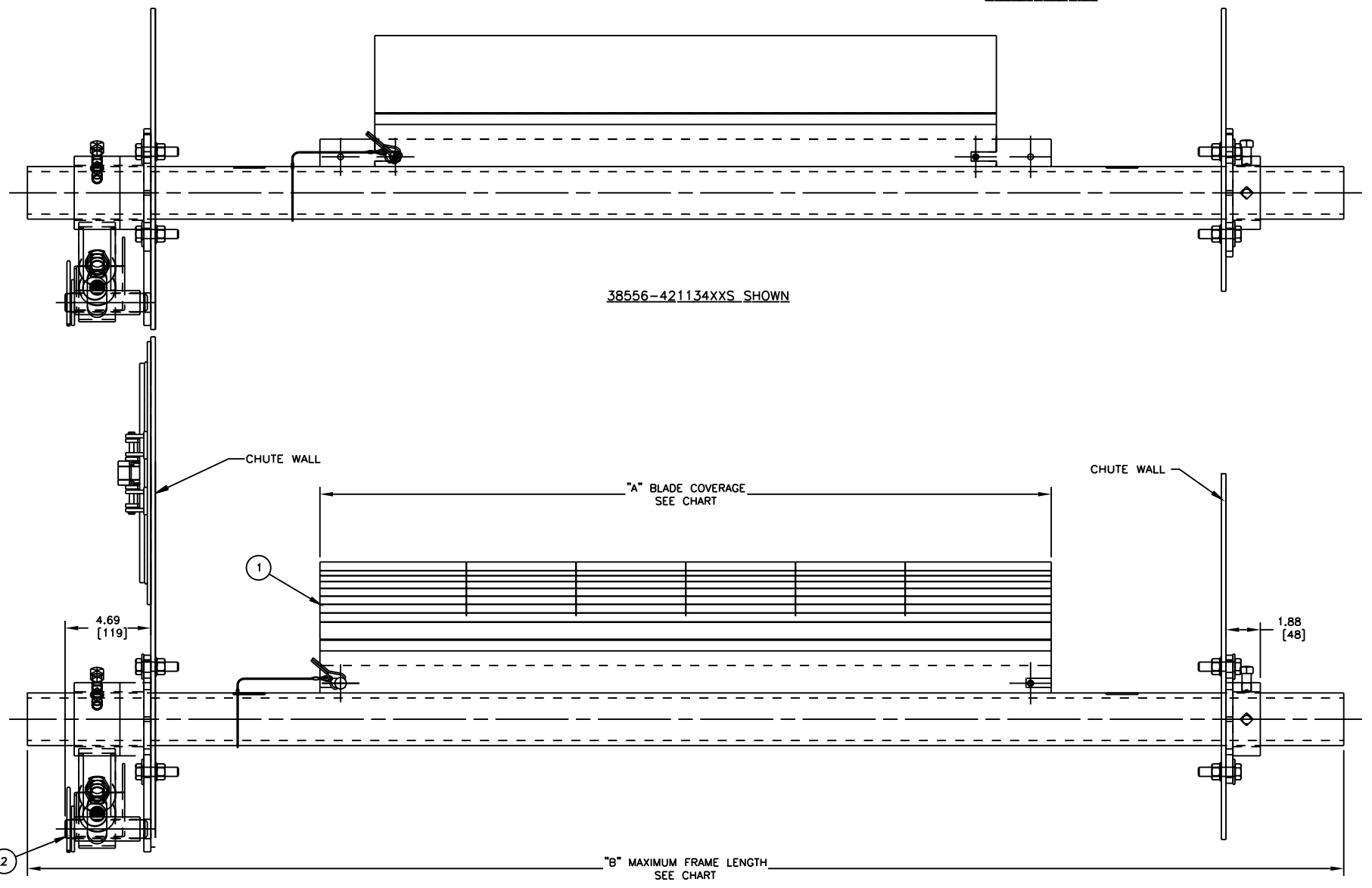
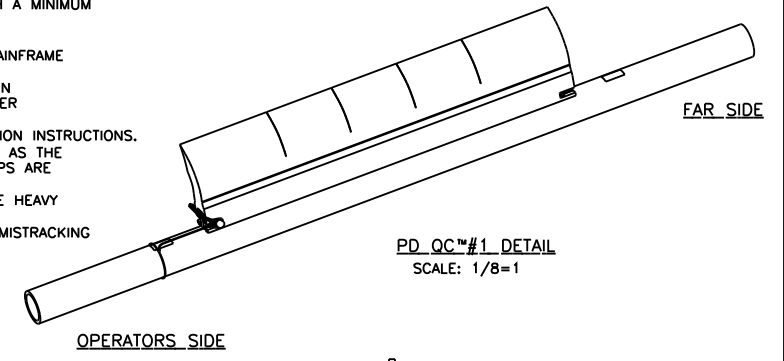
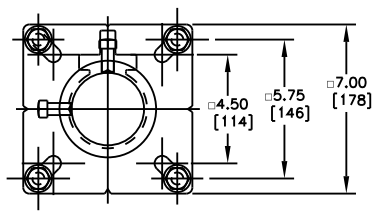
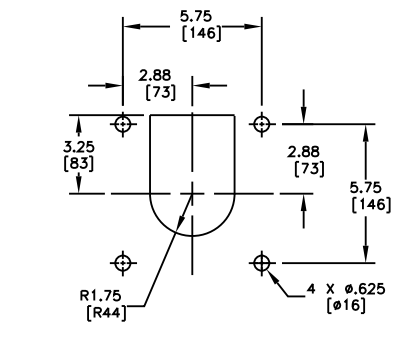
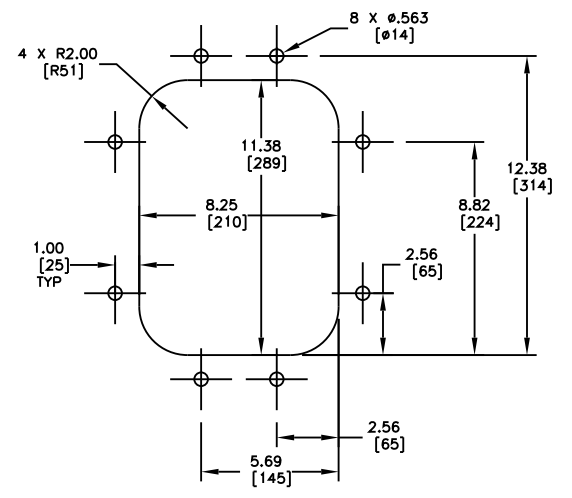
ASSEMBLY PART NO.	COLOR
38556-XXXXXX	ORANGE
38556-XXXXXXBRX	BROWN
38556-XXXXXXCLX	TAN
38556-XXXXXXGRX	GREEN
38556-XXXXXXNBX	NAVY BLUE

MOUNTING LOCATION CHART	
DIM. "C"	
HEAD PULLEY DIAMETER	DIM. "D"
12.00 [305] THRU 15.00 [381]	4.00 [102]
16.00 [406] AND OVER	3.50 [89]

* INCLUDES BELT AND LAGGING

- NOTES:
- ALL DIMENSIONS ARE GIVEN IN INCHES [MM] AND ARE FOR REFERENCE ONLY.
 - IN THE 38556-XXXXXX PART NUMBER THE FIRST TWO XX'S INDICATE THE BELT WIDTH, THE THIRD X INDICATES A BLADE WITH (0) OR WITHOUT (1) SLITS, THE NEXT X INDICATES A BLADE WITH (0) OR WITHOUT (1) SEGMENTS, THE NEXT TWO XX'S INDICATE BLADE COVERAGE, THE NEXT TWO XX'S INDICATE BLADE COLOR, THE LAST X INDICATES IF A TENSIONER IS INCLUDED.
 - EXAMPLES:
38556-361134BRS = 36" BELT WIDTH, 34" BROWN BLADE W/O SLITS AND SEGMENTS, WITH A SPRING TENSIONER.
38556-361028 = 36" BELT WIDTH, 28" ORANGE BLADE W/O SLITS AND WITH SEGMENTS.
38556-361128GRS = 36" BELT WIDTH, 28" GREEN BLADE W/O SLITS WITHOUT SEGMENTS, WITH A SPRING TENSIONER.
 - THE PRE-CLEANER BLADE IS DESIGNED FOR HEAD PULLEY'S WITH A MINIMUM EFFECTIVE DIAMETER OF 12.00 [305].
 - CLEANER IS SHOWN IN RECOMMENDED WORKING POSITION.
 - WHERE EXTREME OR UNUSUAL CONDITIONS EXIST, OR SPECIAL MAINFRAME LENGTHS ARE REQUIRED CONTACT MARIN ENGINEERING.
 - SPRING TENSIONER MAY BE BOLTED OR WELDED IN PLACE. MARTIN ENGINEERING RECOMMENDS BOLTING WHEN APPLICABLE FOR EASIER MAINTENANCE AND ACCESSIBILITY.
 - REFER TO OPERATOR'S MANUAL M3798 FOR COMPLETE INSTALLATION INSTRUCTIONS.
 - CLEANER CAN BE LOCATED ANYWHERE ALONG THE ARC, AS LONG AS THE MAINFRAME IS OUT OF MATERIAL TRAJECTORY AND THE BLADE TIPS ARE BELOW THE HORIZONTAL CENTERLINE OF THE HEAD PULLEY.
 - THE PD QC #1 PRE-CLEANER BLADES ARE DESIGNED TO REMOVE HEAVY CARRYBACK ONLY, DO NOT OVERTENSION.
 - BLADE COVERAGE IS LESS THAN BELT WIDTH, DUE TO POSSIBLE MISTRACKING OR DAMAGED EDGES OF THE BELT.

ITEM	QTY.	DESCRIPTION	PART NUMBER
1	1	MARTIN® PD QC #1 BLADE MAINFRAME ASM	38556-XXXXXX
2	1	SPRING TENSIONER ASM	SEE CHART
3	1	MARTIN® LOW PROFILE STL DOOR 9X12	CYA-0912



© Copyright 2009 Martin Engineering. All rights reserved. Covered by U.S. and foreign patents pending and issued. ® and TM indicate trademarks of Martin Engineering.

MARTIN ENGINEERING NEPONSET ILLINOIS USA

TITLE: MARTIN® PERFORMANCE DUTY QC #1 ASM WITH SPRING TENSIONER ASM 9 X 12 STEEL DOOR

DRAWN RND: DATE 08/13/09
CHECKED: DATE 08/19/09
APPROVED: DATE 08/19/09
SCALE: 1/4=1

NO.	DESCRIPTION	ECN	DATE	BY
AutoCAD	REVISION			

SALES DRAWING: PR11517 S50068-SP

