

ASSEMBLY PART NO.	BELT WIDTH	DIMENSION "A"		DIMENSION "B"		DIMENSION "C"		DIMENSION "D"		DIMENSION "E"		DIMENSION "F"	
28488-18XX	18.00 [457]	21.16 [538]	7.50 [191]	3.00 [76]	14.97 [380]	60.00 [1524]	9.95 [253]						
28488-24XX	24.00 [610]	28.94 [735]	9.62 [244]	6.50 [165]	20.47 [520]	60.00 [1524]	14.55 [370]						
28488-30XX	30.00 [762]	34.25 [870]	11.00 [279]	8.00 [203]	24.22 [615]	68.00 [1727]	17.20 [437]						
28488-36XX	36.00 [914]	40.26 [1023]	14.00 [356]	11.00 [279]	28.47 [723]	68.00 [1727]	20.20 [513]						
28488-42XX	42.00 [1067]	46.62 [1184]	17.00 [432]	14.00 [356]	32.97 [837]	82.00 [2083]	23.21 [590]						
28488-48XX	48.00 [1219]	52.28 [1328]	20.00 [508]	17.00 [432]	36.97 [939]	82.00 [2083]	26.21 [666]						
28488-54XX	54.00 [1372]	58.29 [1481]	23.00 [584]	20.00 [508]	41.22 [1047]	89.00 [2261]	29.13 [740]						
28488-60XX	60.00 [1524]	63.94 [1624]	26.00 [660]	23.00 [584]	45.22 [1149]	96.00 [2438]	32.05 [814]						
28488-72XX	72.00 [1829]	76.32 [1939]	32.00 [813]	29.00 [737]	53.97 [1371]	110.00 [2794]	38.23 [971]						
28488-78XX	78.00 [1981]	82.68 [2100]	32.00 [813]	29.00 [737]	58.47 [1485]	110.00 [2794]	41.42 [1052]						
28488-84XX	84.00 [2134]	89.05 [2262]	38.00 [965]	35.00 [889]	62.97 [1599]	120.00 [3048]	44.60 [1133]						
28488-96XX	96.00 [2438]	101.77 [2585]	44.00 [1118]	41.00 [1041]	71.97 [1828]	135.00 [3429]	50.96 [1294]						

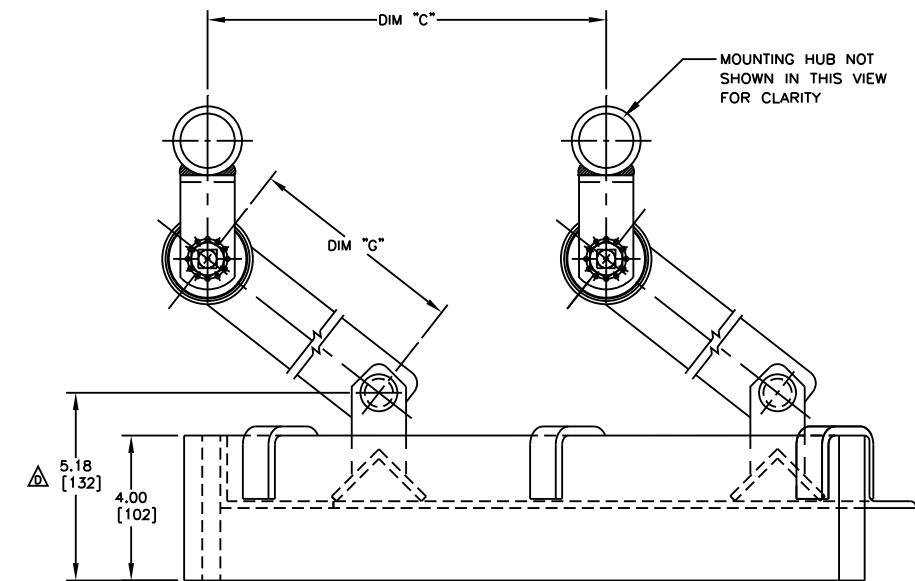
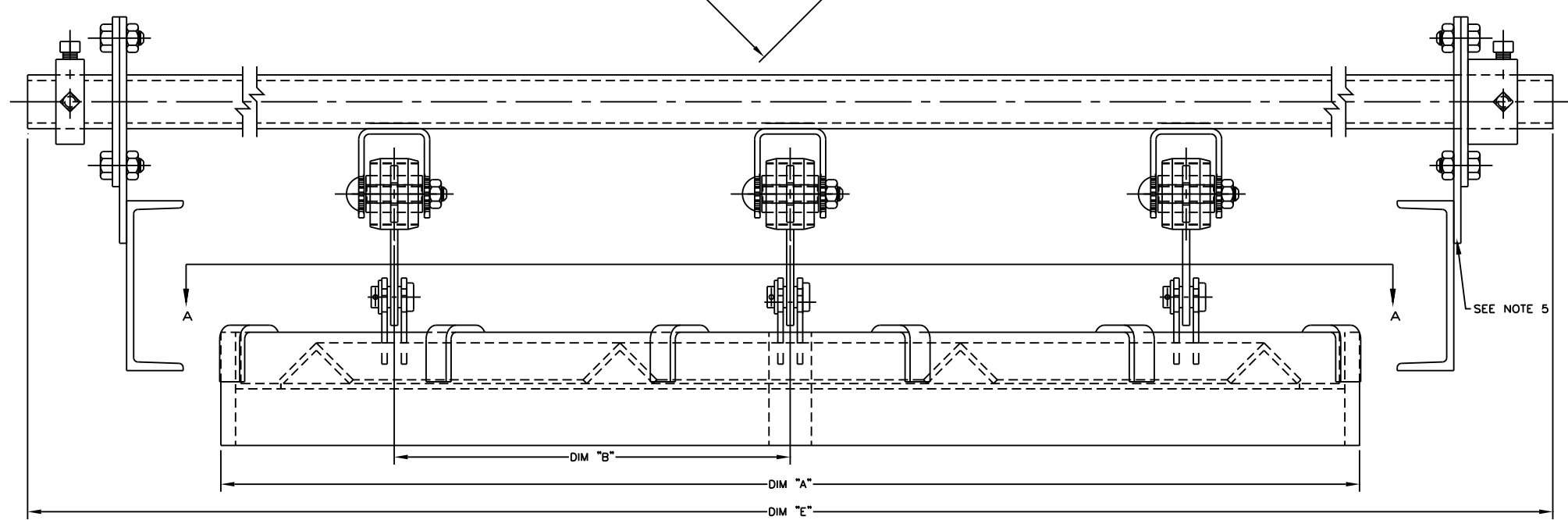
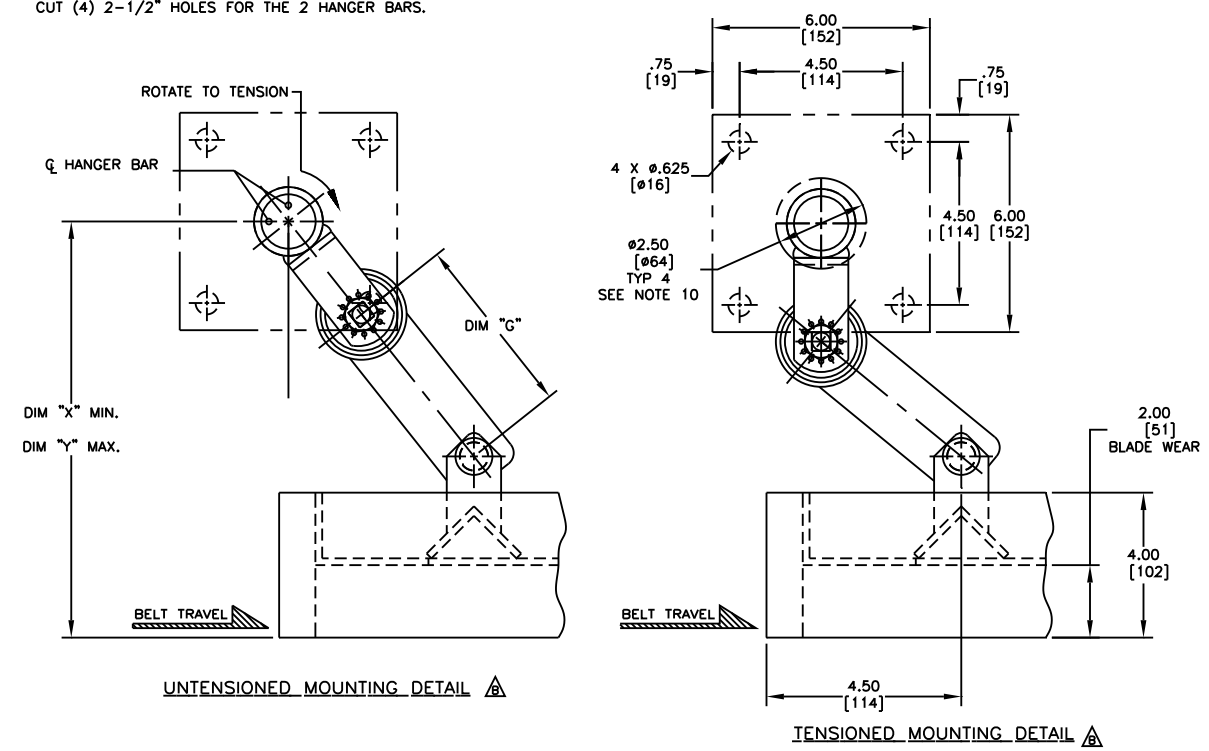
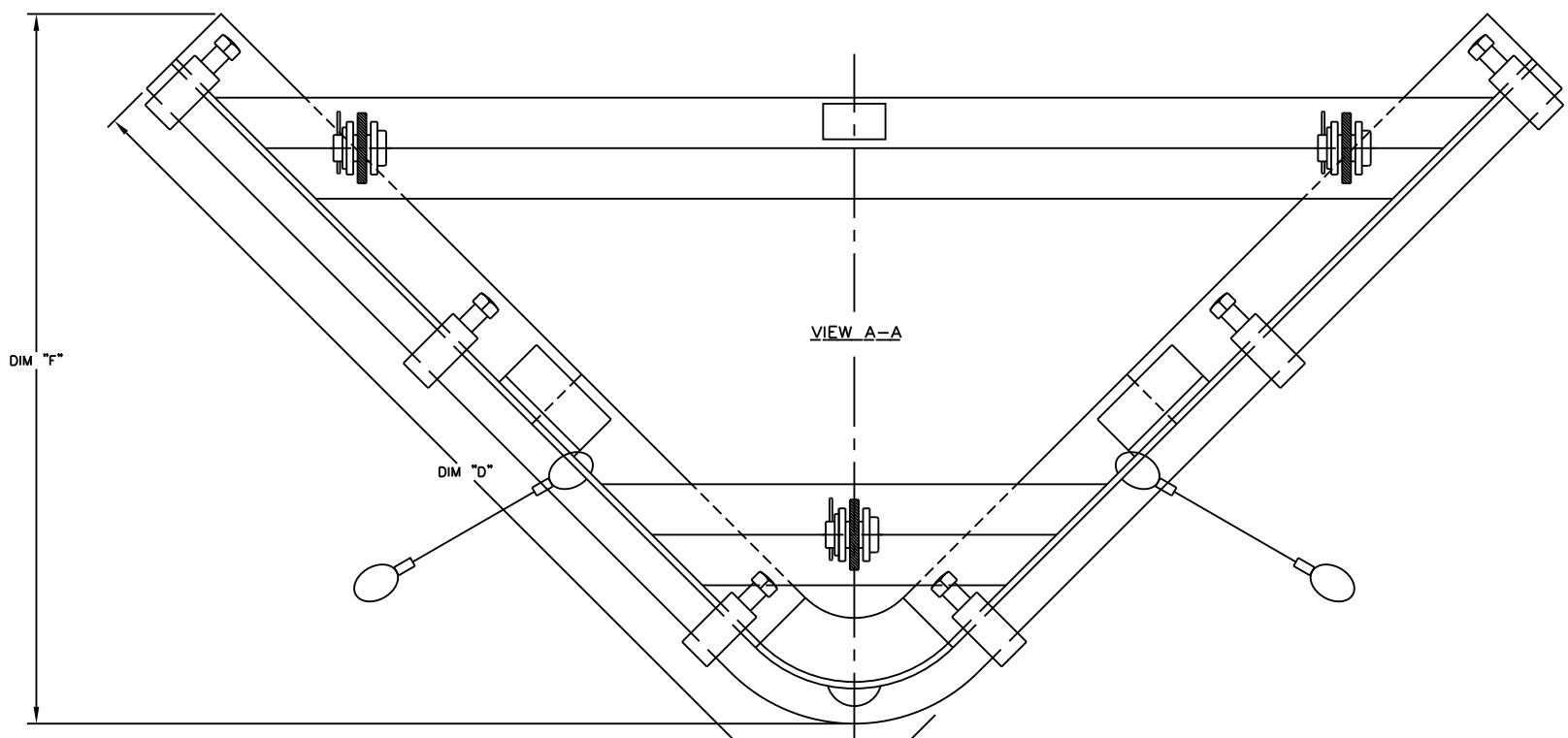
TORSION ARM CHART		
ASSEMBLY PART NO.	DIMENSION "G"	TORSION ARM PART NO.
28488-XXX	10.25 [260]	28495-01
28488-XXX1	2.50 [64]	28495-03
28488-XXX2	6.00 [152]	28495-02
28488-XXX3	9.00 [228]	28495-09
28488-XXX4	5.00 [127]	28495-04
28488-XXX5	6.50 [165]	28495-05
28488-XXX6	8.00 [203]	28495-06
28488-XXX7	11.37 [289]	28495-08

BLADE CHART		
ASSEMBLY PART NO.	BLADE TYPE	BLADE PART NO.
28488-XXRX	RUBBER	28496-XX
28488-XXUX	URETHANE	28812-XX

ITEM	QTY.	DESCRIPTION	PART NUMBER
1	1	V-PLOW TORSION ARM ASSEMBLY	28488-XXXX
2	1	BLADE	SEE BLD CHART
3	3	V-PLOW TORSION ARM	SEE ARM CHART

ASSEMBLY PART NO.	DIM "X" MINIMUM	DIM "Y" MAXIMUM
28488-XXX	16.87 [429]	18.12 [460]
28488-XXX1	9.12 [232]	10.37 [263]
28488-XXX2	12.62 [321]	13.87 [352]
28488-XXX3	15.62 [397]	16.87 [429]
28488-XXX4	11.62 [295]	12.87 [327]
28488-XXX5	13.12 [333]	14.37 [365]
28488-XXX6	14.62 [371]	15.87 [403]
28488-XXX7	17.99 [457]	19.24 [489]

- NOTES:
- 1) ALL DIMENSIONS ARE GIVEN IN INCHES [MM].
  - 2) ALL DIMENSIONS ARE FOR REFERENCE ONLY.
  - 3) HANGER BAR ARE LONGER THAN REQUIRED, LENGTH CAN BE MODIFIED IN FIELD FOR PROPER MOUNTING.
  - 4) THE FIRST TWO -XX INDICATE BELT WIDTH, THE THIRD X INDICATES BLADE TYPE. LEAVE BLANK IF NO BLADE, THE LAST X INDICATES TORSION ARM LENGTH.
  - 5) MARTIN ENGINEERING RECOMMENDS WELDING OR BOLTING A PLATE TO THE TOP OF THE STRINGER AND THEN BOLTING THE HUB MOUNTS TO THE PLATES FOR EASY REMOVAL.
  - 6) FOR 18.00 BELT WIDTH, USE PLAIN MOUNTING FLANGE (P/N 30208) AND HUB MOUNT WELDMENT (P/N 30209). FOR BELT WIDTHS 24.00 THRU 96.00, USE PLAIN MOUNTING FLANGE (P/N 16628) AND HUB MOUNT WELDMENT (P/N 28623).
  - 7) LOOSE END OF WIRE ROPE (P/N 100107) IS TO BE FASTENED TO STRINGER OR OTHER CONVEYOR STRUCTURE.
  - 8) P/N 23395 TO BE SHIPPED LOOSE WITH PRODUCT.
  - 9) PLACE QTY 1 OF P/N 23395 ANGLE ON EACH SIDE ON CONVEYOR.
  - 10) IF MOUNTED THROUGH STRINGER OR STEEL PLATE DRILL OR CUT (4) 2-1/2" HOLES FOR THE 2 HANGER BARS.



NO.	DESCRIPTION	ECN	DATE	BY
F	UPDATED DIM'S IN CHART TO MATCH PRODUCTION DIM'S (MDO053)	----	05/15/13	RND
E	(ON -18) CHGD DIM "C" FROM 3.13 TO 3.00	----	04/11/13	MJB
D	CHGD DIM FROM 5.00 TO 5.18	12336	08/01/08	MJB
C	ADDED 78 BELT WIDTH INFORMATION TO CHART (MDO704)	----	03/15/07	RND
B	UPDATED MOUNTING DETAIL / ADDED UNTENSIONED DETAIL	----	05/31/06	JAP
A	CHGD DIM "X" MIN & DIM "Y" MAX DIM'S IN CHART/ RMDV DIM 10' MIN & ANGLE "Z"	10935	01/21/04	MJB

© Copyright 1997 Martin Engineering. All rights reserved. Covered by U.S. and foreign patents pending and issued. ® and TM indicate trademarks of Martin Engineering.

**MARTIN ENGINEERING**

NEPONSET ILLINOIS USA

TITLE: V-PLOW TORSION ARM ASSEMBLY

SALES DRAWING

NO. S34947

AutoCAD REVISION

DATE	02/02/97
CHECKED	
DATE	01/22/04
APPROVED	
DATE	01/22/04
SCALE	3/8



