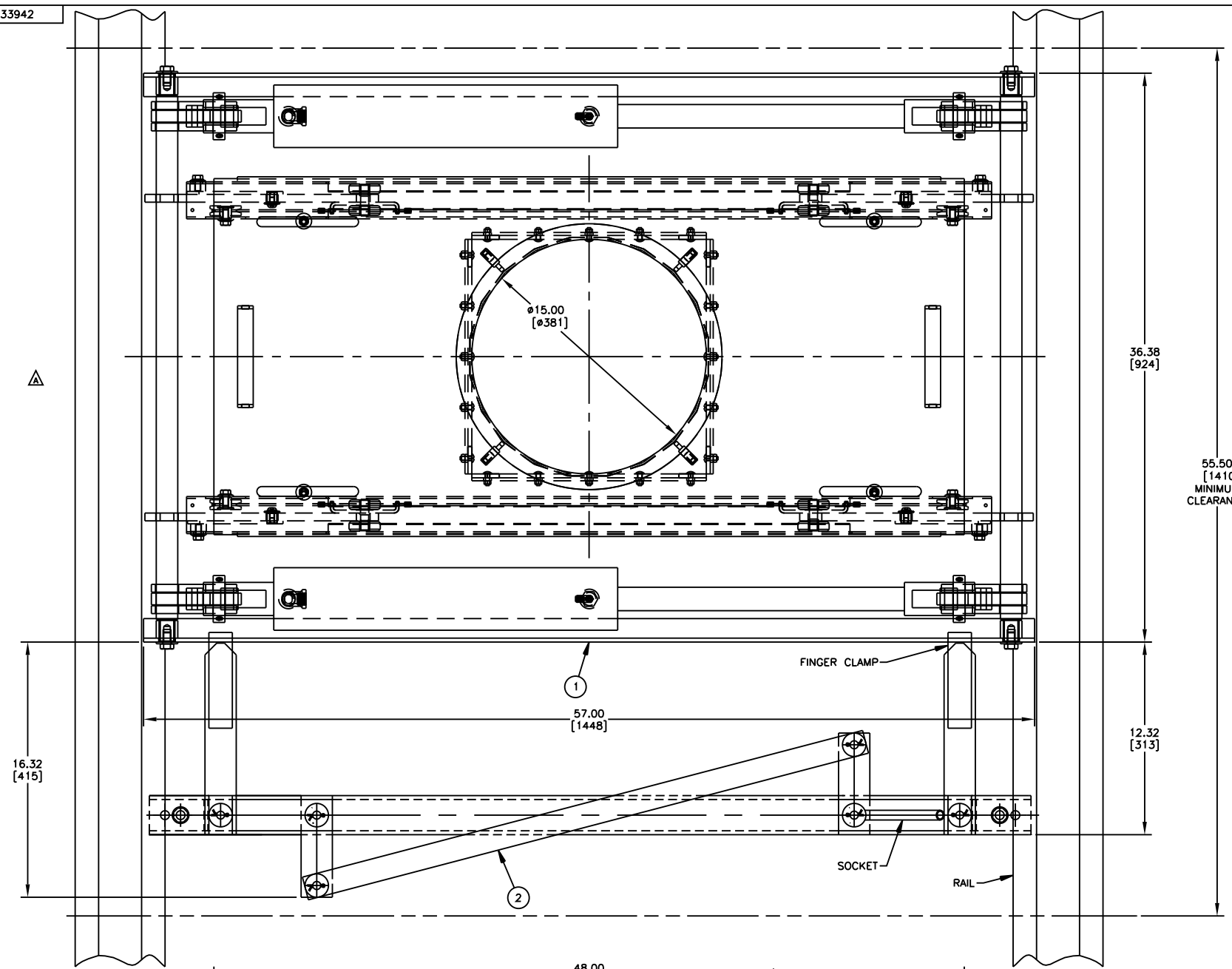
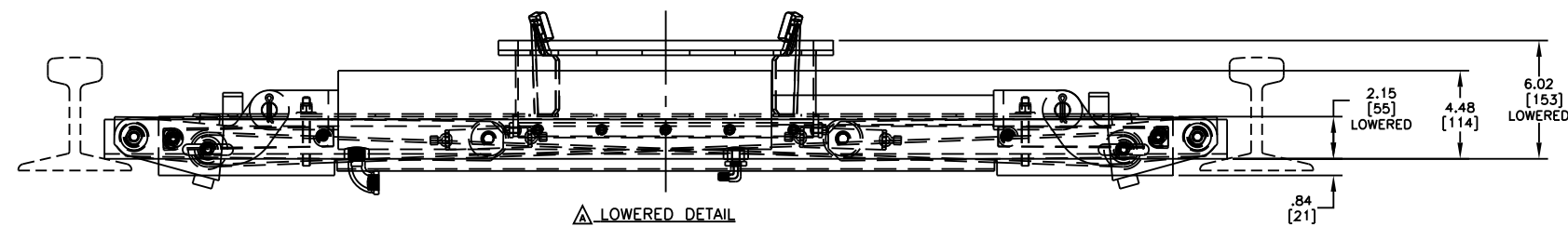
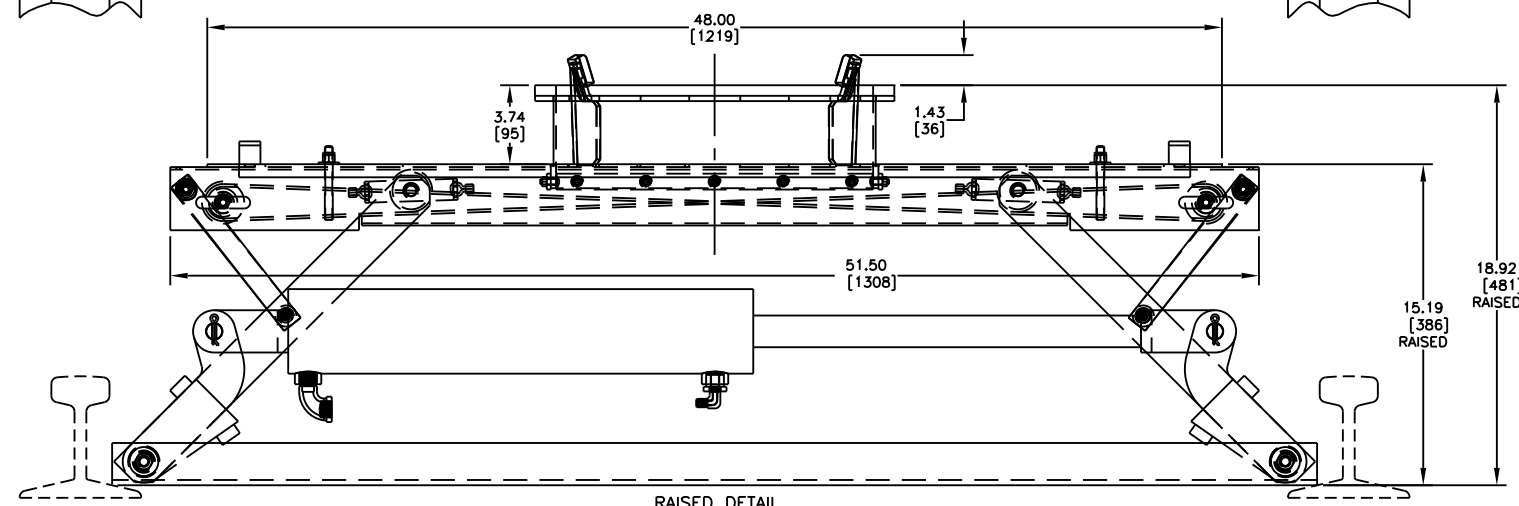
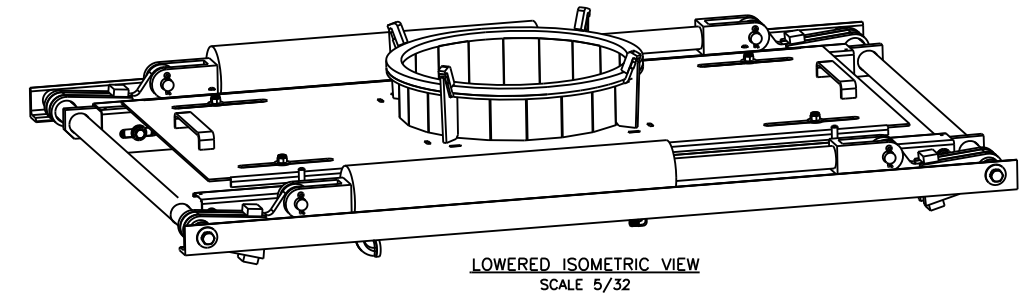
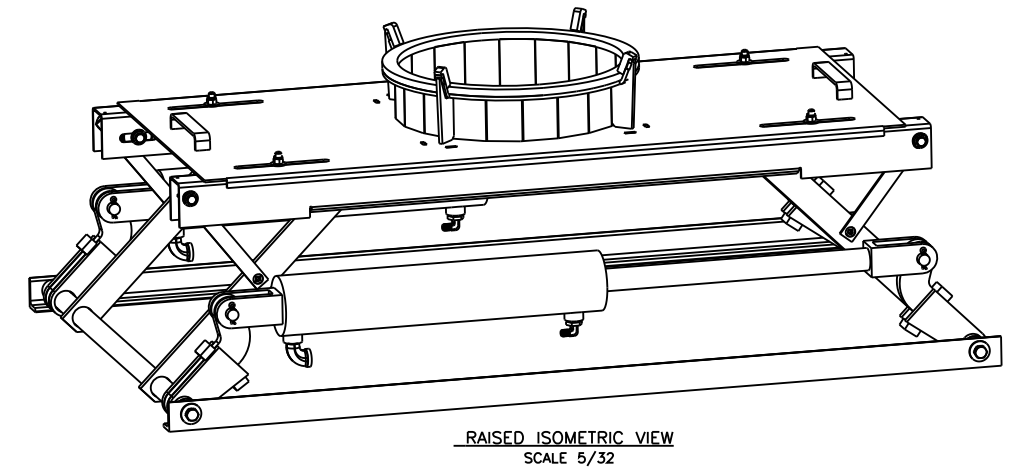


ITEM	QTY.	DESCRIPTION	PART NUMBER
1	1	SBLR-18 BOOTLIFT ASSEMBLY	SBLR-18XXXX
2	1	BOOTLIFT ALIGNER	17326

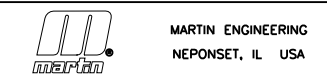


- △ NOTES:
- 1) ALL DIMENSIONS ARE GIVEN IN INCHES [MM].
 - 2) ALL DIMENSIONS ARE FOR REFERENCE ONLY.
 - 3) IN THE SBLR-18XXXX PART NUMBER THE "18" INDICATES THE BOOTLIFT MODEL NUMBER:
18 = SBLR-18 MODEL TYPE
THE FIRST X INDICATES PAINTED COMPONENTS COLOR:
S = STANDARD MARTIN ORANGE COMPONENTS
F = SANDBLASTED COMPONENTS REPAINTED WHITE EPOXY
C = SANDBLASTED COMPONENTS REPAINTED STEEL-IT GRAY
THE NEXT X INDICATES THE FUNNEL TYPE:
0 = NO FUNNEL
1 = STANDARD PAINTED FUNNEL
2 = STAINLESS FUNNEL
THE NEXT X INDICATES THE CYLINDER CONTROLS:
0 = NO CONTROLS
1 = HYDRAULIC CYLINDER CONTROLS
THE NEXT X INDICATES THE LIFT CYLINDER TYPE:
0 = NO LIFT CYLINDERS
1 = HYDRAULIC LIFT CYLINDERS
 - 4) BOOT (P/N: 21055-XX) TO BE ORDERED SEPARATELY. CUSTOMER TO SUPPLY DIMENSIONS OF OPENING PER MARTIN ENGINEERING CO. DATA SHEET.

- NOTES:
- 5) WITH THE BOOTLIFT ALREADY INSTALLED, PLACE THE ALIGNER UNIT ON THE SIDE OF THE BOOTLIFT THAT WILL ALLOW THE MOST ROOM FOR THE INSTALLATION. THIS SHOULD HAVE BEEN DETERMINED WHEN THE PIT OPENING WAS CONSTRUCTED.
 - 6) CONNECT THE ALIGNER TO THE BOOTLIFT BY SLIPPING THE FINGER CLAMPS OVER THE BOOTLIFT FRAME.
 - 7) ADJUST THE ALIGNER FRAME SO THAT IT IS IN THE CENTER OF ITS TRAVEL AND CLAMP THE ALIGNER BRACKETS TO THE RAILS.
 - 8) TO ADJUST THE BOOTLIFT SLIP THE HANDLE IN THE SOCKET AND MOVE IT PARALLEL TO THE TRACKS.
 - 9) THE ALIGNER ALLOWS FOR 3" OF TRAVEL IN EITHER DIRECTION.
 - 10) REFERENCE BOOTLIFT OPERATORS MANUAL (P/N M3198) FOR INSTALLATION DETAILS.



© Copyright 1994 Martin Engineering. All rights reserved. Covered by U.S. and foreign patents pending and issued. ® and TM indicate trademarks of Martin Engineering.



TITLE	SBLR-18 BOOT-LIFT® WITH BOOT-LIFT® ALIGNER	DRAWN C.A.N.	DATE 05/20/94
NO.	DESCRIPTION	ECN	DATE
1	CHGD P/N 19830 TO SBLR-18XXXX IN BOM / ADDED NOTES / ADDED TOP & LOWERED DETAIL VIEWS / UPDATED DIMENSIONALLY & PICTORALLY / RMDV SBLR-18 / CONSOLE VIEW	14553	05/11/16
2	REVISION		
SALES DRAWING		BY	JMH
MO0204			
S33942			
SCALE 7/32			

