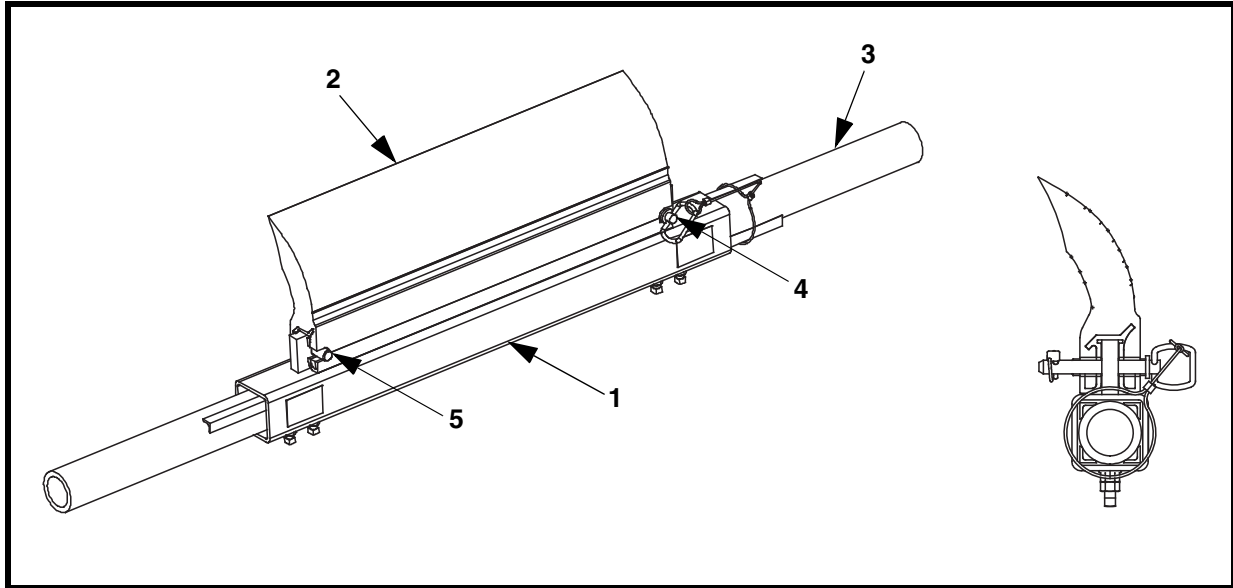


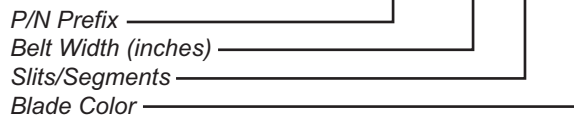
Martin® QC1™ Cleaner HD Max Replacement Parts List



Martin® QC1™ Cleaner HD Max Assembly, P/N 38926-XXXXXXXX

Item	Description	Part No.	Qty.
1	Mainframe	36231-XX	1
2	Blade	38900-XXXXXX	1
3	Pipe End Weldment	32332-XX	2
4	Hitch Pin with Lynch Pin	36976	1
5	Knurled Pin	36046	1
—	Mainframe Assembly without Blade	36898-XXR	—

BLADE NOMENCLATURE 38900 - XX XX XX



SLITS/SEGMENTS

- 11: No slits or segments
- 10: Segments only
- 01: Slits only
- 00: Slits & Segments

BLADE COLOR

- BR: Brown
- CL: Tan
- GR: Green
- NB: Navy Blue
- YL: Yellow
- Blank: Orange