

# Martin® PV Cleaner

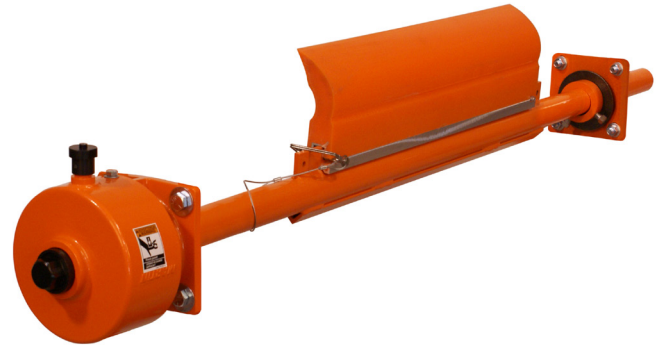
Engineered to simplify blade service and reduce costs, the [Martin® PV Cleaner](#) provides quick and easy “one-pin, no-tool” blade replacement.

Affordably-priced cleaner saves money on purchase of system and on price of replacement blades.

“One-pin” attachment means fast and easy maintenance, less downtime for blade service; no more fighting rusty bolts and no more lost fasteners.

In-stock assemblies are available for quick shipment to keep your system running clean.

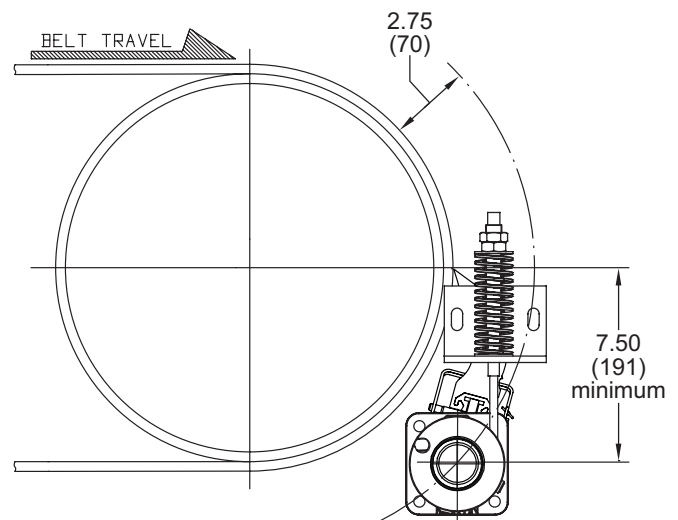
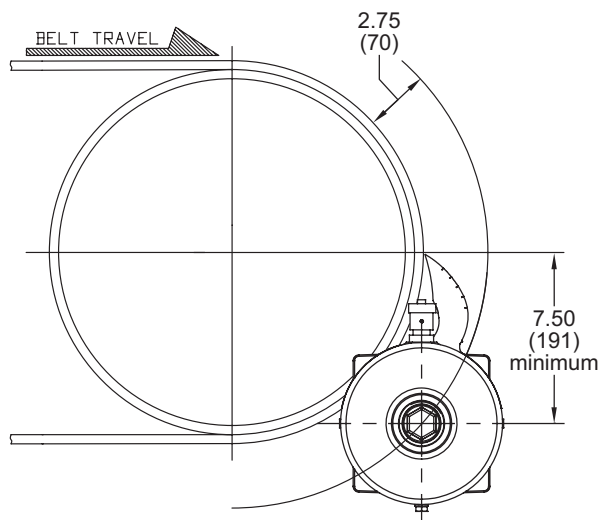
Full assemblies complete with tensioners. Match cleaning width to conveyor load profile.



Martin® PV Cleaner with CARP Blade and Martin® Twist Tensioner

## SPECIFICATIONS

<b>Maximum Belt Speed</b>	500 fpm (2.54 m/s)
<b>Max. Service Temperature</b>	
constant:	150°F (66°C)
intermittent:	180°F (82°C)
<b>Maximum Pulley Diameter</b>	16 in (400 mm)
<b>Mounting Distance</b>	2.75 in (70 mm)

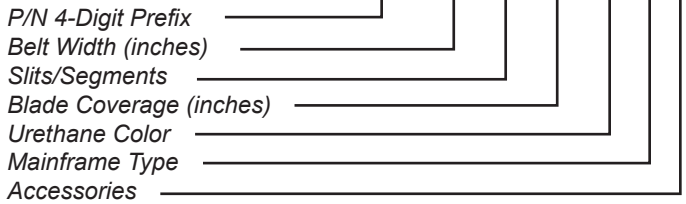


# TECHNICAL DATA SHEET

## ORDER INFORMATION

Item	P/N
For belt widths 18–54 in. (400–1600) assembly includes: Martin® PV Cleaner with Blade on Mainframe and Martin® Spring Cable Tensioner	PV1S-XXXXXXXXXXC
For belt widths 18–72 in. (400–2000) assembly includes: Martin® PV Cleaner with Blade on Mainframe and Martin® Twist Tensioner	PV1S-XXXXXXXXXT

## NOMENCLATURE



## BLADE TYPE

- Ø: No Blade
- 11: Solid Blade
- 10: Segments Only
- 01: Slits Only
- 00: Slits and Segments

## URETHANE COLOR

- Ø: No Blade
- OR: Orange
- BR: Brown
- CL: Tan
- NB: Navy Blue
- GR: Green

## MAINFRAME TYPE

- Ø: No Mainframe
- P: Painted Mainframe

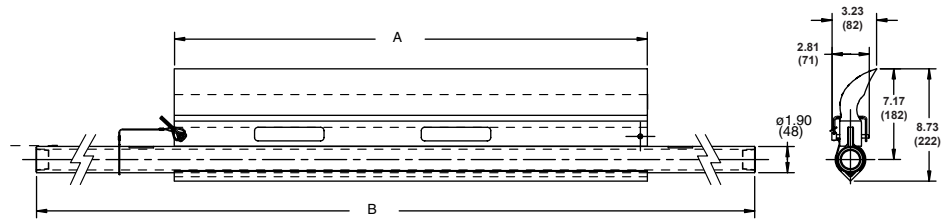
## ACCESSORIES

- Ø: No Options
- C: Spring Cable Tensioner
- T: Twist Tensioner

## REPLACEMENT BLADES

### PV-XXXXXXXX

Replace first two Xs with Belt Width,  
 second two Xs with Slits/Segments,  
 third two Xs with Belt Coverage, and  
 last two Xs with Urethane Color.



PV1S-361134XXXX SHOWN

## MARTIN® PV CLEANER DIMENSIONS—IN. (MM)

P/N	Belt Width in. (mm)	A in. (mm)	B in. (mm)	Shipping Weight w/o Tensioner: lb (kg)
PV1S-18XX12XXXX	18 (400-500)	12 (305)	48 (1219)	22 (10)
PV1S-18XX16XXXX	18 (400-500)	16 (406)	48 (1219)	23 (10.5)
PV1S-24XX18XXXX	24 (500-650)	18 (457)	54 (1372)	27 (12)
PV1S-24XX22XXXX	24 (500-650)	22 (559)	54 (1372)	28 (13)
PV1S-30XX24XXXX	30 (650-800)	24 (610)	60 (1524)	32 (14.5)
PV1S-30XX28XXXX	30 (650-800)	28 (711)	60 (1524)	33 (15)
PV1S-36XX30XXXX	36 (800-1000)	30 (762)	66 (1676)	37 (17)
PV1S-36XX34XXXX	36 (800-1000)	34 (864)	66 (1676)	38 (17)
PV1S-42XX36XXXX	42 (1000-1200)	36 (914)	72 (1829)	42 (19)
PV1S-42XX40XXXX	42 (1000-1200)	40 (1016)	72 (1829)	43 (20)
PV1S-48XX42XXXX	48 (1200-1400)	42 (1067)	78 (1981)	47 (21)
PV1S-48XX46XXXX	48 (1200-1400)	46 (1168)	78 (1981)	48 (22)
PV1S-54XX48XXXX	54 (1400-1600)	48 (1219)	84 (2134)	52 (23.5)
PV1S-54XX52XXXX	54 (1400-1600)	52 (1321)	84 (2134)	53 (24)
*PV1S-60XX54XXXX	60 (1600-1800)	54 (1372)	90 (2286)	57 (25)
*PV1S-60XX58XXXX	60 (1600-1800)	58 (1473)	90 (2286)	58 (26)
*PV1S-72XX66XXXX	72 (1800-2000)	66 (1676)	102 (2591)	67 (30)
*PV1S-72XX70XXXX	72 (1800-2000)	70 (1778)	102 (2591)	68 (31)

\* Available only with Martin® Twist or Spring Tensioner. Dual tensioners required on assemblies for belt widths 54 in. and above.

# TECHNICAL DATA SHEET

## TENSIONER OPTIONS

Item	P/N
Martin® Spring Cable Tensioner	37944
Martin® Twist Tensioner	38850

## ACCESSORIES

Item	P/N
Martin® Inspection Door	CYA-0912XXXXX
Hanger Mount	27382

## FREQUENTLY ASKED QUESTIONS

Can the Martin® PV Blade be used on the Martin® QC™ standard mainframe?

Yes, verify mounting location is 2.75 inches.

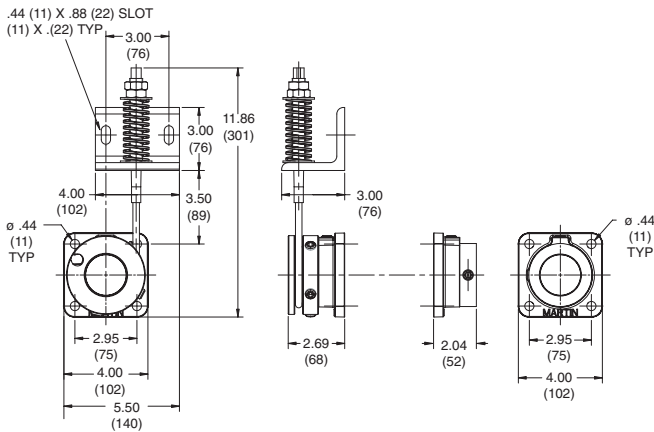
My Pre-Cleaner keeps flipping through. What is wrong?

The mounting location may be too far away from the belt. Relocate to the proper dimension. Replace the mainframe or end weldments if they are bent.

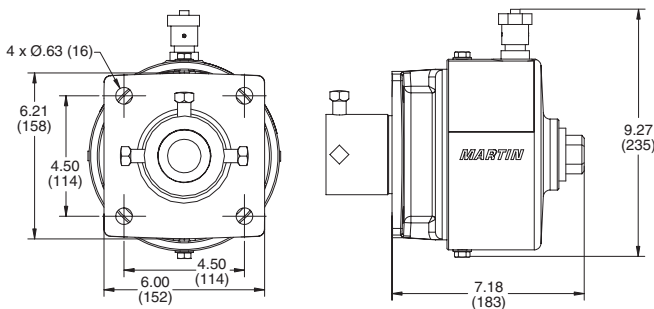
My Pre-Cleaner is wearing more in the center of the blade.

The blade is too wide for this application. Replace with a shorter length blade.

## MARTIN® SPRING CABLE TENSIONER



## MARTIN® TWIST TENSIONER



**Martin Engineering USA**  
 One Martin Place  
 Neponset, IL 61345-9766 USA  
 800 544 2947 or 309 852 2384  
 Fax 800 814 1553  
 www.martin-eng.com

**COMPANY WITH  
 QUALITY SYSTEM  
 CERTIFIED BY DNV  
 = ISO 9001:2008 =**

**Problem Solved™ GUARANTEED!**

Form No. L3736-06/16  
 © Martin Engineering Company 2006, 2016