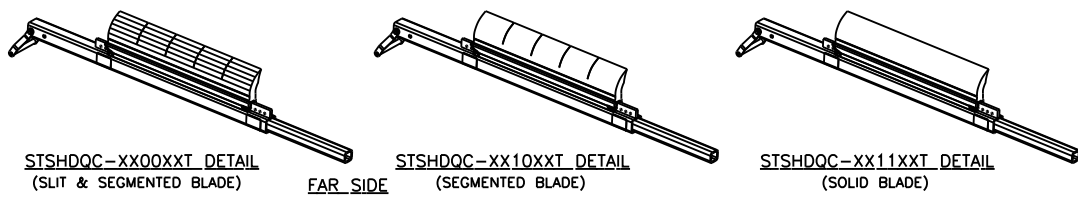


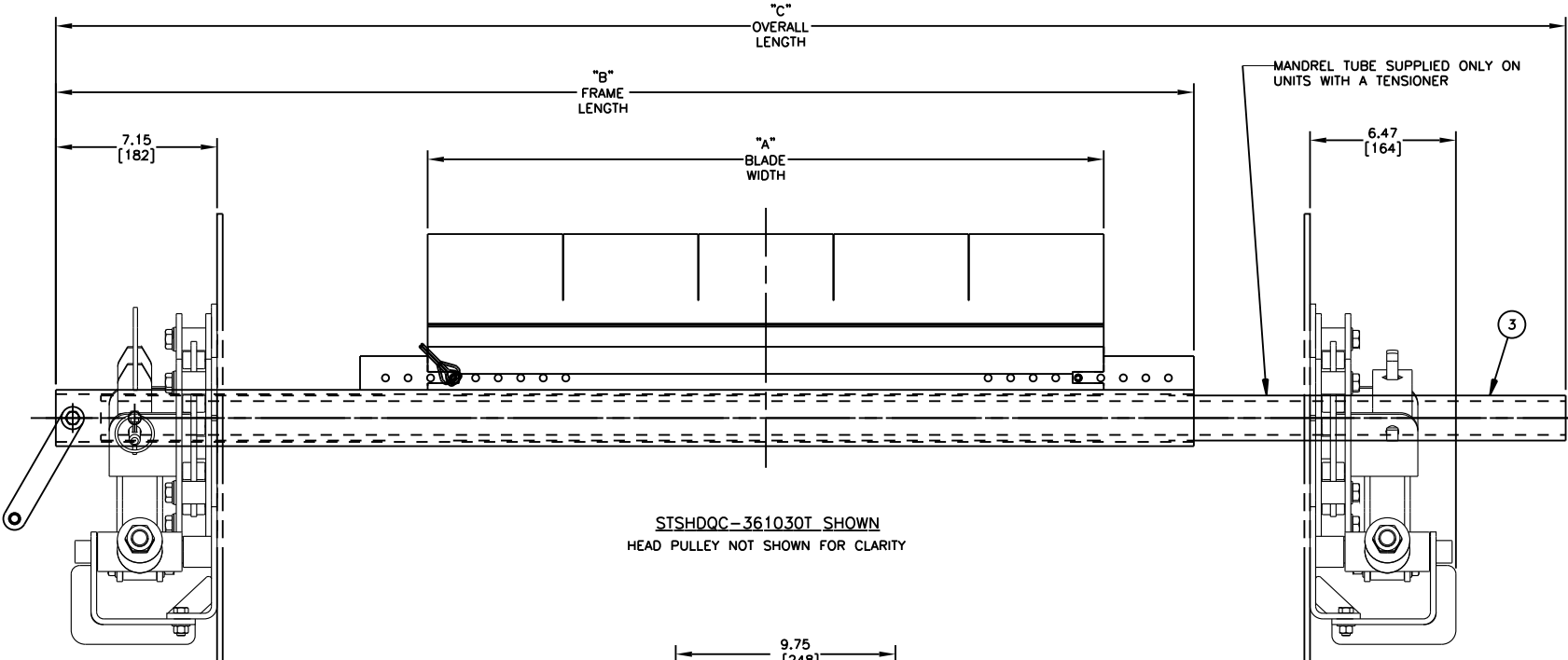
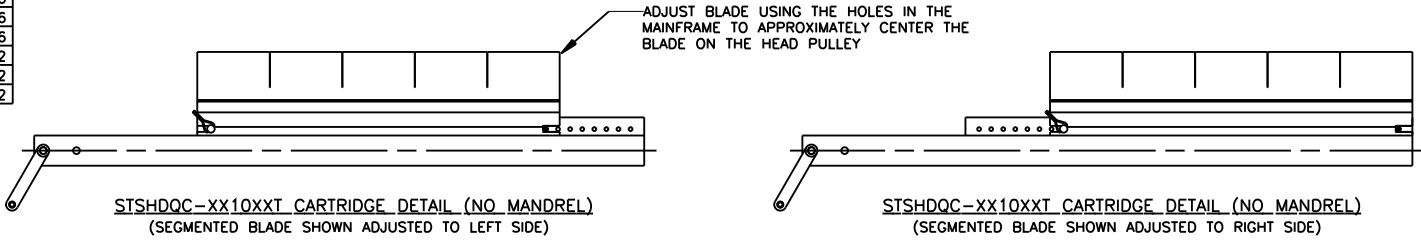
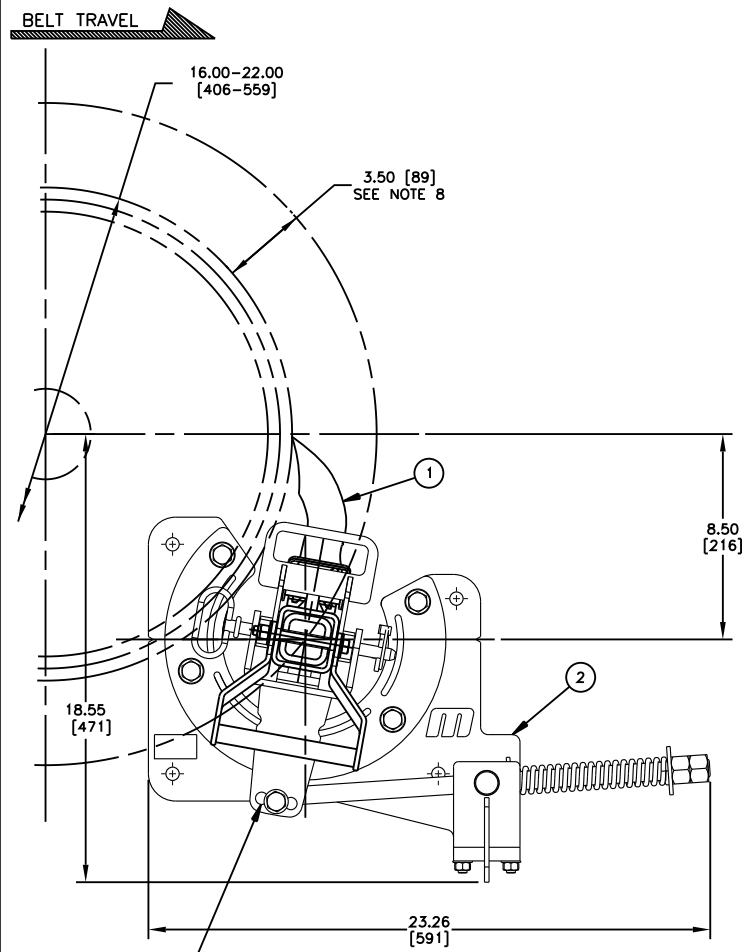
PART NUMBER	BELT WIDTH	DIMENSION "A" BLADE WIDTH	DIMENSION "B" FRAME LENGTH	DIMENSION "C" OVERALL LENGTH	PART NO. ITEM 2	PART NO. ITEM 3
STSHDQC-24X16XXT	24.00 [500-650]	16.00 [406]	38.50 [978]	55.00 [1397]	39100-HDS1	39376-24
STSHDQC-24X18XXT	24.00 [500-650]	18.00 [457]	38.50 [978]	55.00 [1397]	39100-HDS1	39376-24
STSHDQC-24X22XXT	24.00 [500-650]	22.00 [559]	38.50 [978]	55.00 [1397]	39100-HDS1	39376-24
STSHDQC-30X22XXT	30.00 [650-800]	22.00 [559]	44.50 [1130]	61.00 [1549]	39100-HDS1	39376-30
STSHDQC-30X24XXT	30.00 [650-800]	24.00 [610]	44.50 [1130]	61.00 [1549]	39100-HDS1	39376-30
STSHDQC-30X28XXT	30.00 [650-800]	28.00 [711]	44.50 [1130]	61.00 [1549]	39100-HDS1	39376-30
STSHDQC-36X28XXT	36.00 [800-1000]	28.00 [711]	50.50 [1283]	67.00 [1702]	39100-HDS1	39376-36
STSHDQC-36X30XXT	36.00 [800-1000]	30.00 [762]	50.50 [1283]	67.00 [1702]	39100-HDS1	39376-36
STSHDQC-36X34XXT	36.00 [800-1000]	34.00 [864]	50.50 [1283]	67.00 [1702]	39100-HDS1	39376-36
STSHDQC-42X34XXT	42.00 [1000-1200]	34.00 [864]	56.50 [1435]	73.00 [1854]	39100-HDS1	39376-42
STSHDQC-42X36XXT	42.00 [1000-1200]	36.00 [914]	56.50 [1435]	73.00 [1854]	39100-HDS1	39376-42
STSHDQC-42X40XXT	42.00 [1000-1200]	40.00 [1016]	56.50 [1435]	73.00 [1854]	39100-HDS1	39376-42
STSHDQC-48X40XXT	48.00 [1200-1400]	40.00 [1016]	62.50 [1588]	79.00 [2007]	39100-HDS1	39376-48
STSHDQC-48X42XXT	48.00 [1200-1400]	42.00 [1067]	62.50 [1588]	79.00 [2007]	39100-HDS1	39376-48
STSHDQC-48X46XXT	48.00 [1200-1400]	46.00 [1168]	62.50 [1588]	79.00 [2007]	39100-HDS1	39376-48
STSHDQC-54X46XXT	54.00 [1400-1600]	46.00 [1168]	68.50 [1740]	85.00 [2159]	39100-HDS2	39376-54
STSHDQC-54X48XXT	54.00 [1400-1600]	48.00 [1219]	68.50 [1740]	85.00 [2159]	39100-HDS2	39376-54
STSHDQC-54X52XXT	54.00 [1400-1600]	52.00 [1321]	68.50 [1740]	85.00 [2159]	39100-HDS2	39376-54
STSHDQC-60X52XXT	60.00 [1600-1800]	52.00 [1321]	74.50 [1892]	91.00 [2311]	39100-HDS2	39376-60
STSHDQC-60X54XXT	60.00 [1600-1800]	54.00 [1372]	74.50 [1892]	91.00 [2311]	39100-HDS2	39376-60
STSHDQC-60X58XXT	60.00 [1600-1800]	58.00 [1473]	74.50 [1892]	91.00 [2311]	39100-HDS2	39376-60
STSHDQC-66X58XXT	66.00 [1600-1800]	58.00 [1473]	80.50 [2045]	97.00 [2464]	39100-HDS2	39376-66
STSHDQC-66X60XXT	66.00 [1600-1800]	60.00 [1524]	80.50 [2045]	97.00 [2464]	39100-HDS2	39376-66
STSHDQC-66X64XXT	66.00 [1600-1800]	64.00 [1626]	80.50 [2045]	97.00 [2464]	39100-HDS2	39376-66
STSHDQC-72X64XXT	72.00 [1800-2000]	64.00 [1626]	86.50 [2197]	103.00 [2616]	39100-HDS2	39376-72
STSHDQC-72X66XXT	72.00 [1800-2000]	66.00 [1676]	86.50 [2197]	103.00 [2616]	39100-HDS2	39376-72
STSHDQC-72X70XXT	72.00 [1800-2000]	70.00 [1778]	86.50 [2197]	103.00 [2616]	39100-HDS2	39376-72

ITEM	QTY.	DESCRIPTION	PART NUMBER
1	1	MARTIN® STS HD OC1™ MAINFRAME ASM	STSHDQC-XXXXXXXT
2	1	STS HD SPRING TENSIONER ASM	SEE CHART
3	1	STS HD OC1™ MANDREL SS	SEE CHART

OPERATORS SIDE

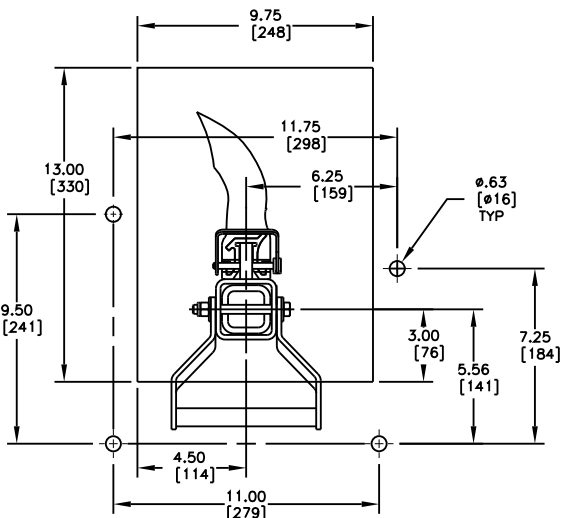
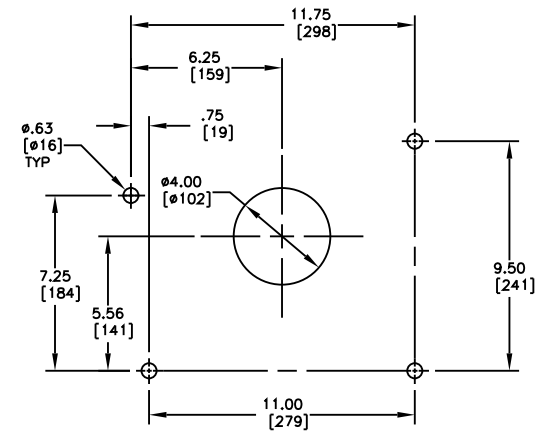
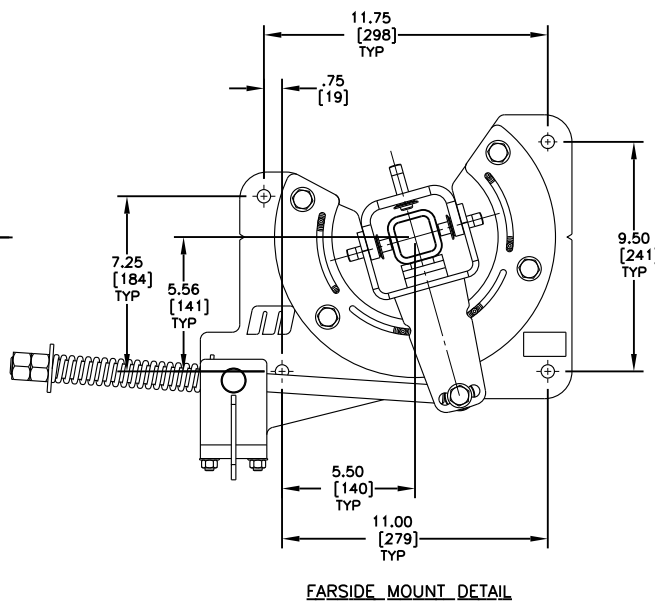


- NOTES:
- 1) ALL DIMENSIONS ARE GIVEN IN INCHES [MM] AND ARE FOR REFERENCE ONLY.
 - 2) IN THE STSHDQC-XXXXXXXT PART NUMBER THE FIRST TWO XX'S INDICATE THE BELT WIDTH. THE THIRD X INDICATES A SOLID (1) OR SLIT (0) BLADE. THE FOURTH X INDICATES A SOLID (1) OR SEGMENTED (0) BLADE. THE NEXT TWO XX'S INDICATE BLADE WIDTH. THE NEXT TWO XX'S INDICATE THE BLADE COLOR/MATERIAL (SEE BLADE COLOR CHART). THE T INDICATES IF A TENSIONER/MANDREL IS INCLUDED.
 - EXAMPLES:
STSHDQC-361130T = 36" BELT WIDTH, 30" BLADE W/O SILTS AND SEGMENTS, WITH A SPRING TENSIONER/MANDREL.
STSHDQC-361128 = 36" BELT WIDTH, 28" BLADE W/O SILTS AND SEGMENTS, WITHOUT A SPRING TENSIONER/MANDREL.
 - 3) THE PRE-CLEANER BLADE IS DESIGNED FOR HEAD PULLEY'S WITH A MINIMUM EFFECTIVE DIAMETER OF 16.00 [400].
 - 4) CLEANER IS SHOWN IN RECOMMENDED WORKING POSITION.
 - 5) WHERE EXTREME OR UNUSUAL CONDITIONS EXIST, OR SPECIAL MAINFRAME LENGTHS ARE REQUIRED CONTACT MARTIN ENGINEERING.
 - 6) SPRING TENSIONER MAY BE BOLTED OR WELDED IN PLACE. MARTIN ENGINEERING RECOMMENDS BOLTING WHEN APPLICABLE FOR EASIER MAINTENANCE AND ACCESSIBILITY.
 - 7) REFER TO OPERATOR'S MANUAL M4043 FOR COMPLETE INSTALLATION INSTRUCTIONS.
 - 8) CLEANER CAN BE LOCATED ANYWHERE ALONG THE ARC, AS LONG AS THE MAINFRAME IS OUT OF MATERIAL TRAJECTORY AND THE BLADE TIPS ARE BELOW THE HORIZONTAL CENTERLINE OF THE HEAD PULLEY.
 - 9) THE HD OC1 PRE-CLEANER BLADES ARE DESIGNED TO REMOVE HEAVY CARRYBACK ONLY. DO NOT OVERTENSION.
 - 10) BELT COVERAGE IS LESS THAN BELT WIDTH, DUE TO POSSIBLE MISTRACKING OR DAMAGED EDGES OF THE BELT.



ASSEMBLY PART NO.	COLOR
STSHDQC-XXXXXXXT	ORANGE
STSHDQC-XXXXXXBT *	BLACK
STSHDQC-XXXXXXBRT	BROWN
STSHDQC-XXXXXXCLT	TAN
STSHDQC-XXXXXXGRT	GREEN
STSHDQC-XXXXXXNBT	NAVY BLUE
STSHDQC-XXXXXXCYT *	YELLOW W/BEADS

* ONLY OFFERED IN SOLID (11)



NO.	DESCRIPTION	ECN	DATE	BY	SALES DRAWING	DATE	SCALE
AutoCAD	REVISION				PR13077	11/10/15	1/4

© Copyright 2013 Martin Engineering. All rights reserved. Covered by U.S. and foreign patents pending and issued. ® and TM indicate trademarks of Martin Engineering.

MARTIN ENGINEERING-USA
NEPONSET, IL USA

TITLE: MARTIN® STS HD OC1™ ASM WITH SPRING TENS

DRAWN RND: DATE 11/10/15
CHECKED: DATE 11/10/15
APPROVED: DATE 11/12/15
SCALE 1/4

