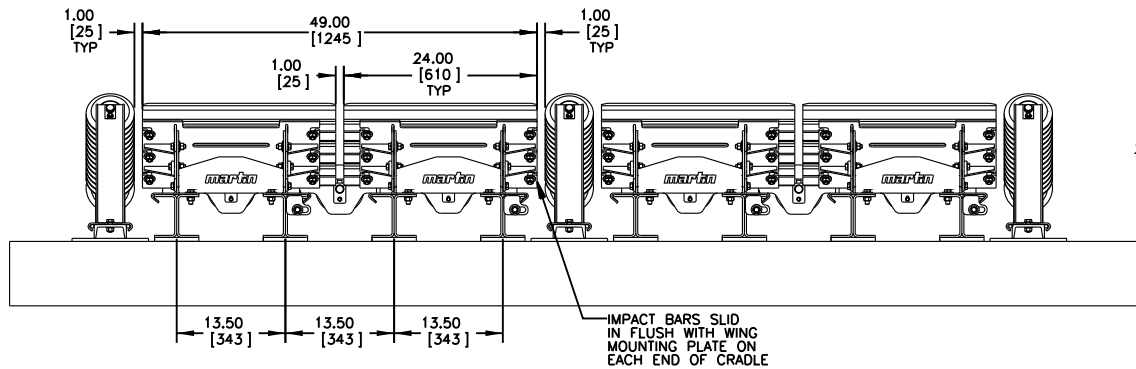
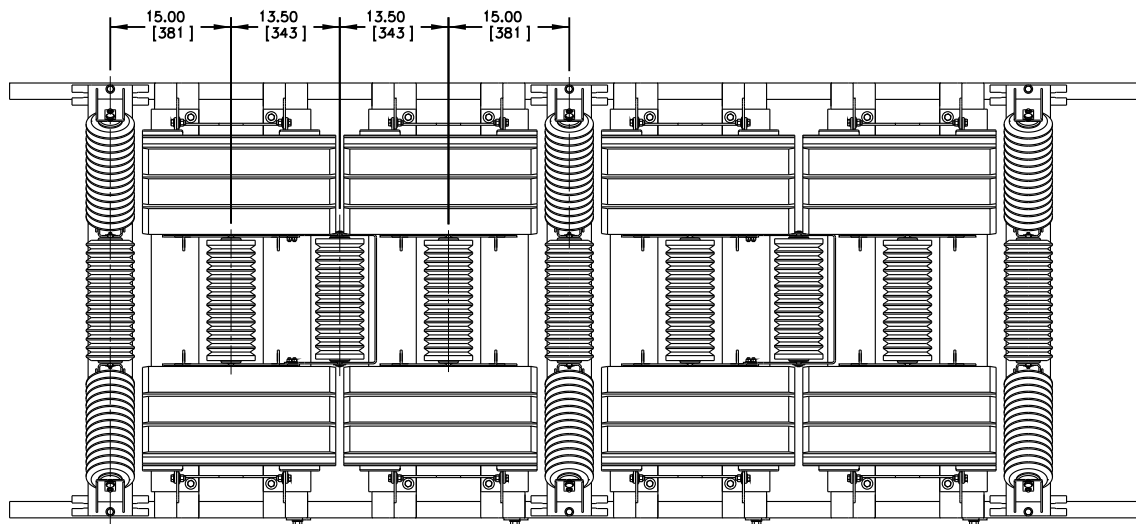
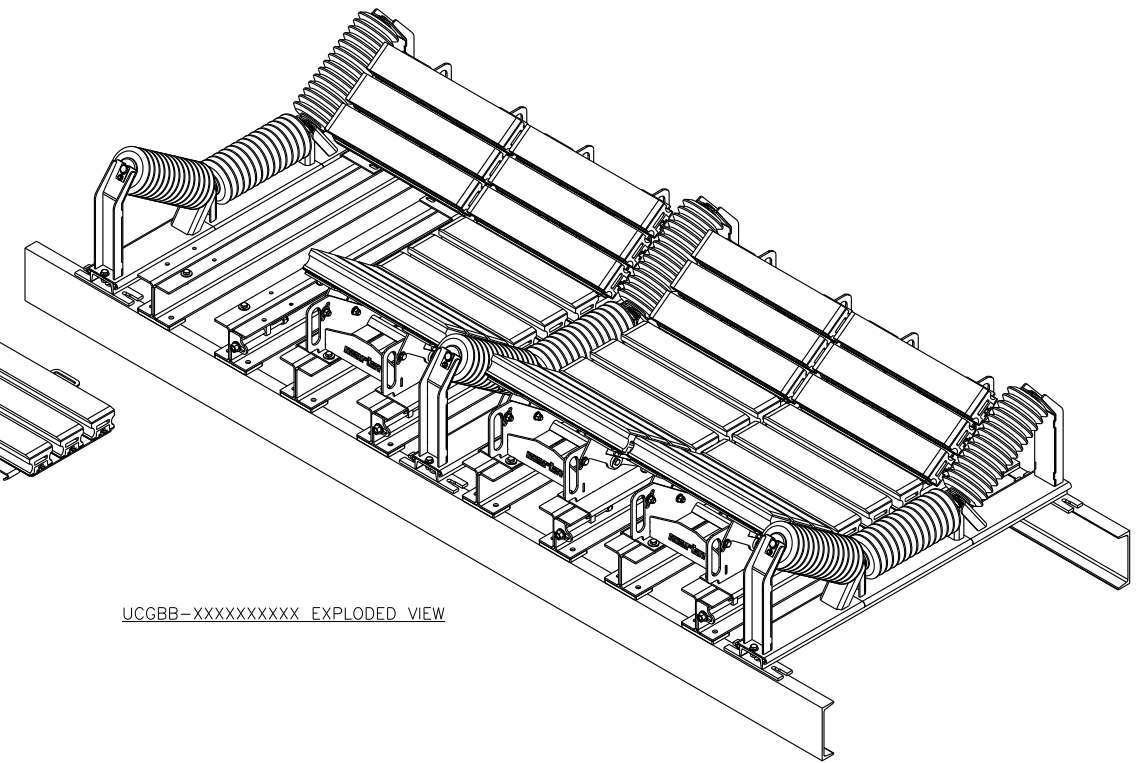
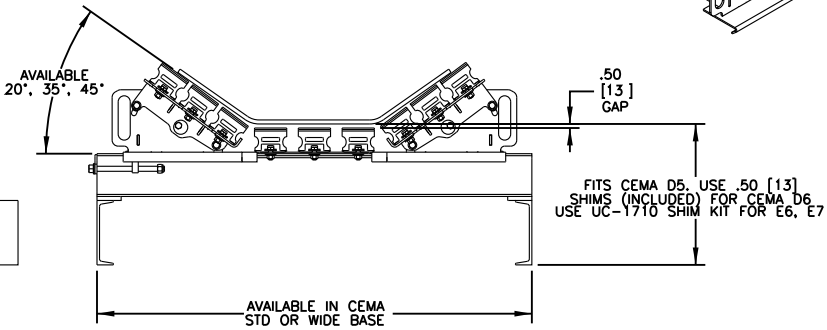


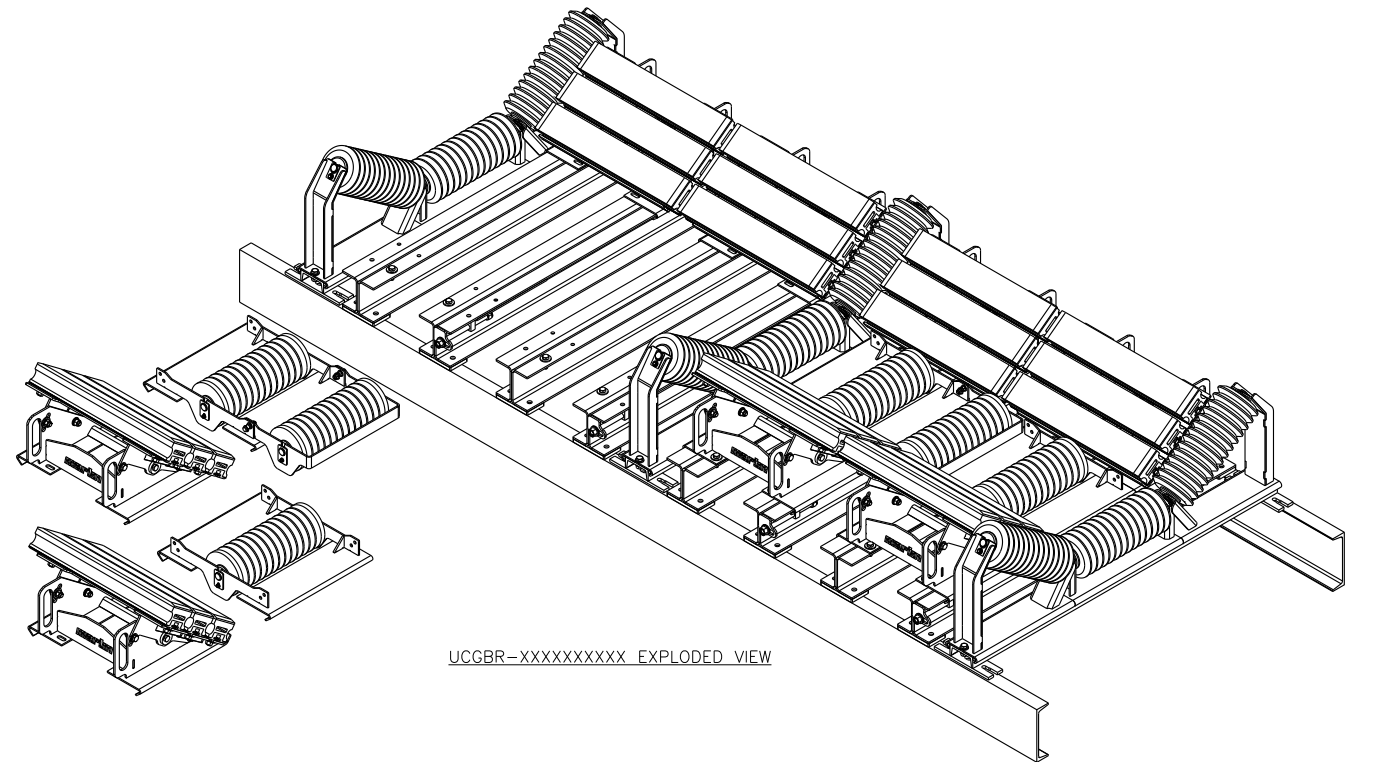
UCGBB-XXXXXXX LAYOUT



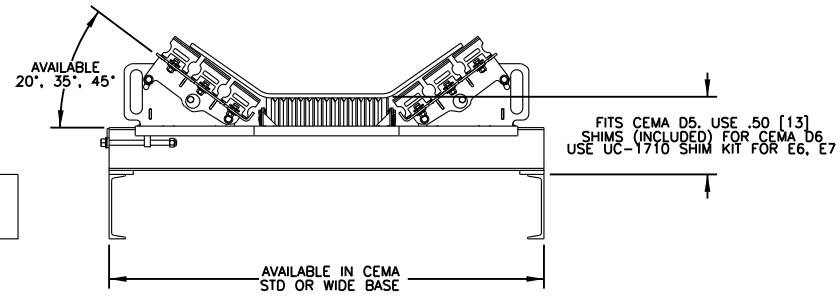
UCGBR-XXXXXXX LAYOUT



UCGBB-XXXXXXX EXPLODED VIEW



UCGBR-XXXXXXX EXPLODED VIEW



- NOTES:
- 1) ALL DIMENSIONS ARE GIVEN IN INCHES [MM].
 - 2) ALL DIMENSIONS ARE FOR REFERENCE ONLY.
 - 3) MARTIN ENGINEERING RECOMMENDS THAT TRAC-MOUNTED IMPACT IDLERS BE POSITIONED 1.00 [25] BEFORE AND AFTER IMPACT AND COMBINATION CRADLES.
 - 4) REFER TO CRADLE OPERATOR'S MANUAL FOR COMPLETE INSTALLATION AND MAINTENANCE INSTRUCTIONS.
 - 5) REFER TO MARTIN ENGINEERING DRAWINGS UCGBR-XXXXXXX AND UCGBG-XXXXXXX FOR COMPLETE DIMENSIONAL AND PART NUMBER INFORMATION ON CRADLES.

Copyright 2013 Martin Engineering. All rights reserved. Covered by U.S. and foreign patents pending and issued. ® and ™ indicate trademarks of Martin Engineering.

MARTIN ENGINEERING-USA
NEPONSET, IL USA

TITLE	EVO® IMPACT AND COMBINATION CRADLE	DRAWN JAP DATE 04/08/13
SALES DRAWING		CHECKED ENG. JAX DATE 04/10/13
NO. MD0852	REVISION	APPROVED JLM DATE 04/11/13
		SCALE 1:12

NO.	DESCRIPTION	ECN	DATE	BY
SOLIDWORKS	REVISION			

