

Cougar® Concrete Form Vibrators

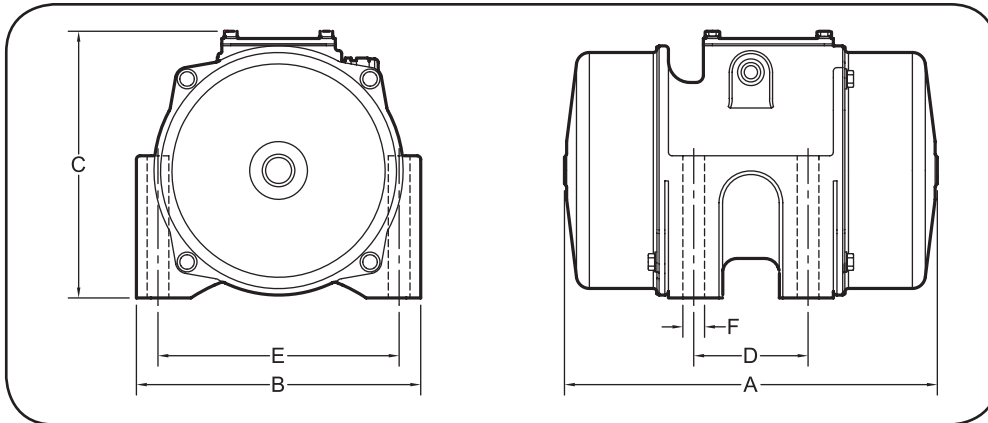


FEATURES

- Interchanges with Bosch 18-120 & Iskco EVL-35
- 3000 Force lb – 3450 RPM
- 230 volt/ 460 volt – 3 Phase 60Hz
- Ductile Iron Bearing Housings
- Roller Bearings Designed for Vibration
- High Temperature Class H Windings
- Adjustable Eccentrics 0–100%

Specify Cougar for:

- Cost effective solutions
- Expert technical assistance
- Complete service and support



DIMENSIONS (inch)

Model	A	B	C	Bolt Pattern		Bolt Size	Weight lbs
				D	E	F	
B3-3000-2	12.938	9.813	9.250	3 1/16	7 7/8	5/8	58

PERFORMANCE DATA

Model	In. Lbs.	RPM	Force Lbs.	Amps		HP
				230 Volt	460 Volt	
B3-3000-2	8.94	3450	3000	2.80	1.40	1



Martin Engineering USA
 One Martin Place
 Neponset, IL 61345-9766 USA
 800 544 2947 or 309 852 2384
 Fax 800 814 1553
 www.martin-eng.com

**COMPANY WITH
 QUALITY SYSTEM
 CERTIFIED BY DNV
 = ISO 9001:2008 =**

COUGAR
VIBRATION SOLUTIONS