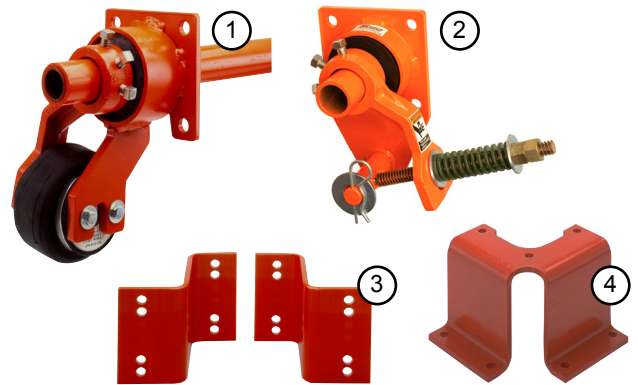


# Martin® Tensioners and Brackets

Tensioners and brackets listed here are for Martin Engineerings standard belt cleaning systems and are not suitable for food grade applications.

Reversing belt cleaners require linear brackets and tensioners.

- (1) Air tensioner
- (2) Spring tensioner
- (3) "Z"-Bracket
- (4) Corner flange bracket



### Installation brackets

Description	Part no.	Shipping weight [kg]
"L" Bracket	33706	0.9
Corner flange bracket	30537	9.1
Hanger mount for Martin® Twist™ tensioner	27382+E	4.5
Hanger mount for reversing applications	33288	6.8
Hanger mount for secondary cleaners	34233+E	8.6

### Tensioners and brackets for reversing applications

Description	Belt width	Part no.	Shipping weight [kg]
Spring tensioner	18-96 (500-2400)	33599-M	22.7
"Z" Bracket	-	31158-01	3.6
Hanger mount	-	33288	6.8

### Primary cleaner tensioners

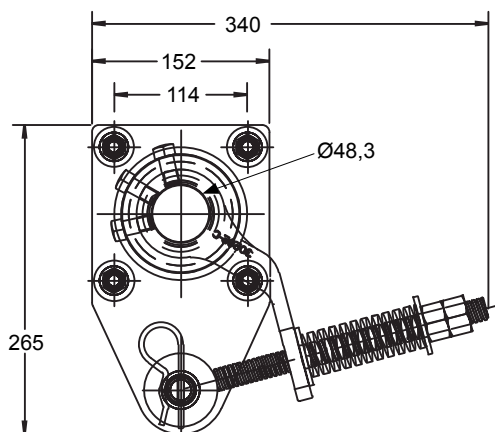
Description	Belt width	Part no.	Shipping weight [kg]
Air tensioner with rubber damper	18-54 (400-1600)	32745+E	10.9
Air tensioner with rubber damper (Dual)	60-96 (1600-2400)	32745-2R+E	15.0
Spring tensioner	18-48 (400-1200)	38180	10.0
Spring tensioner (Dual)	54-96 (1400-2400)	38180-2	13.6

### Secondary cleaner tensioners

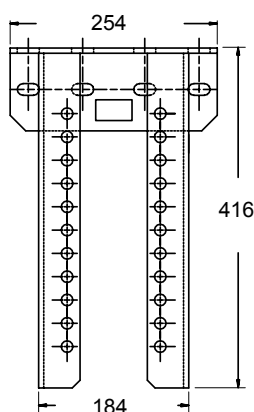
Description	Belt width	Part no.	Shipping weight [kg]
Spring tensioner			
with adjustable bracket	18-54 (400-1600)	31291-SM	15.9
for DT2S belt cleaner	18-120 (400-3200)	37707	31.3
for DT2H belt cleaner	18-96 (400-2400)	37806	37.6
Air tensioner			
with rubber damper	18-54 (400-1600)	32745+E	10.9
with rubber damper (Dual)	60-96 (1600-2400)	32745-2R+E	15.0
for DT2S belt cleaner	18-120 (400-3200)	37707-A	31.3
for DT2H belt cleaner	18-96 (400-2400)	37806-A	37.6

## DIMENSIONS - [mm]

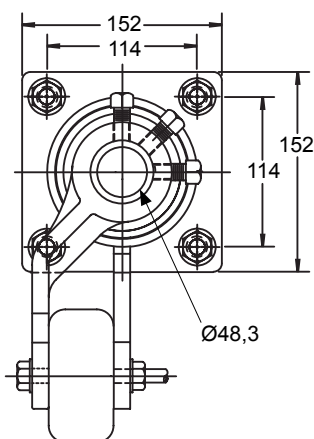
Spring tensioner (Part no. 38180)



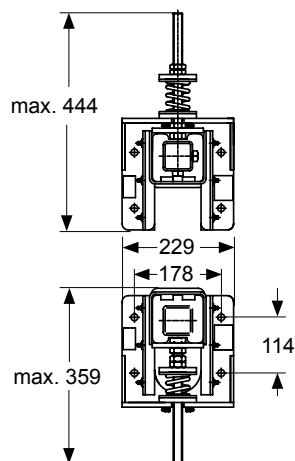
Hanger mount (Part no. 27382+E)



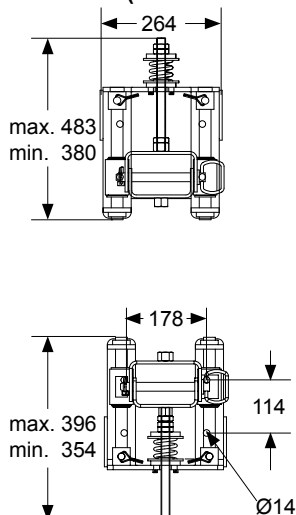
Air tensioner with rubber damper (Part no. 32745+E)



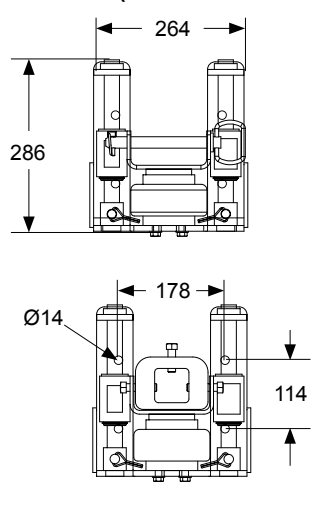
Spring tensioner for reversing applications (Part no. 33599-M)



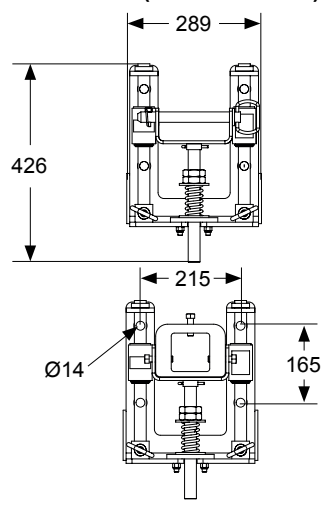
Spring tensioner for DT2S (Part no. 37707)



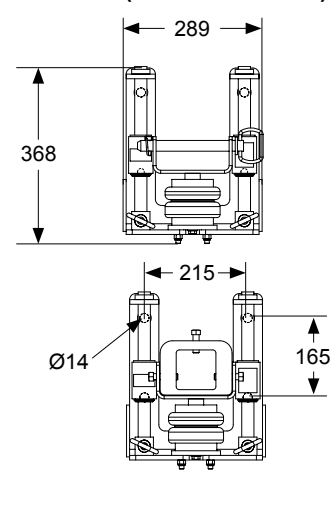
Air tensioner for DT2S (Part no. 37707-A)



Spring tensioner for DT2H (Part no. 37806)



Air tensioner for DT2H (Part no. 37806-A)



**Martin Engineering GmbH**

In der Rehbach 14  
D-65396 Walluf, Germany  
Ph. +49 (0)6123 97820  
Fax +49 (0)6123 75533

info@martin-eng.de | www.martin-eng.de

Subject to change without prior notice  
Quality management system certified according to DNV - ISO 9001

