

Cougar® Thumper™ Series Timed Impactor

The **Cougar® Thumper™ Series Timed Impactor** delivers power impactful blows through effective use of air power—producing a sledgehammer effect with minimal noise and hopper damage.

Heavy workloads are handled easily even where an air supply is limited. Well-suited for applications where flow rates are low or where a sledgehammer has proven successful.

These versatile units can be furnished with permanent mount or with quick-release adapter to facilitate easy movement from one location to another. Impactor units deliver controlled blows at a choice of intervals.

Best uses: sticky, clinging materials that adhere to chutes, hoppers and bins.



PERFORMANCE DATA

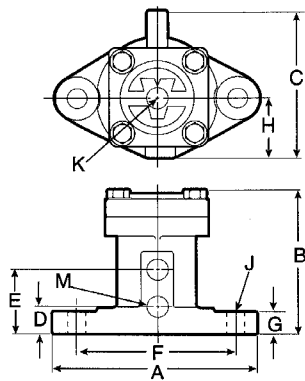
Model	80 psi (5.51 bar) (1 stroke)					Max. Weight in Sloped Section of Bin lb (kg)	
	Force Output lb (kg)	Air Consumption (Cu. Ft.)					
		20 psi	40 psi	60 psi	80 psi		
T-125	142 (64)	.002	.003	.004	.005	20,000	(9072)
T-200	376 (171)	.007	.011	.015	.019	30,000	(13,608)
T-250	571 (259)	.012	.018	.025	.032	40,000	(18,144)
T-300	835 (379)	.024	.030	.030	.050	60,000	(27,216)
T-400	1400 (635)	.062	.083	.103	.114	100,000	(45,360)

NOTE: Air consumption per impact. Cougar® Thumper™ Series Timed Impactors may be operated in temperatures -40° to 250°F (-40° to 120°C).

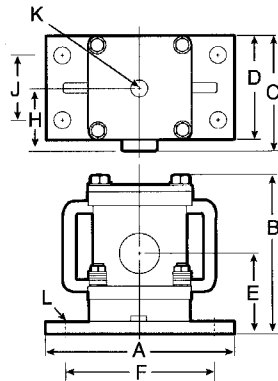
TECHNICAL DATA SHEET

DIMENSIONS—in. (mm)

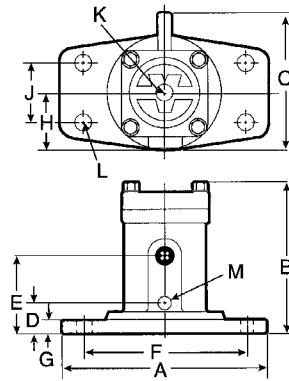
Model	A	B	C	D	E	F	G	H	J	K	L	M
T-125	5.75 [146]	4.00 [101]	4.19 [106]	0.84 [21]	1.84 [47]	4.5 [114]	0.62 [16]	1.69 [43]	0.50 [13]	0.25 [6]	—	0.25 [6]
T-200	8.87 [225]	6.00 [152]	5.75 [146]	1.56 [40]	2.76 [70]	7.5 [190]	0.75 [19]	2.47 [63]	0.62 [16]	0.50 [13]	—	0.25 [6]
T-250	11.62 [290]	7.25 [184]	6.19 [157]	6.00 [152]	3.75 [95]	9.5 [241]	1.00 [25]	3.19 [81]	3.50 [89]	0.50 [13]	0.75 [19]	—
T-300	12.00 [305]	8.62 [219]	7.69 [195]	1.75 [44]	4.00 [102]	9.5 [241]	0.75 [19]	3.25 [83]	3.50 [89]	0.75 [19]	0.75 [19]	0.50 [13]
T-400	12.00 [305]	11.88 [301]	7.38 [187]	6.00 [152]	4.25 [108]	10.0 [254]	2.50 [63]	4.40 [112]	4.00 [102]	0.75 [19]	—	0.75 [19]



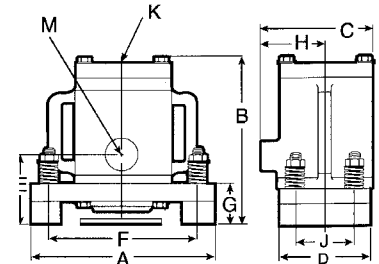
T-125, T-200



T-250



T-300



T-400



Martin Engineering USA
 One Martin Place
 Neponset, IL 61345-9766 USA
 800 544 2947 or 309 852 2384
 Fax 800 814 1553
www.martin-eng.com

**COMPANY WITH
 QUALITY SYSTEM
 CERTIFIED BY DNV
 = ISO 9001:2008 =**

Problem Solved™ GUARANTEED!

Form No. L2733-02-09/12
 © Martin Engineering Company 1998, 2012