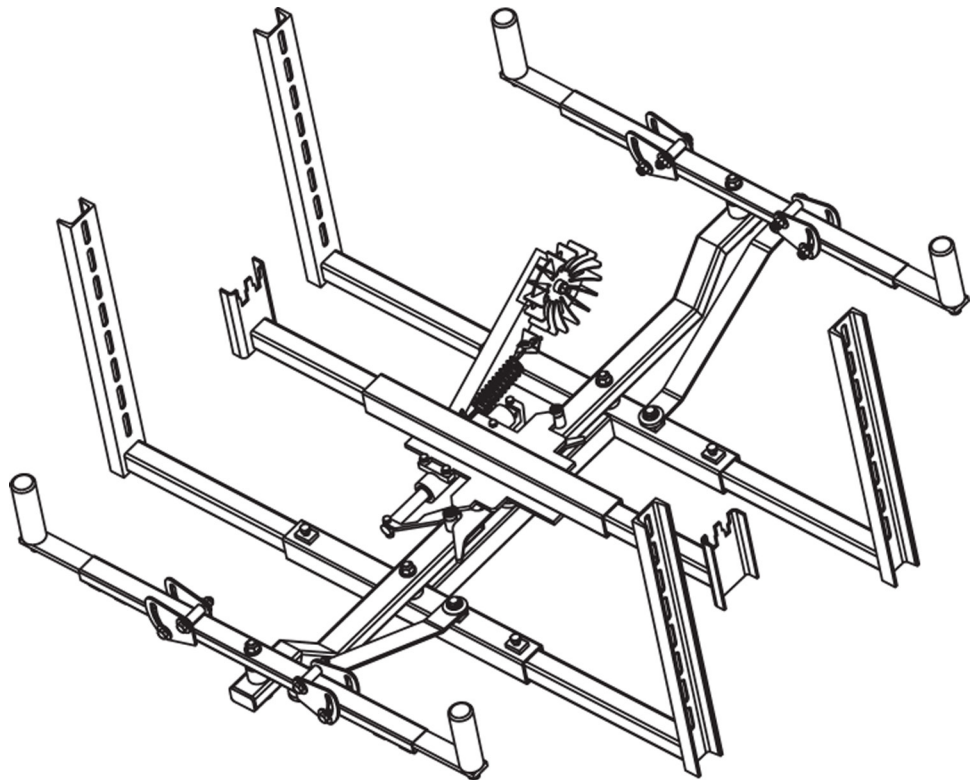


***martin***®

***Martin***®  
***Tracker™ Reversing***



***Operator's Manual***  
***M3446***

# Important

MARTIN ENGINEERING HEREBY DISCLAIMS ANY LIABILITY FOR: DAMAGE DUE TO CONTAMINATION OF THE MATERIAL; USER'S FAILURE TO INSPECT, MAINTAIN AND TAKE REASONABLE CARE OF THE EQUIPMENT; INJURIES OR DAMAGE RESULTING FROM USE OR APPLICATION OF THIS PRODUCT CONTRARY TO INSTRUCTIONS AND SPECIFICATIONS CONTAINED HEREIN. MARTIN ENGINEERING'S LIABILITY SHALL BE LIMITED TO REPAIR OR REPLACEMENT OF EQUIPMENT SHOWN TO BE DEFECTIVE.

Observe all safety rules given herein along with owner and Government standards and regulations. Know and understand lockout/tagout procedures as defined by American National Standards Institute (ANSI) z244.1-1982, *American National Standard for Personnel Protection - Lockout/Tagout of Energy Sources - Minimum Safety Requirements* and Occupational Safety and Health Administration (OSHA) Federal Register, Part IV, 29 CFR Part 1910, *Control of Hazardous Energy Source (Lockout/Tagout); Final Rule*.

The following symbols may be used in this manual:



**Danger:** Immediate hazards that will result in severe personal injury or death.



**Warning:** Hazards or unsafe practices that could result in personal injury.



**Caution:** Hazards or unsafe practices that could result in product or property damages.



**Important:** Instructions that must be followed to ensure proper installation/operation of equipment.



**Note:** General statements to assist the reader.

# Table of Contents

---

<b>Section</b>	<b>Page</b>
List of Figures .....	ii
Introduction .....	1
General .....	1
References .....	1
Safety .....	1
Materials required .....	1
Before Installing Belt Tracking System .....	2
Installing Belt Tracking System .....	3
Installing lower guide unit .....	3
Installing air cylinder controls .....	10
Installing upper guide unit .....	12
After Installing Belt Tracking System .....	19
Part Numbers .....	23
Appendix. Martin® Tracker™ Reversing Dimensions .....	A-1

## **List of Figures**

---

<b>Figure</b>	<b>Title</b>	<b>Page</b>
1 - 7	Installation Diagrams for Lower Guide Unit .....	3 - 9
8	Air Cylinder Controls .....	10
9	Air Cylinder Switching Mechanism .....	11
10 - 16	Installation Diagrams for Upper Guide Unit .....	12 - 18
17	Adjusting Wheel on Switching Mechanism .....	19
18	Adjusting Martin <sup>®</sup> Tracker <sup>™</sup> Reversing .....	21
19	Martin <sup>®</sup> Tracker <sup>™</sup> Reversing (Lower Unit), P/N 34694-LXR. ....	24,25
20	Martin <sup>®</sup> Tracker <sup>™</sup> Reversing (Lower Unit), P/N 34694-LXRA .....	26,27
21	Martin <sup>®</sup> Tracker <sup>™</sup> Reversing (Upper Unit), P/N 34695-UXR. ....	28,29
22	Martin <sup>®</sup> Tracker <sup>™</sup> Reversing Cylinder Control Assembly, P/N 39292-XXX .....	30,31
23	Conveyor Products Warning Label, P/N 23395 .....	32
24	Pinch Point Label, P/N 30528. ....	32

# Introduction

---

## ***General***

The Martin® Tracker™ Reversing automatically senses and continuously corrects belt tracking. A light touch of the belt against the guide rollers creates precision correction. The patented tie rod aligner translates the action of the steering bars to the training idlers. The switching mechanism senses the direction of the belt and mechanically engages the proper set of rollers to align reversing belts. The upper guide unit is used on the carrying side of the belt, and the lower guide unit is used on the return side.

## ***References***

The following documents are referenced in this manual:

- American National Standards Institute (ANSI) z244.1-1982, *American National Standard for Personnel Protection - Lockout/Tagout of Energy Sources - Minimum Safety Requirements*, American National Standards Institute, Inc., 1430 Broadway, New York, NY 10018.
- Federal Register, Volume 54, Number 169, Part IV, 29 CFR Part 1910, *Control of Hazardous Energy Source (Lockout/Tagout); Final Rule*, Department of Labor, Occupational Safety and Health Administration (OSHA), 32nd Floor, Room 3244, 230 South Dearborn Street, Chicago, IL 60604.

## ***Safety***

All safety rules defined in the above documents and all owner/employer safety rules must be strictly followed when working on this equipment.

## ***Materials required***

Only standard hand tools are required to install and service this equipment.

## Before Installing Belt Tracking System

---

### **IMPORTANT**

The delivery service is responsible for damage occurring in transit. Martin Engineering CANNOT enter claims for damages. Contact your transportation agent for more information.

1. Inspect shipping container for damage. Report damage to delivery service immediately and fill out delivery service's claim form. Keep any damaged goods subject to examination.
2. Remove Martin® Tracker™ Reversing from shipping container. Equipment in container should include the following:
  - Martin® Tracker™ Reversing (upper or lower guide unit).
  - Two Conveyor Products Warning Labels, P/N 23395.
  - Three Pinch Point Warning Labels, P/N 30528.
3. If anything is missing, contact Martin Engineering or a representative.
4. Make sure belt is centered on conveyor.



### **WARNING**

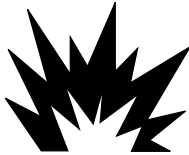
Before installing equipment, turn off and lock out/tag out energy source to conveyor and conveyor accessories.

5. Turn off and lock out/tag out energy source according to ANSI standards (see “References”).

### **WARNING**

If equipment will be installed in an enclosed area, gas level or dust content must be tested before using a cutting torch or welding. Using a cutting torch or welding in an area with gas or dust may cause an explosion.

6. If using a cutting torch or welding, test atmosphere for gas level or dust content. Cover conveyor belt with fire retardant cover.



# Installing Belt Tracking System

## Installing lower guide unit

### NOTE

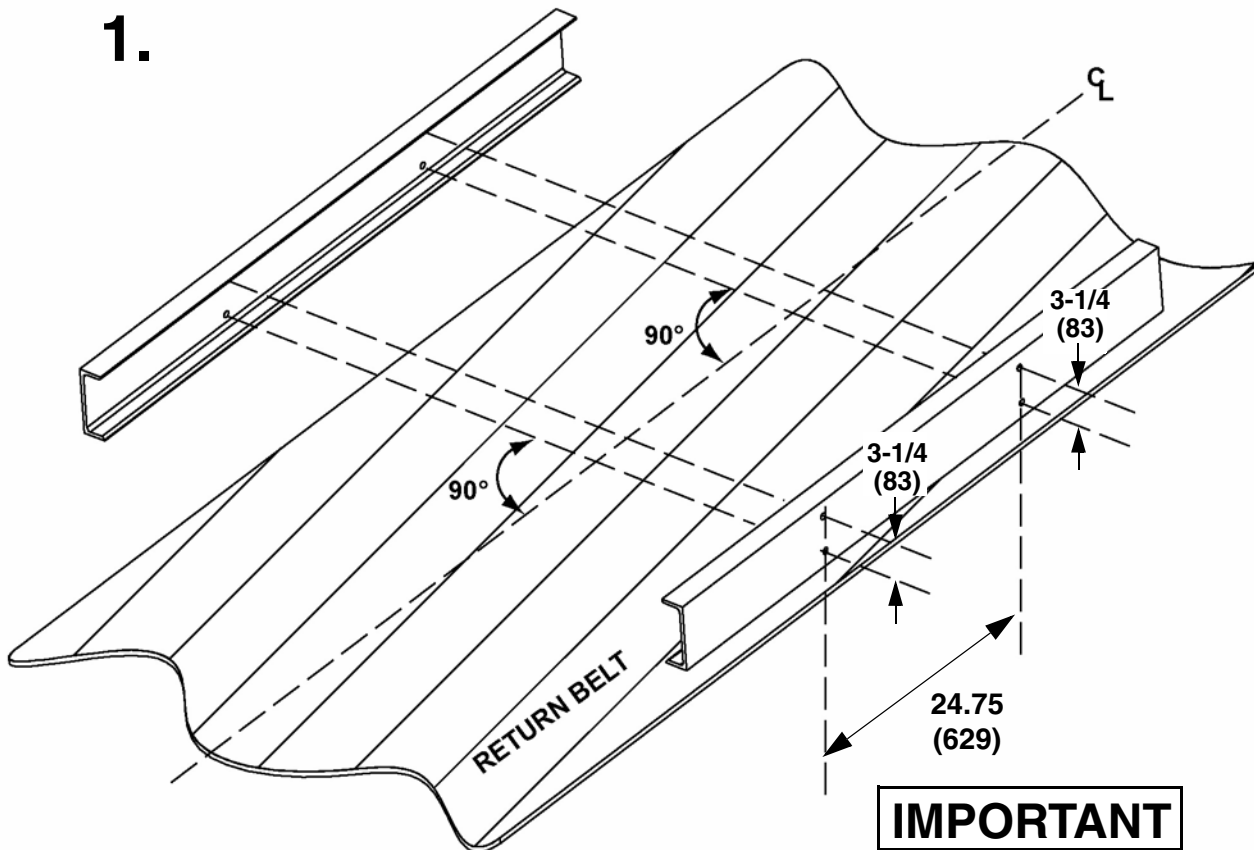
The following installation procedures show the installation of a Martin® Tracker™ Reversing with a standard switching mechanism. The Martin® Tracker™ Reversing is also available with an air cylinder controlled switching mechanism.

1. Locate lower guide unit approximately three times the belt width before the point where belt adjustment is needed or before any major pulley. If installing multiple units, allow 70 to 150 ft. (21 to 50 m) between units depending on the severity of mistracking.
2. Remove existing return idler. Set aside for later use.

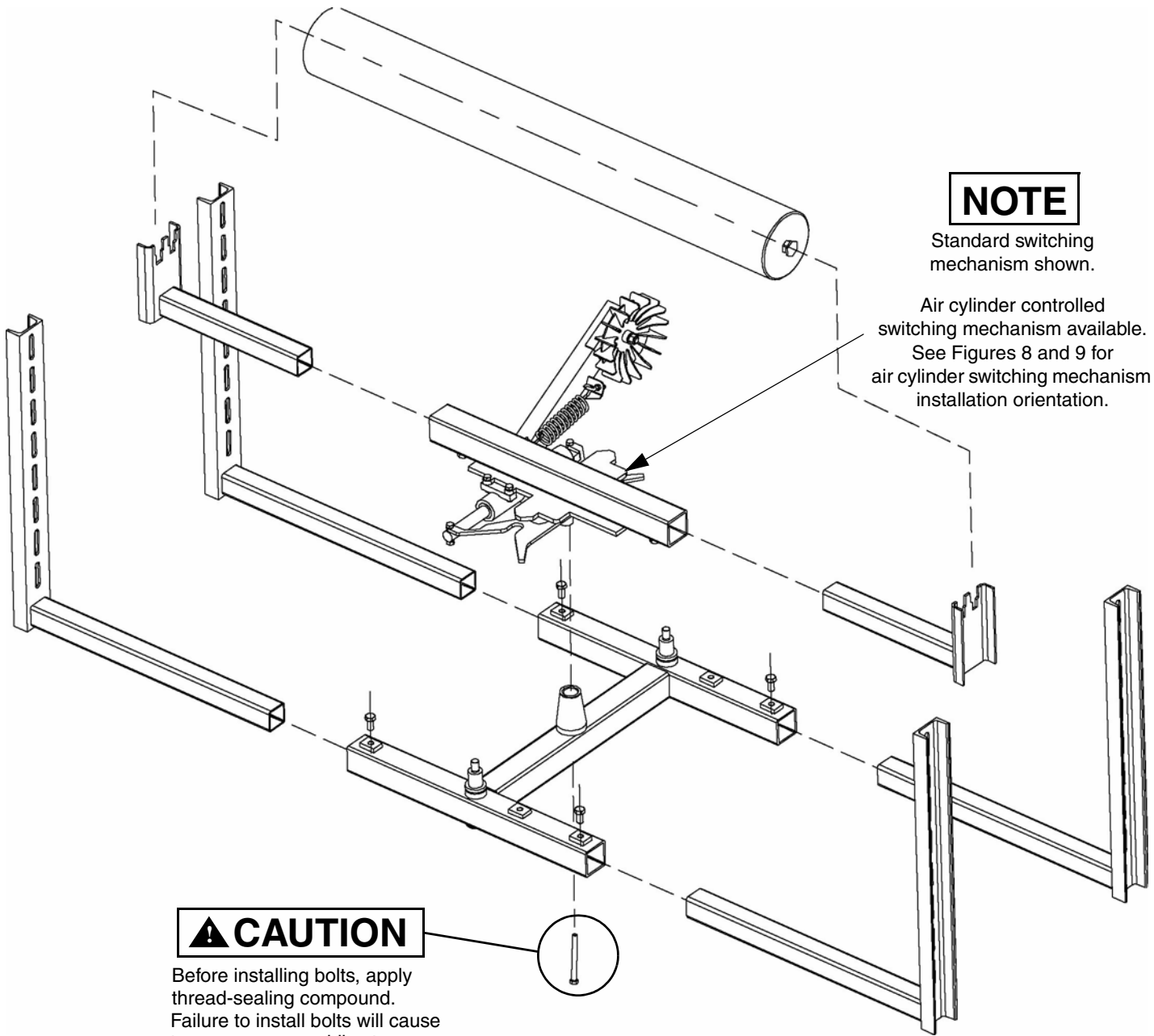
### IMPORTANT

For belts 24 to 54 in. (600 to 1600 mm) wide, min. 17 in. (430 mm) clearance between belt line and any obstruction below is required. For belts 60 to 84 in. (1800 to 2400 mm) wide, min. 24 in. (610 mm) clearance between belt line and any obstruction below is required. Contact Martin Engineering for installation instructions for clearances less than those specified above.

3. Install lower guide unit as shown in Figures 1 through 7.



2.



**NOTE**

Standard switching mechanism shown.

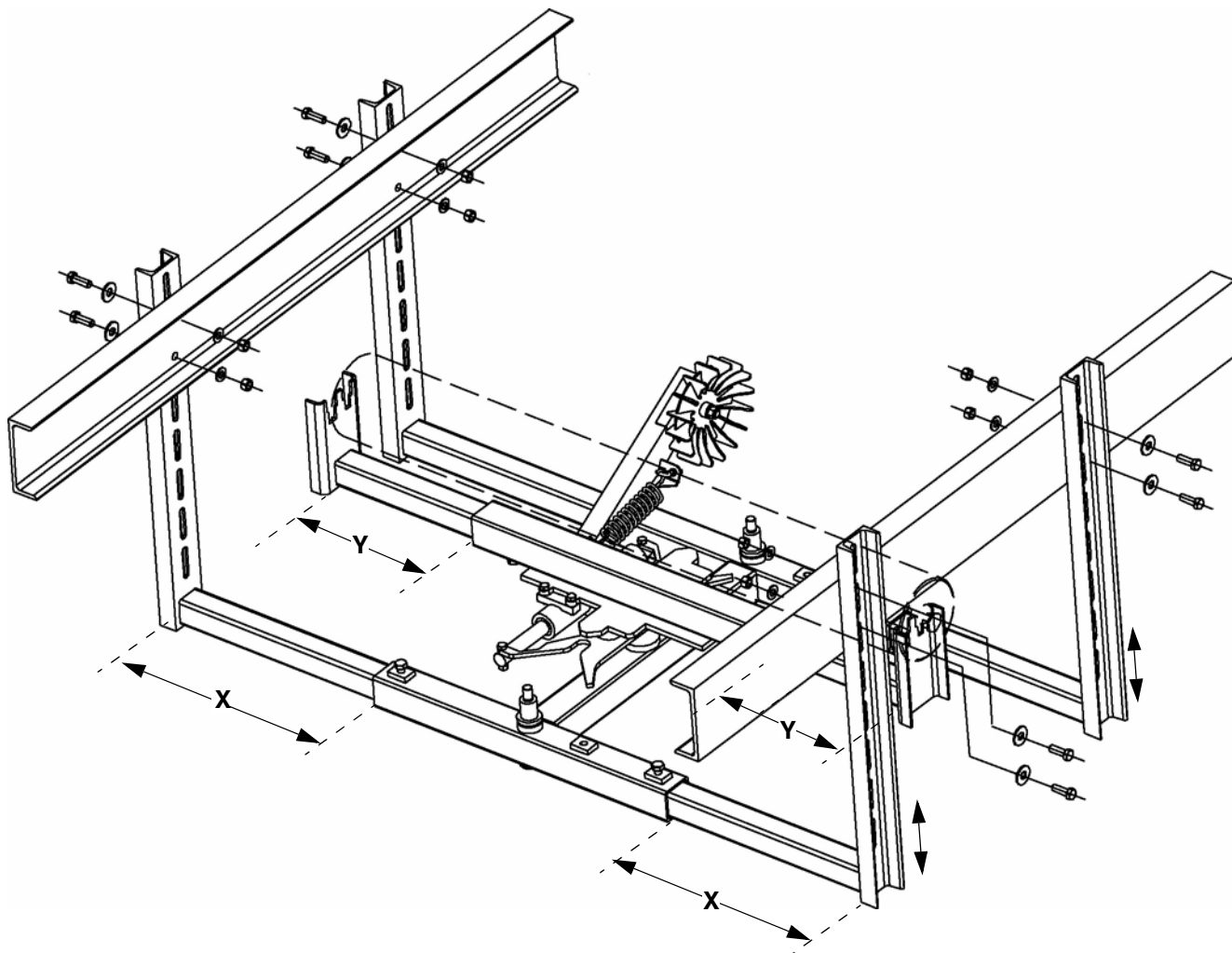
Air cylinder controlled switching mechanism available. See Figures 8 and 9 for air cylinder switching mechanism installation orientation.

**CAUTION**

Before installing bolts, apply thread-sealing compound. Failure to install bolts will cause torque arm assemblies to come loose, causing damage to unit or conveyor belt.



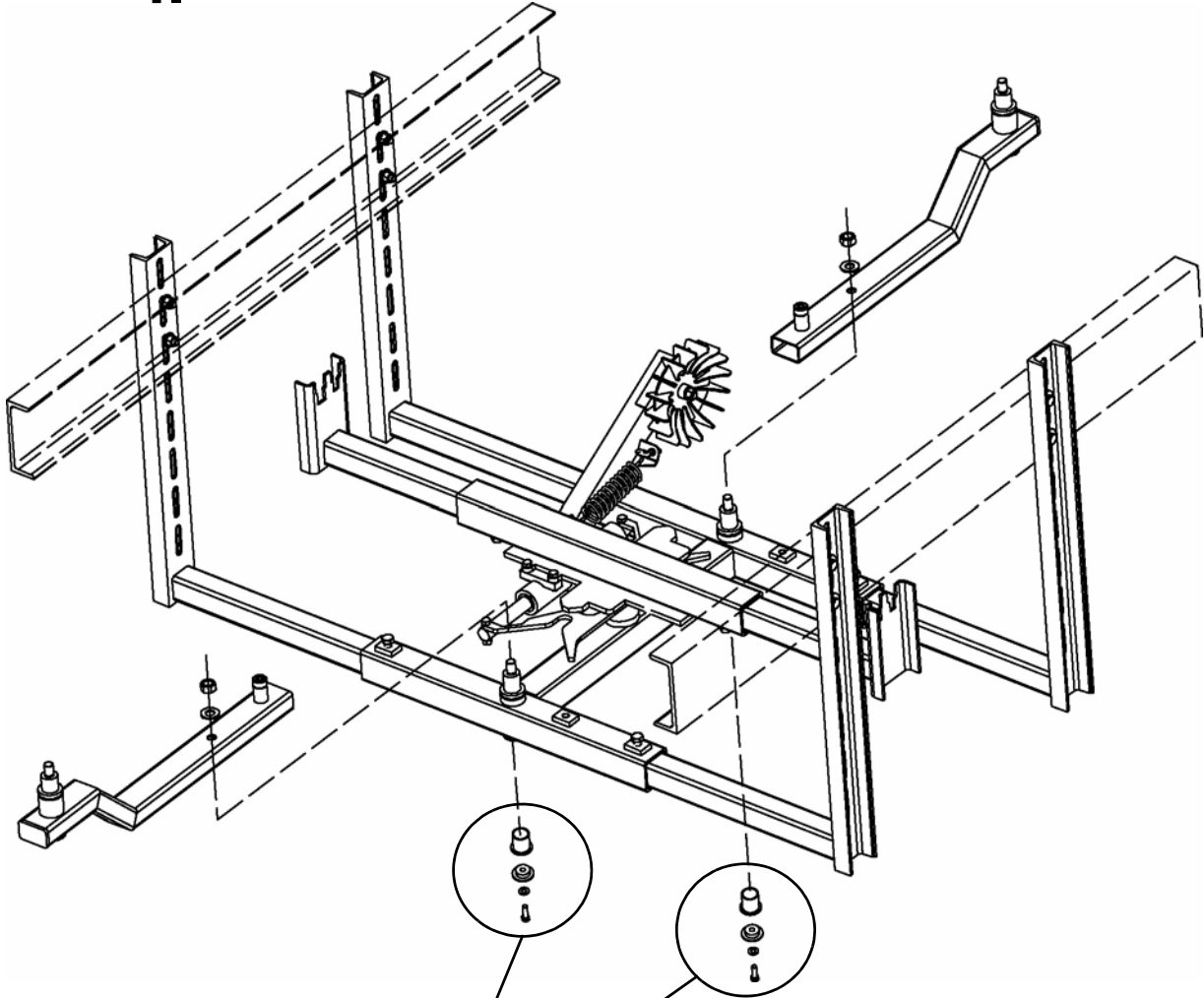
3.



**IMPORTANT**

Adjust channel brackets so return idler firmly contacts belt. Fine tune position of unit by sliding it up or down before tightening hardware.

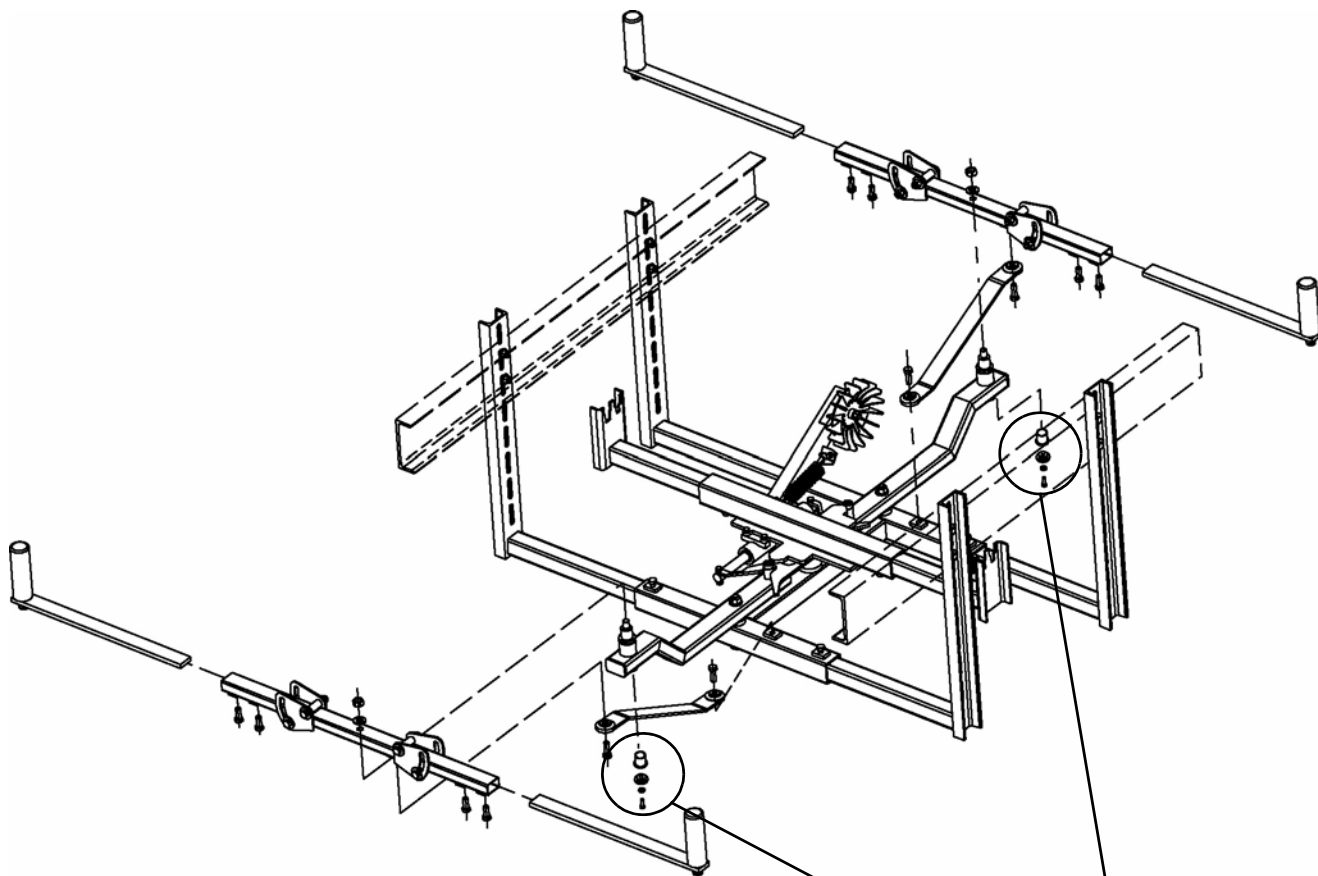
4.



**▲ CAUTION**

Before installing bolts, apply thread-sealing compound. Failure to install bolts will cause torque arm assemblies to come loose, causing damage to unit or conveyor belt.

5.



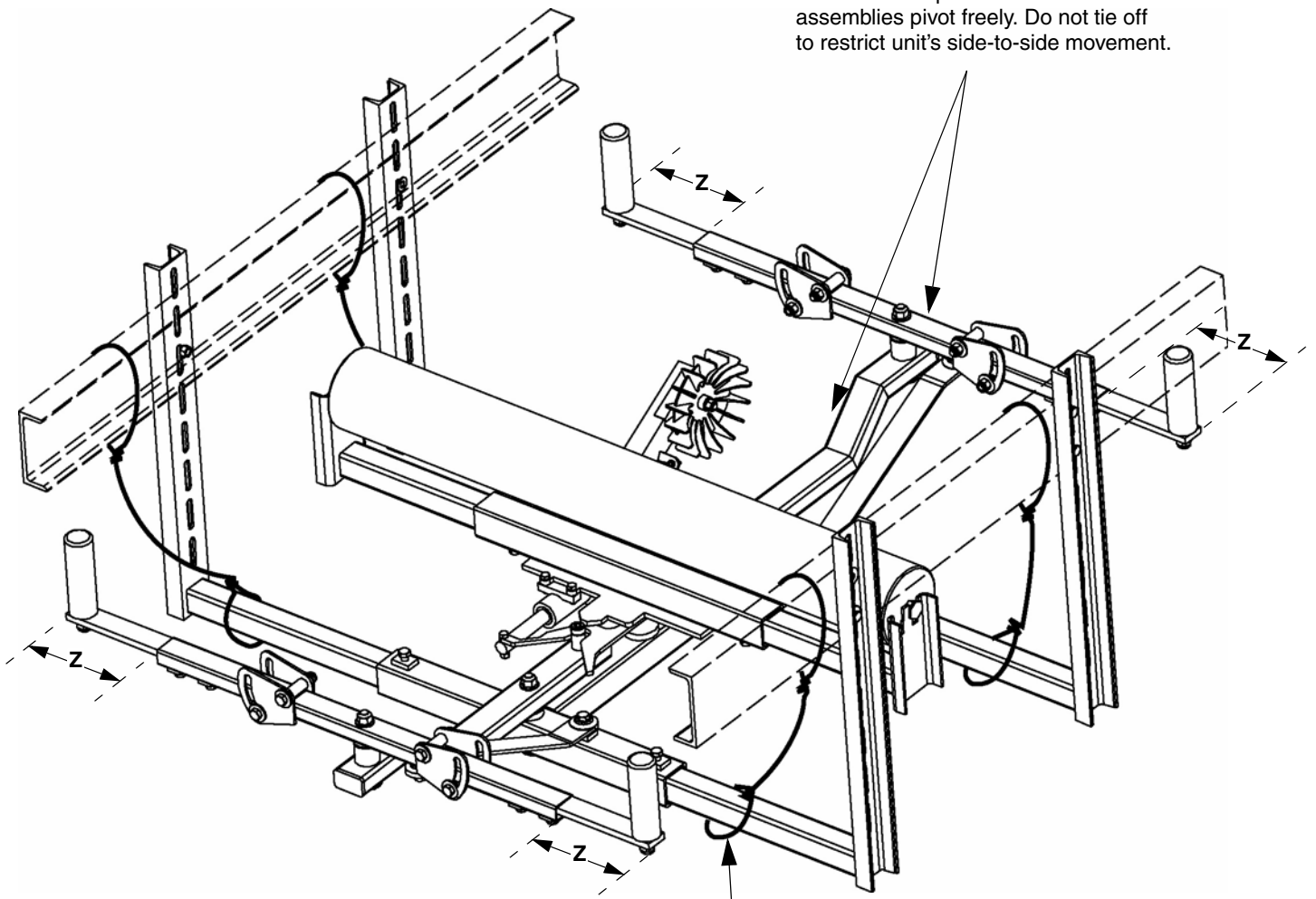
**CAUTION**

Before installing bolts, apply thread-sealing compound. Failure to install bolts will cause upper guide roll assemblies to come loose, causing damage to unit or conveyor belt.

6.

**CAUTION**

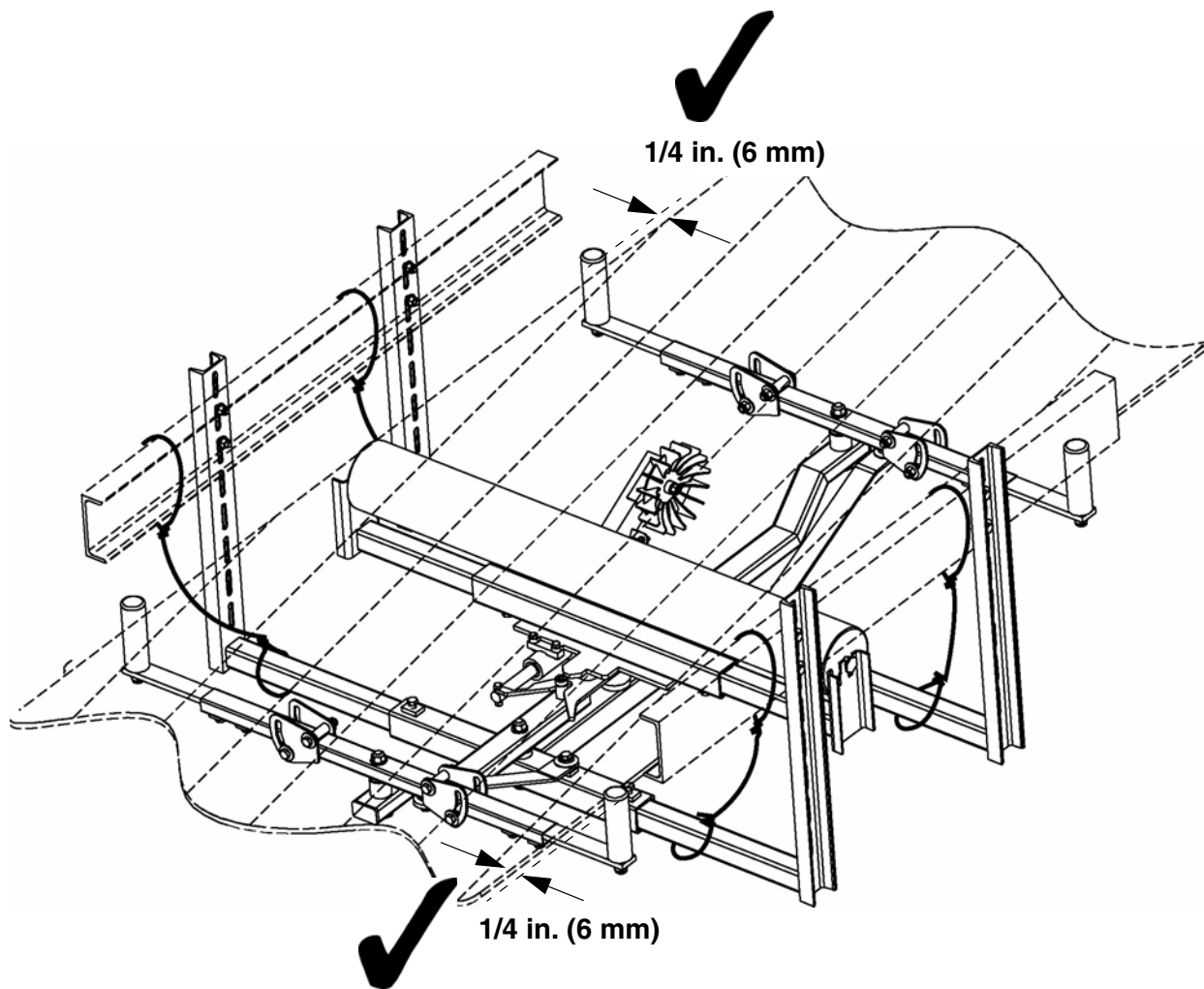
Make sure torque arm and cradle assemblies pivot freely. Do not tie off to restrict unit's side-to-side movement.



**WARNING**

If installed overhead, secure unit to stringer with safety cables.

7.



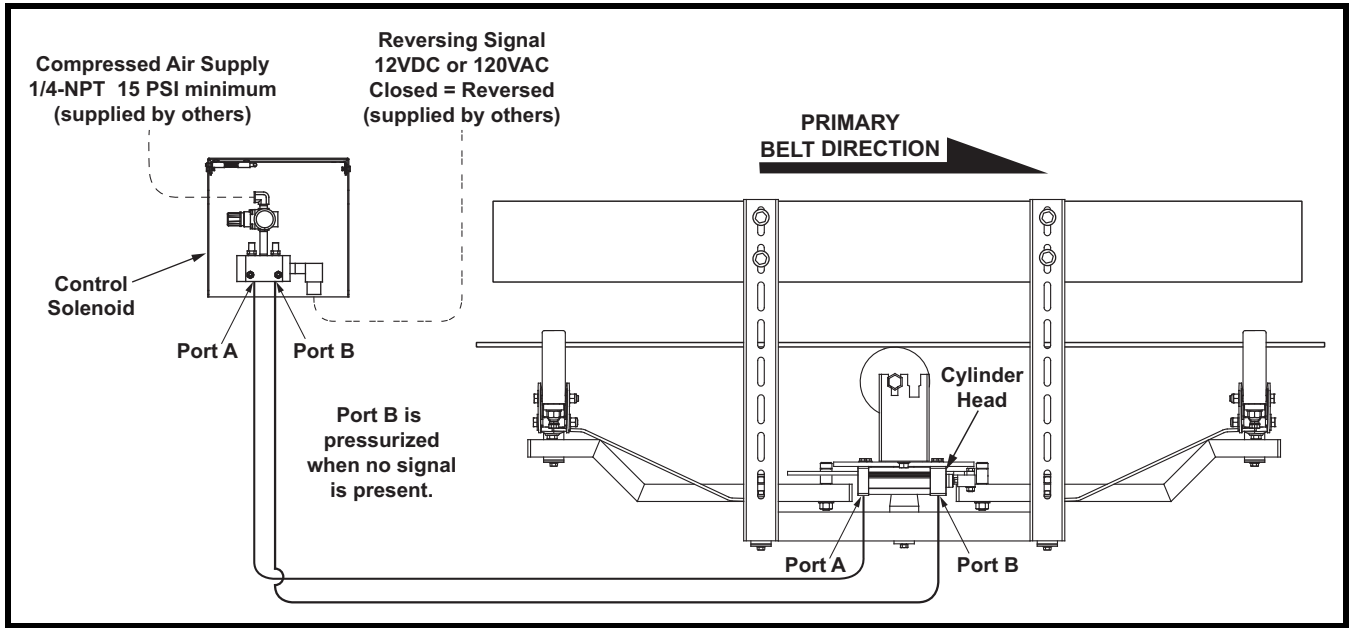


Figure 8. Air Cylinder Controls

*Installing air cylinder controls*

**WARNING**

All electrical work must be done to National Electrical Code (NEC) standards.

**CAUTION**

Do not mount control solenoid in area subject to shock, vibration, temperatures exceeding 130°F (55°C), or explosion.

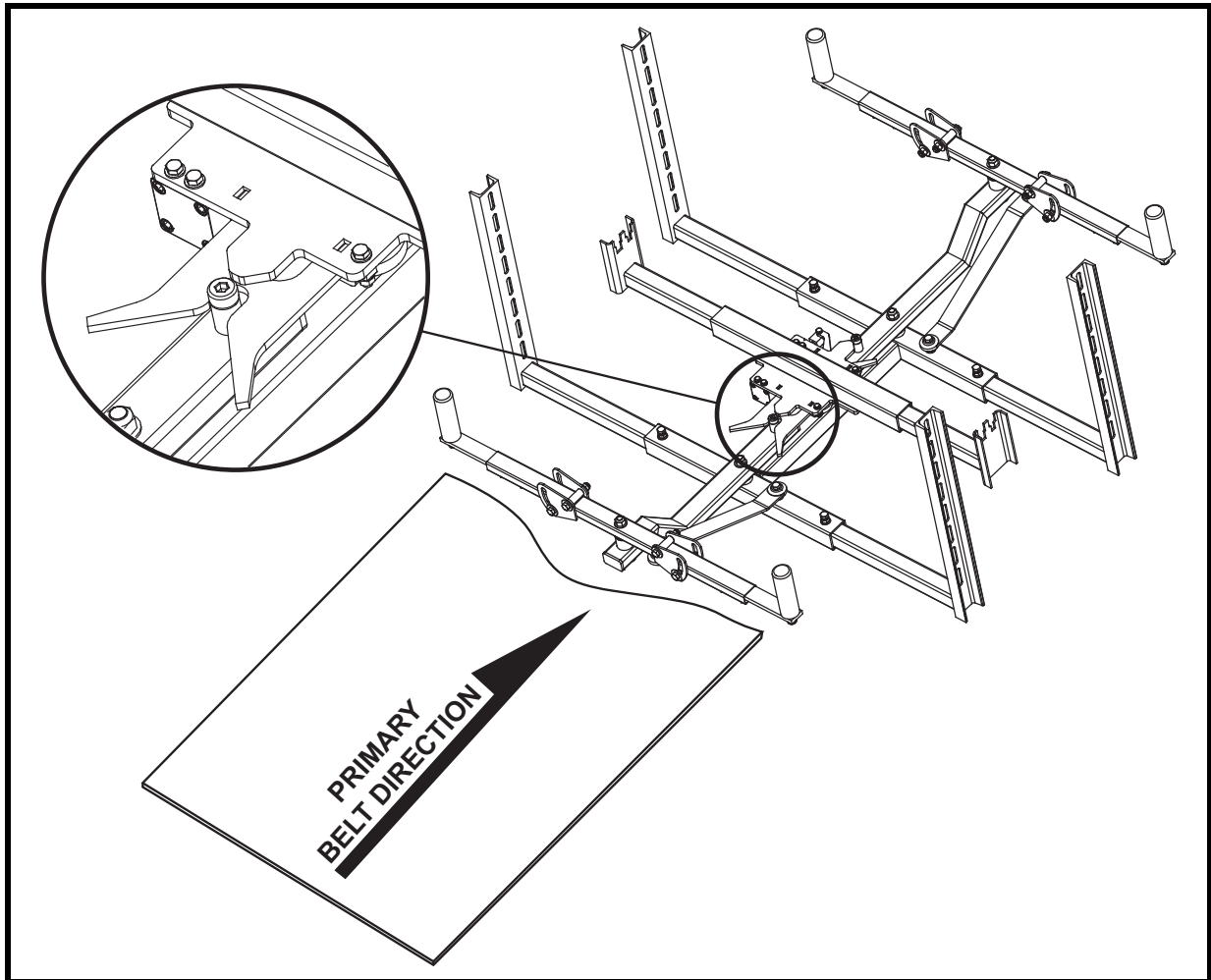
1. Determine location for control solenoid and mount onto wall with fasteners.
2. Using electrical connectors, route wires from solenoid valve to direction monitoring hardware.
3. Wire solenoid so circuit will close when conveyor changes direction.

**IMPORTANT**

Martin Engineering recommends installing an air filter in the air supply line.

4. Install air supply line to control solenoid as shown in Figure 8.
5. Route two air lines from control solenoid to air cylinder.
6. Install elbows into ports on air cylinder.
7. Connect one air line to port A on solenoid valve and port A on air cylinder.
8. Connect other air line to port B on solenoid valve and port B on air cylinder.

9. Make sure air lines are not subject to wear or pinching. Anchor lines to prevent movement.
10. Apply air pressure to control solenoid.



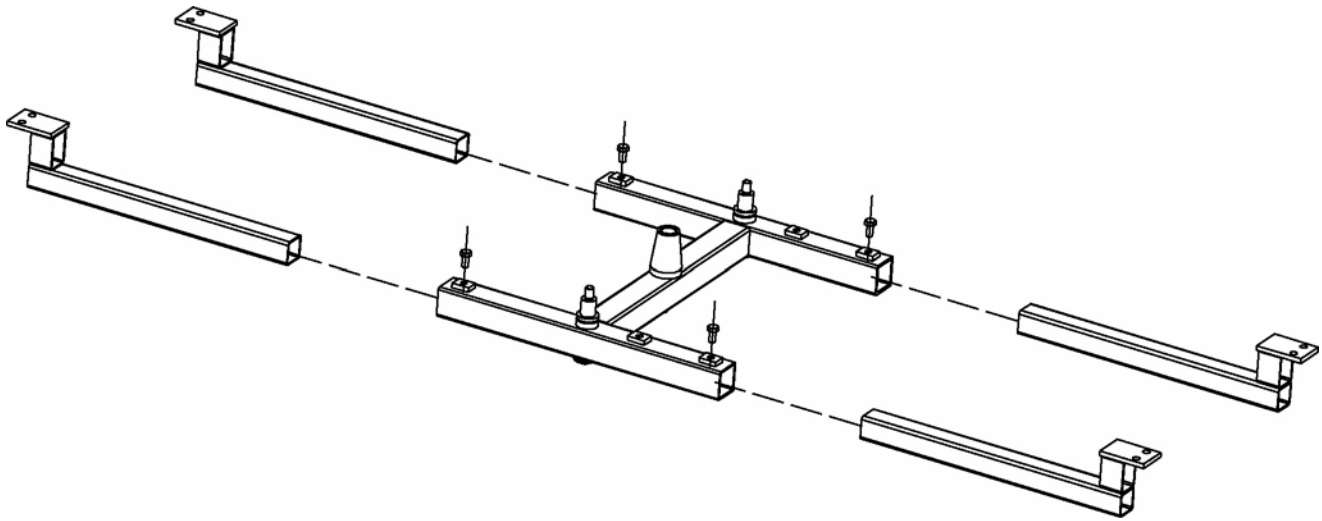
**Figure 9. Air Cylinder Switching Mechanism Orientation**

11. Air cylinder switching mechanism should be installed so the cylinder is retracted and double v-latch near the cylinder cap end is engaged when the conveyor belt is rotating in its primary direction.
12. If double v-latch is not engaged on the correct side:
  - a. Switch air lines between ports A and B on cylinder.
13. If cylinder is extended when the belt is traveling in its primary direction:
  - a. Remove switching mechanism assembly.
  - b. Rotate mechanism 180 degrees.
  - c. Reinstall switching mechanism assembly.

## *Installing upper guide unit*

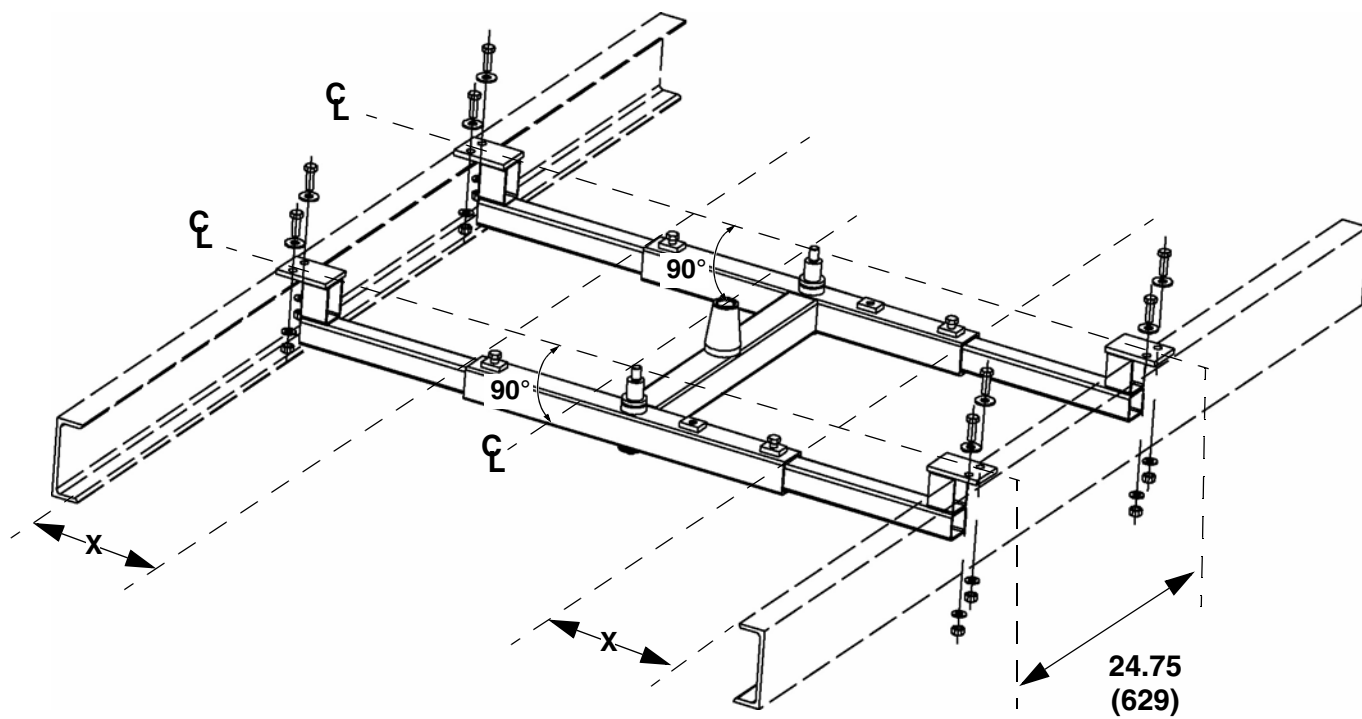
1. Locate upper guide unit beyond the loading point or three to four times the belt width before the point where belt needs adjustment. If installing multiple units, allow 70 to 150 ft. (21 to 50 m) between units depending on the severity of mistracking.
2. Remove existing troughing idler. Set aside for later use.
3. Install upper guide unit as shown in Figures 10 through 16.

### 10.



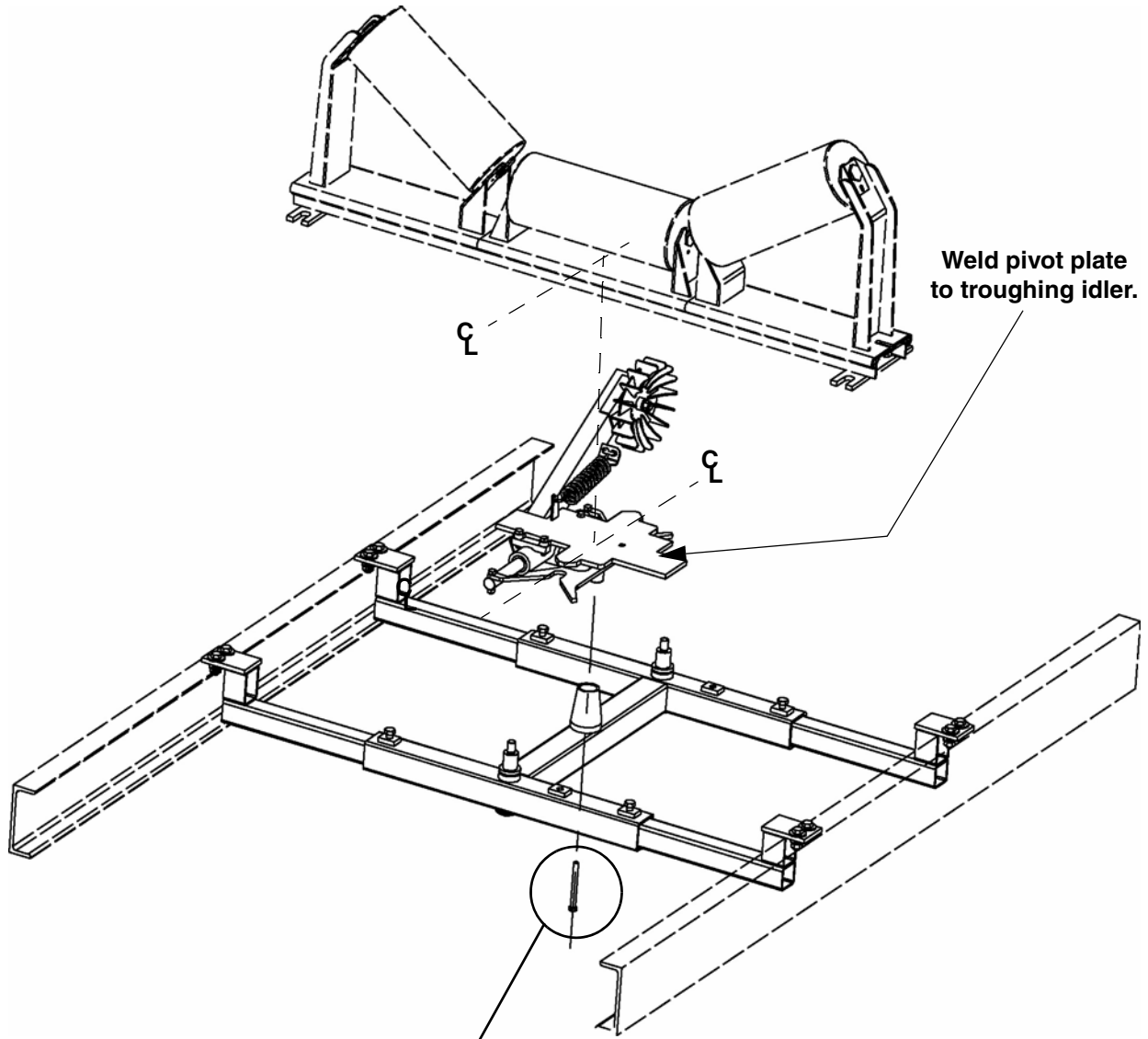


11.



**IMPORTANT**

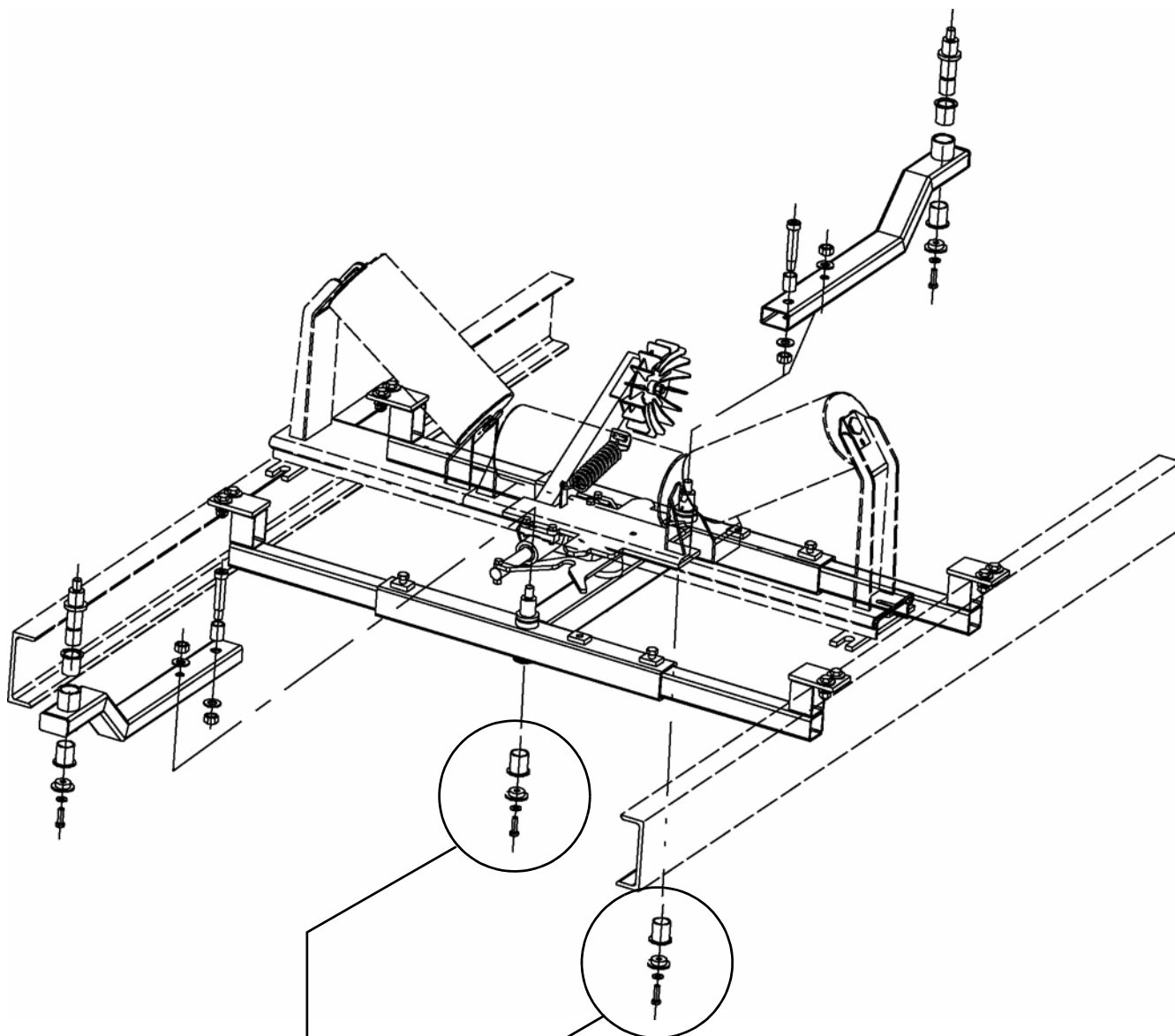
# 12.



**⚠ CAUTION**

Before installing bolts, apply thread-sealing compound. Failure to install bolts will cause torque arm assemblies to come loose, causing damage to unit or conveyor belt.

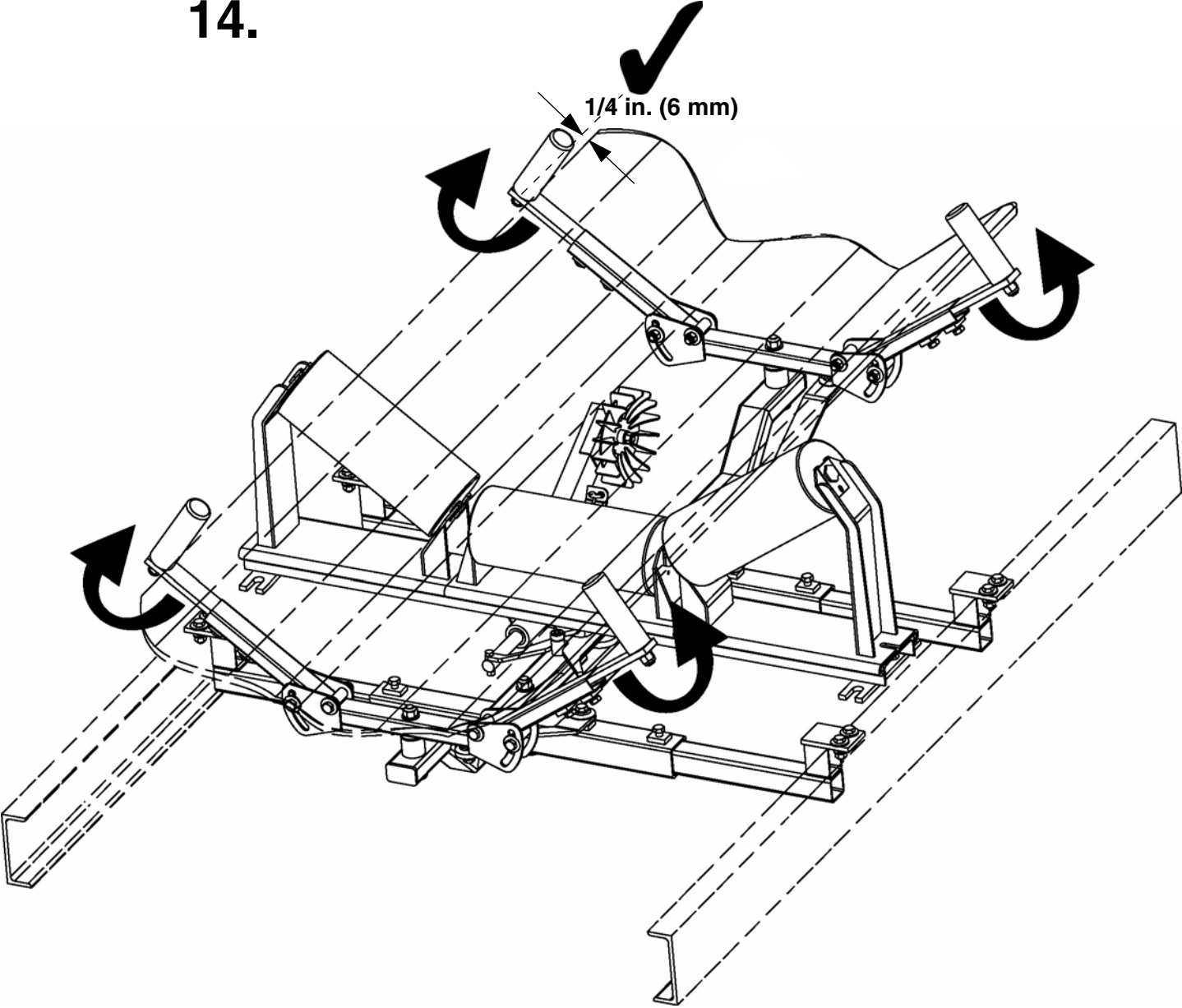
# 13.



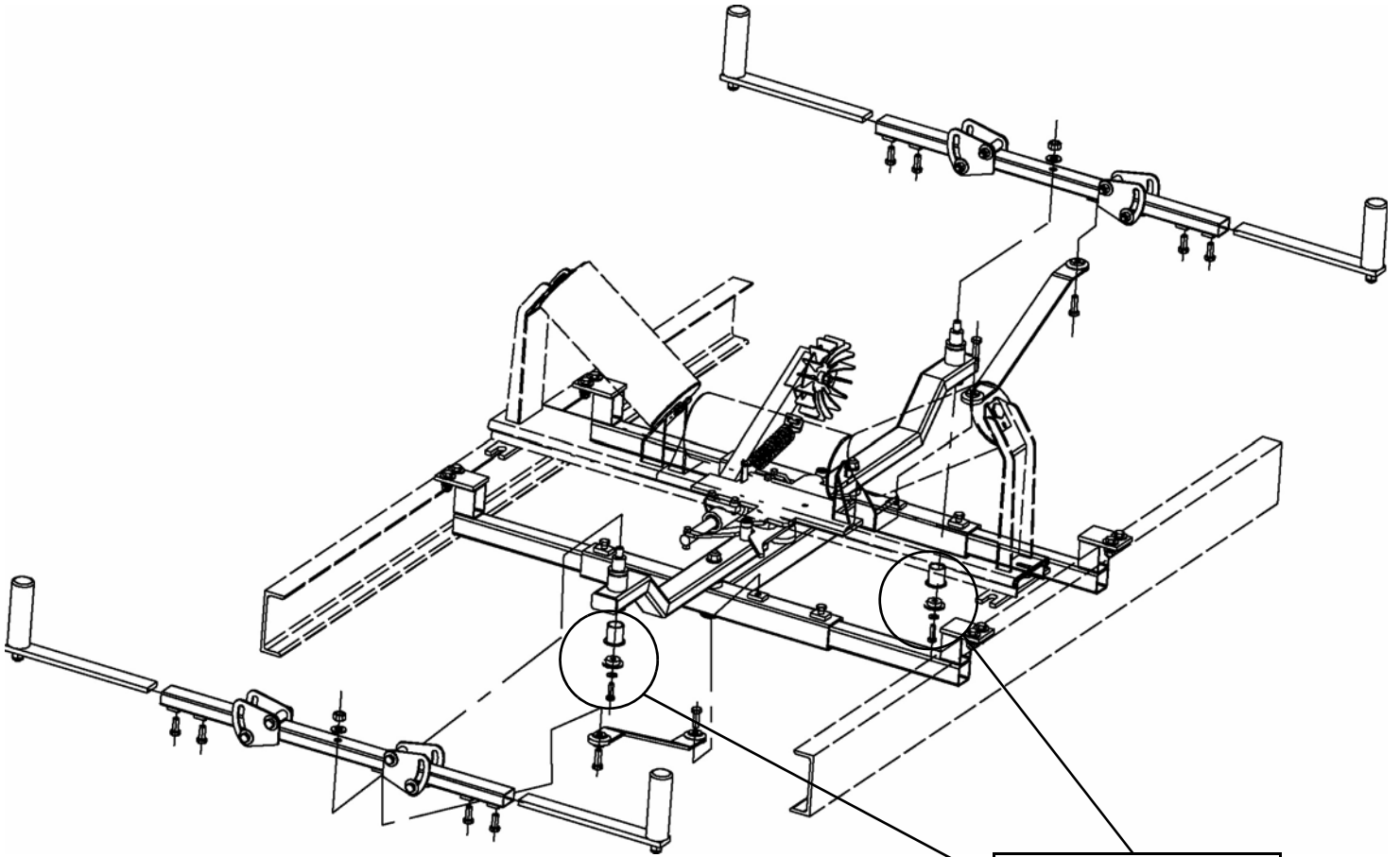
**⚠ CAUTION**

Before installing bolts, apply thread-sealing compound. Failure to install bolts will cause torque arm assemblies to come loose, causing damage to unit or conveyor belt.

14.



15.



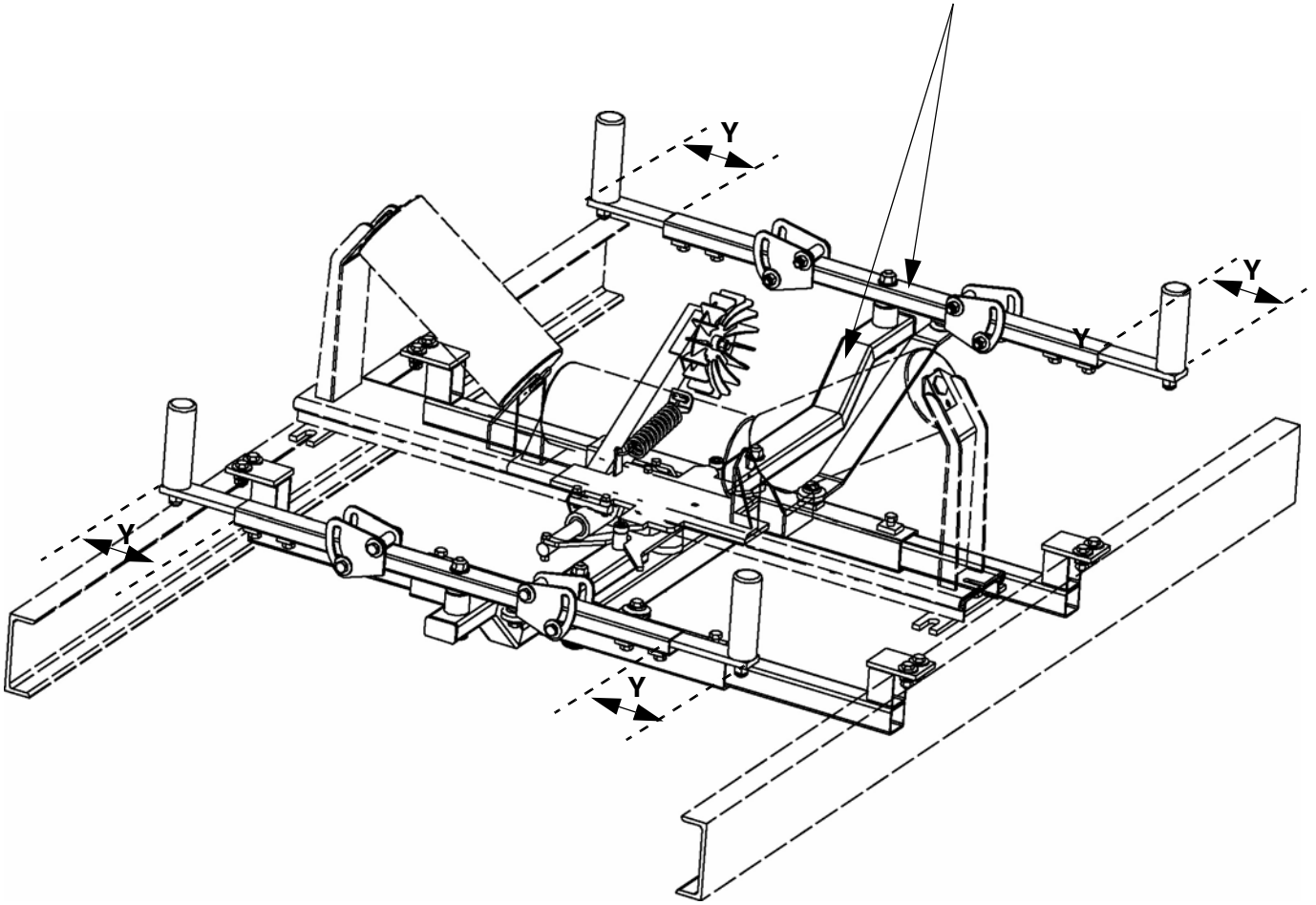
**▲ CAUTION**

Before installing bolts, apply thread-sealing compound. Failure to install bolts will cause upper guide roll assemblies to come loose, causing damage to unit or conveyor belt.

16.

**CAUTION**

Make sure torque arm and cradle assemblies pivot freely. Do not tie off to restrict unit's side-to-side movement.



# After Installing Belt Tracking System

## IMPORTANT

Read entire section before beginning work.

## CAUTION

Martin Engineering recommends installing run-off sensors on conveyor. If switching mechanism fails, belt could be damaged.

1. Thoroughly wipe chute or stringers clean above Martin® Tracker™ Reversing on both sides of belt. Place Conveyor Products Warning Labels (P/N 23395) on chute or stringers visible to Martin® Tracker™ Reversing operator.
2. Make sure wheel on switching mechanism is not lifting conveyor belt off idler. If it is, adjust nut on eye bolt to lower wheel as follows:
  - a. See Figure 17. Loosen nut to lower wheel away from belt.
  - b. Tighten jam nut to set spring in place.

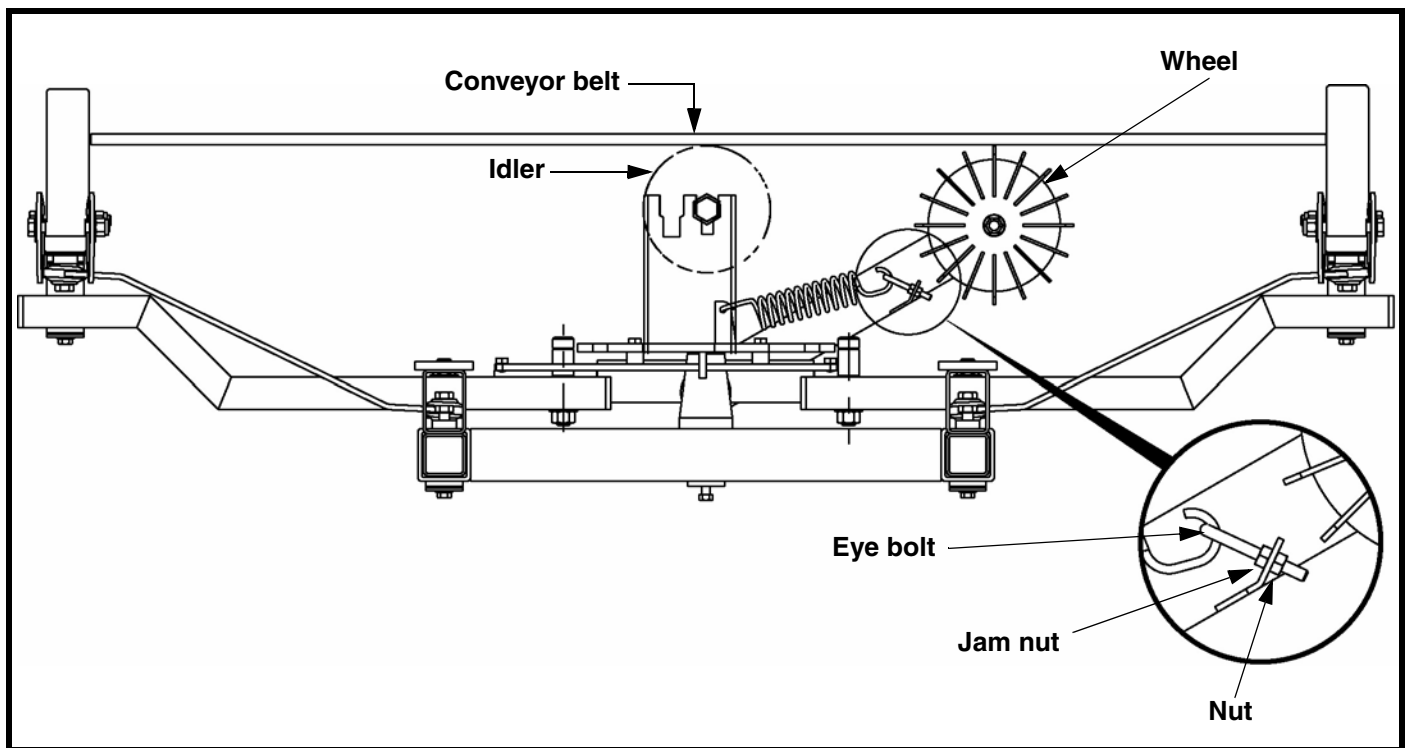
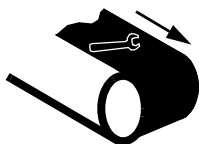


Figure 17. Adjusting Wheel on Switching Mechanism

## WARNING

Failure to remove tools from installation area and conveyor belt before turning on energy source can cause serious injury to personnel and damage to belt.



3. Remove all tools and fire retardant cover from installation area and conveyor belt.



**⚠ DANGER**

Do not touch or go near conveyor belt or conveyor accessories when conveyor belt is running. Body or clothing can get caught and pull body into conveyor belt, causing severe injury or death.

**⚠ WARNING**

Keep fingers away from spinning paddle wheel.

4. Turn on conveyor belt and observe belt tracking.



**⚠ WARNING**

Before adjusting Martin® Tracker™ Reversing, turn off and lock out/tag out energy source to conveyor and conveyor accessories.

5. Allow belt to run through at least ten revolutions in one direction. Reverse direction of belt and run through at least ten revolutions in the opposite direction. Then turn off and lock out/tag out energy source according to ANSI standards (see “References”).
6. Make sure all fasteners are tight. Tighten if necessary.
7. See Figure 18. If necessary, adjust cross section (A) to fine tune belt tracking:
  - a. Loosen set screws (B) securing cross section on telescopic tubes (C).
  - b. Slide cross section on telescopic tubes in the direction belt needs to move as necessary for proper adjustment of cradle assembly (D) and idler (E). (Parallel stay (F) will move cradle assembly.)



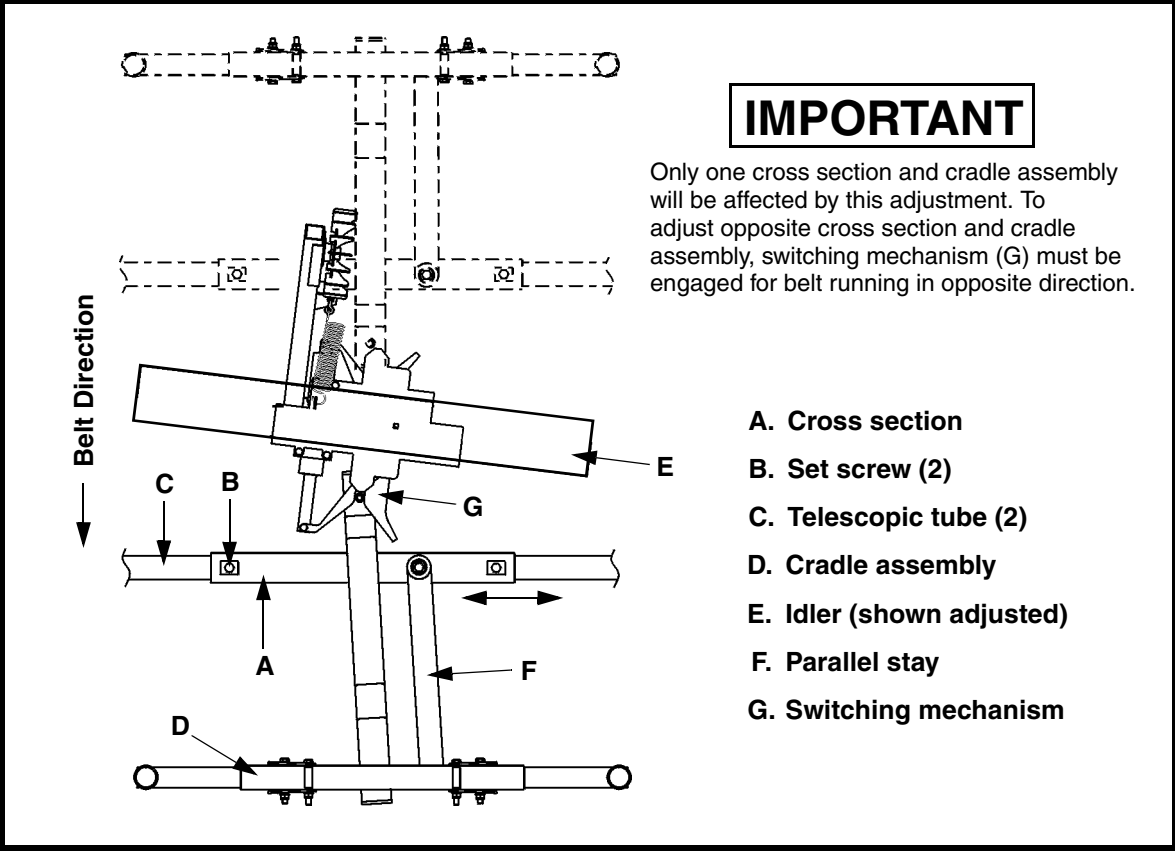


Figure 18. Adjusting Martin® Tracker™ Reversing

## Notes

## Part Numbers

---

This section provides part numbers for the Martin® Tracker™ Reversing. Please reference part numbers when ordering parts.

### *Martin® Tracker™ Reversing Assemblies*

**Lower Unit Assemblies:** See Figure 19.

24 to 36-in. (600 to 950-mm) belts: P/N 34694-L1R.

42 to 54-in. (1000 to 1400-mm) belts: P/N 34694-L2R.

60 to 72-in. (1400 to 1800-mm) belts: P/N 34694-L3R.

84-in. (1800 to 2200-mm) belts: P/N 34694-L4R.

**Lower Unit Assemblies with Air Cylinder:** See Figure 20.

24 to 36-in. (600 to 950-mm) belts: P/N 34694-L1RA.

42 to 54-in. (1000 to 1400-mm) belts: P/N 34694-L2RA.

60 to 72-in. (1400 to 1800-mm) belts: P/N 34694-L3RA.

84-in. (1800 to 2200-mm) belts: P/N 34694-L4RA.

**Upper Unit Assemblies:** See Figure 21.

24 to 36-in. (600 to 950-mm) belts: P/N 34695-U1R.

42 to 54-in. (1000 to 1400-mm) belts: P/N 34695-U2R.

60 to 72-in. (1400 to 1800-mm) belts: P/N 34695-U3R.

84-in. (1800 to 2200-mm) belts: P/N 34695-U4R.

**Air Cylinder Control Assembly:** P/N 39292-XXX. See Figure 22.

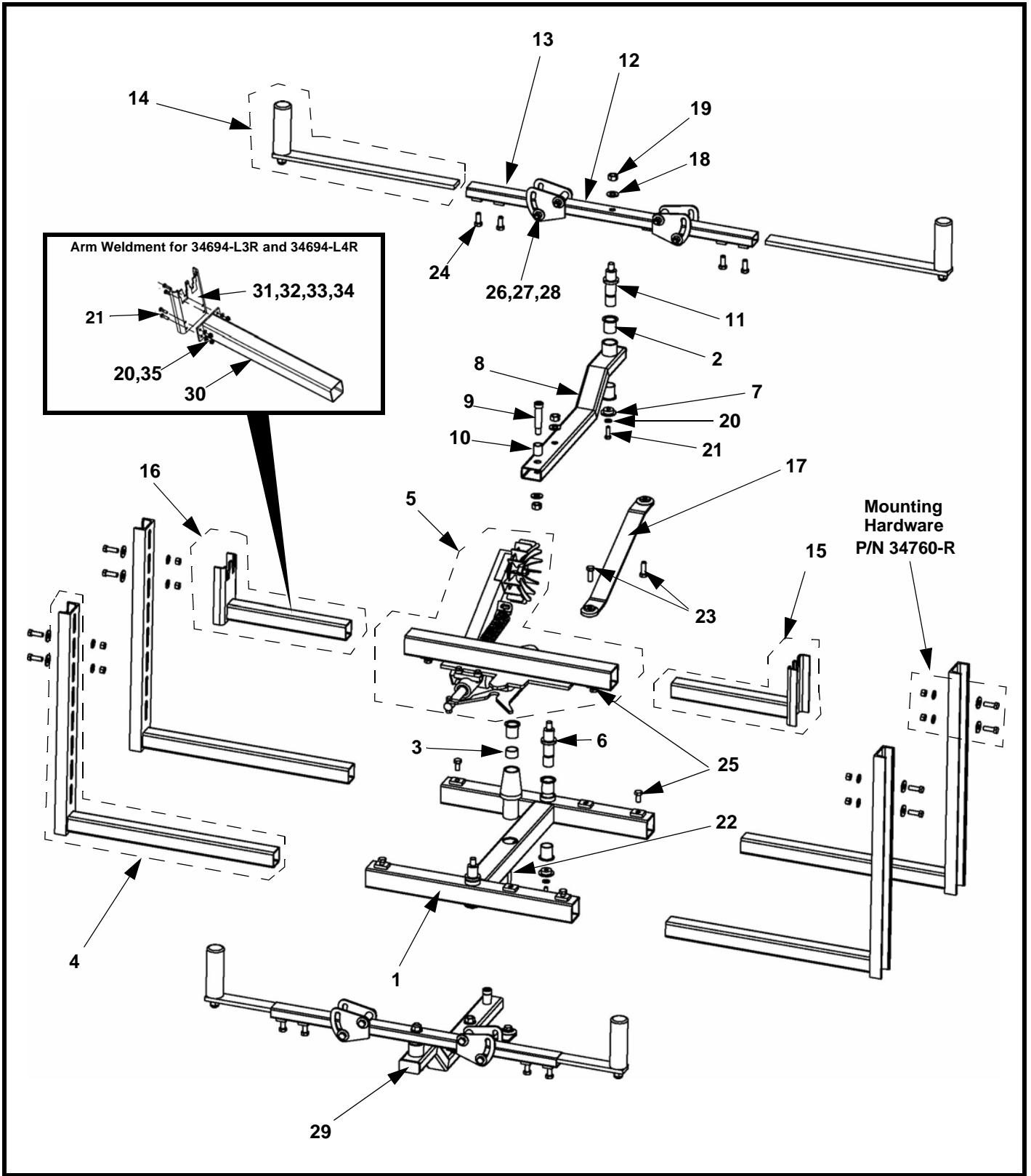


Figure 19. Martin® Tracker™ Reversing (Lower Unit), P/N 34694-LXR\* (Sheet 1 of 2)

Part Number 34694-		L1R / L2R		L3R / L4R	
Item	Description	Part No.	Qty	Part No.	Qty
1	H-Frame Weldment	38075-00	1	38075-01	1
2	Bearing Flanged	37467	9	37467	8
3	Bearing Straight	38080	1	35869	1
4	Telescoping Tube Weldment	34743-01 / 34743-02	4	34743-04 / 34743-05	4
*5	Switching Mechanism Assembly	35661-00	1	35661-01	1
6	Swing Torque Shaft	37414-05	2	37414-03	4
7	Bearing Holder Cap	36939	4	36939	4
8	Arm Torque Weldment	34733-00UR	2	34733-01UR	2
9	Screw Shoulder 3/4 x 2-3/4	37267	2	37267	2
10	Torque Arm Bushing	37268	2	37268	2
11	Swing Torque Shaft	37414-02	2	37414-03	4
12	Cradle Weldment	38081-00	2	38081-01	2
13	Cradle Wing Tube Weldment	37458-02 / 37466	4	37283-01	4
14	Arm Guide Roll Assembly	35205-06 / 35205-02	4	35205-03 / 35205-04	4
15	Telescoping Idler Tube Weldment (Right)	34745-01R / 34745-02R	1		
16	Telescoping Idler Tube Weldment (Left)	34745-01L / 34745-02L	1		
17	Stay Parallel Weldment	35207-UR	2	35207-01UR	2
18	Washer Compression 5/8	11752	6	11752	6
19	Hex Nut 5/8-11NC ZP	11772	6	11772	6
20	Washer Compression 3/8	11747	4	11747	12
21	Screw HHC 3/8-16NC x 1-1/4 ZP	12215	4	12215	12
*22	Screw HHC 3/8-16NC	38088	1	16098	1
23	Screw HHC 1/2-13NC x 1-1/2 ZP	11763	4		
	Screw HHC 3/4-10NC x 1-1/2 ZP			26262	4
24	Screw HHC 1/2-13NC x 1-1/4 ZP	13835	2/4	13835	8
25	Screw HHC 1/2-13NC X 1 ZP	13842	6	13842	12
26	Flat Washer 1/2 wide ZP	17328	16	17328	16
27	Screw HHC 1/2-13NC x 3-1/2 ZP	M921	8	M921	8
28	Hex Nut Elastic Lock 1/2-13NC ZP	18577	8	18577	8
29	Plug for Tube	34714	4	35322	4
30	Telescoping Idler Tube Weldment			38031-H2 / 38031-H3	2
31	Telescoping Idler Tube Upright			38029-01RP	1
32	Telescoping Idler Tube Upright			38029-01LP	1
33	Telescoping Idler Tube Upright			38029-00RP	1
34	Telescoping Idler Tube Upright			38029-00LP	1
35	Hex Nut Elastic Lock 3/8-16NC ZP			14201	8
36	Bearing Flanged			35870	1

**Figure 19. Martin® Tracker™ Reversing (Lower Unit), P/N 34694-LXR\* (Sheet 2 of 2)**

\* If ordering item 5, purchase 22 also.

Not Shown: Operators Manual (P/N M3446); Label Kit (P/N 34772-R); LOCTITE® Capsule (P/N 35433).

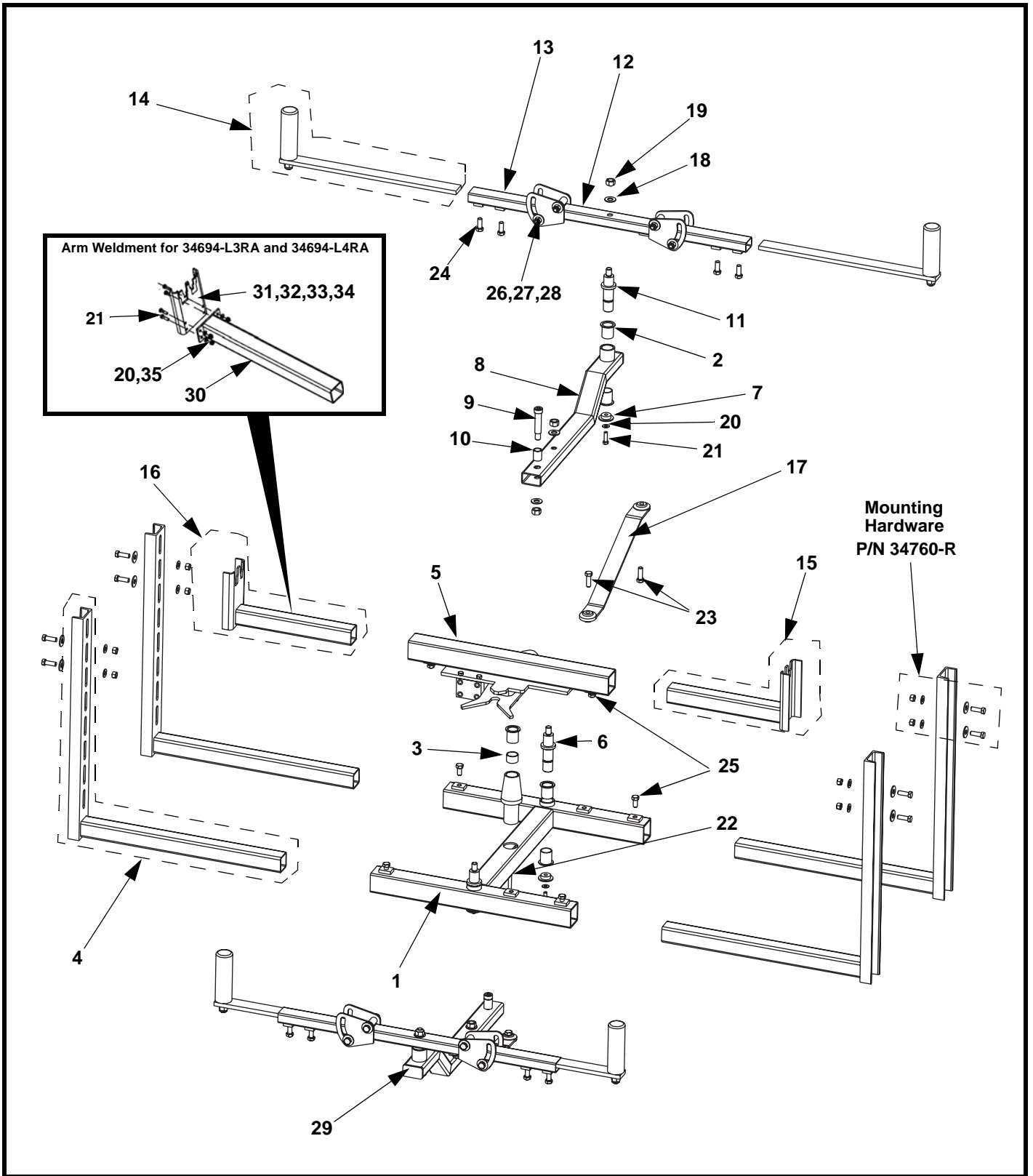


Figure 20. Martin® Tracker™ Reversing (Lower Unit), P/N 34694-LXRA\* (Sheet 1 of 2)

Part Number 34694-		L1RA / L2RA		L3RA / L4RA	
Item	Description	Part No.	Qty	Part No.	Qty
1	H-Frame Weldment	38075-00	1	38075-01	1
2	Bearing Flanged	37467	9	37467	8
3	Bearing Straight	38080	1	35869	1
4	Telescoping Tube Weldment	34743-01 / 34743-02	4	34743-04 / 34743-05	4
*5	Switching Mechanism Assembly	35661-00A	1	35661-01A	1
6	Swing Torque Shaft	37414-05	2	37414-03	4
7	Bearing Holder Cap	36939	4	36939	4
8	Arm Torque Weldment	34733-00UR	2	34733-01UR	2
9	Screw Shoulder 3/4 x 2-3/4	37267	2	37267	2
10	Torque Arm Bushing	37268	2	37268	2
11	Swing Torque Shaft	37414-02	2	37414-03	4
12	Cradle Weldment	38081-00	2	38081-01	2
13	Cradle Wing Tube Weldment	37458-02 / 37466	4	37283-01	4
14	Arm Guide Roll Assembly	35205-06 / 35205-02	4	35205-03 / 35205-04	4
15	Telescoping Idler Tube Weldment (Right)	34745-01R / 34745-02R	1		
16	Telescoping Idler Tube Weldment (Left)	34745-01L / 34745-02L	1		
17	Stay Parallel Weldment	35207-UR	2	35207-01UR	2
18	Washer Compression 5/8	11752	6	11752	6
19	Hex Nut 5/8-11NC ZP	11772	6	11772	6
20	Washer Compression 3/8	11747	4	11747	12
21	Screw HHC 3/8-16NC x 1-1/4 ZP	12215	4	12215	12
*22	Screw HHC 3/8-16NC	38088	1	16098	1
23	Screw HHC 1/2-13NC x 1-1/2 ZP	11763	4		
	Screw HHC 3/4-10NC x 1-1/2 ZP			26262	4
24	Screw HHC 1/2-13NC x 1-1/4 ZP	13835	2/4	13835	8
25	Screw HHC 1/2-13NC X 1 ZP	13842	6	13842	12
26	Flat Washer 1/2 wide ZP	17328	16	17328	16
27	Screw HHC 1/2-13NC x 3-1/2 ZP	M921	8	M921	8
28	Hex Nut Elastic Lock 1/2-13NC ZP	18577	8	18577	8
29	Plug for Tube	34714	4	35322	4
30	Telescoping Idler Tube Weldment			38031-H2 / 38031-H3	2
31	Telescoping Idler Tube Upright			38029-01RP	1
32	Telescoping Idler Tube Upright			38029-01LP	1
33	Telescoping Idler Tube Upright			38029-00RP	1
34	Telescoping Idler Tube Upright			38029-00LP	1
35	Hex Nut Elastic Lock 3/8-16NC ZP			14201	8
36	Bearing Flanged			35870	1

**Figure 20. Martin® Tracker™ Reversing (Lower Unit), P/N 34694-LXRA\* (Sheet 2 of 2)**

\* If ordering item 5, purchase 22 also.

Not Shown: Operators Manual (P/N M3446); Label Kit (P/N 34772-R); LOCTITE® Capsule (P/N 35433);  
Cylinder Control Assembly (P/N 39292-120 or 39292-24)

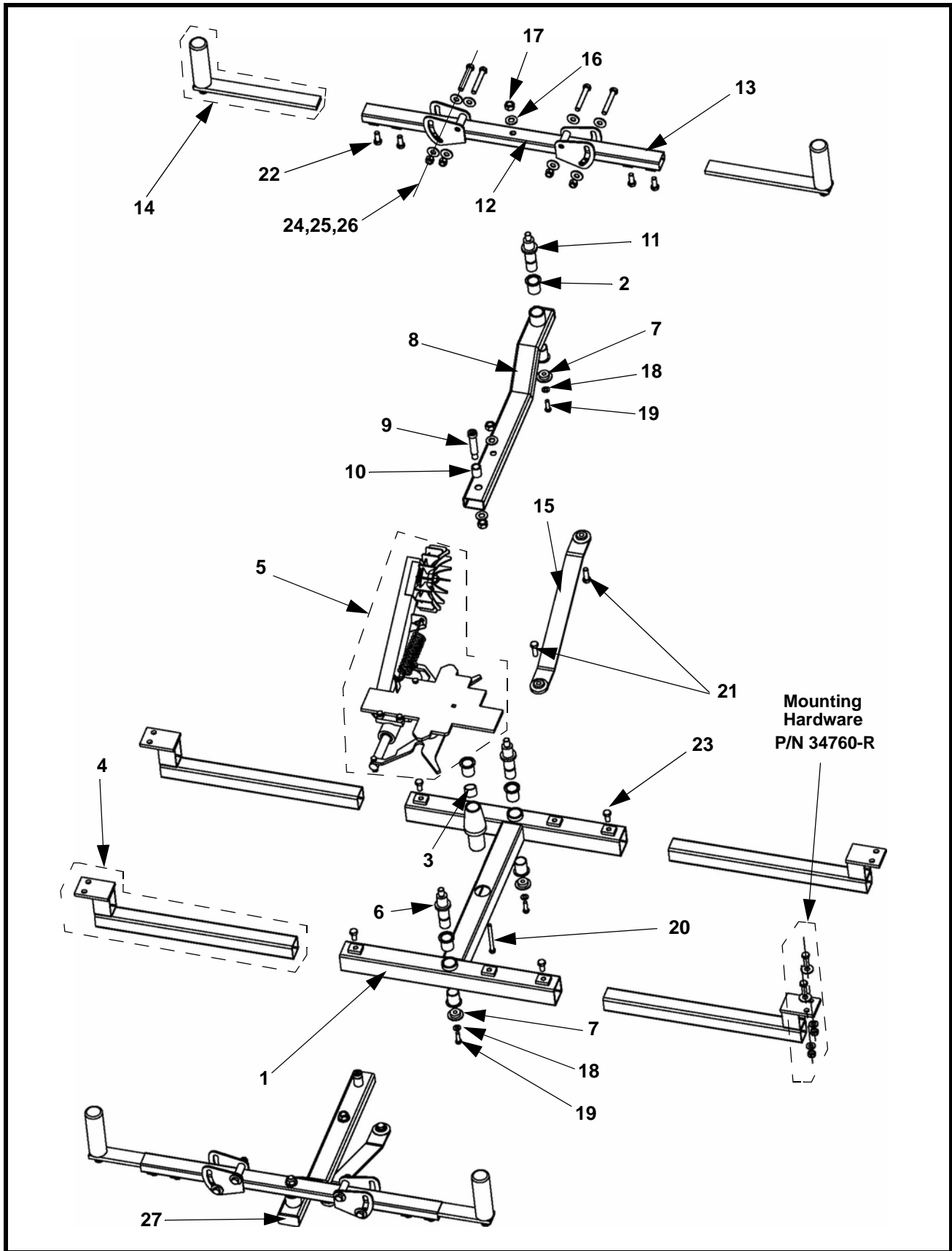


Figure 21. Martin® Tracker™ Reversing (Upper Unit), P/N 34695-UXR\* (Sheet 1 of 2)

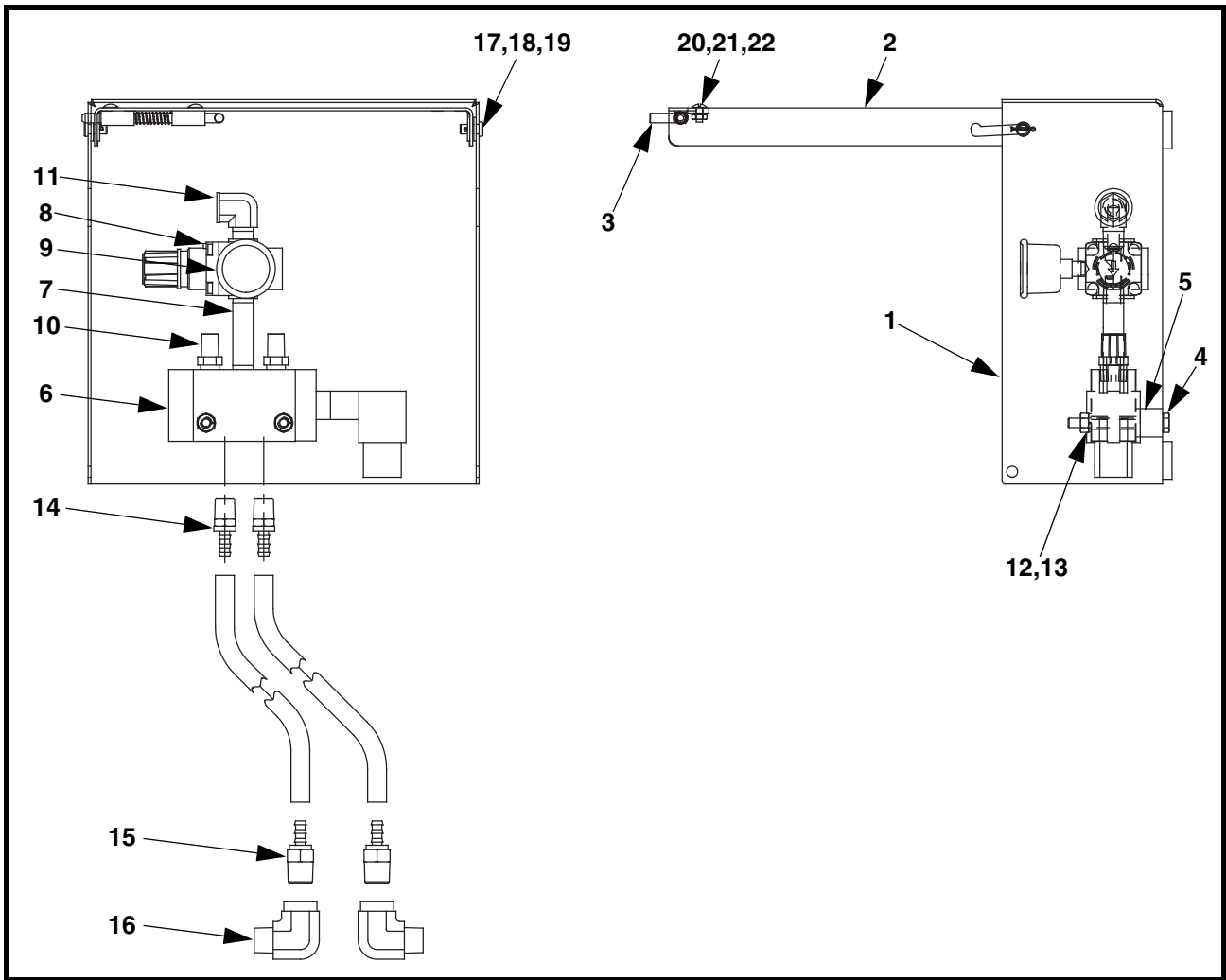


Part Number 34695-		U1R / U2R		U3R / U4R	
Item	Description	Part No.	Qty	Part No.	Qty
1	H-Frame Weldment	308075-00	1	308075-01	1
2	Bearing Flanged	37467	9	37467	8
3	Bearing Straight	38080	1	35869	1
4	Telescoping Tube Weldment	34742-01R / 34742-02R	4	34742-03R / 34742-04R	4
*5	Switching Mechanism Assembly	35662-00	1	35662-01	1
6	Swing Torque Shaft	37414-05	2	37414-03	4
7	Bearing Holder Cap	36939	4	36939	4
8	Arm Torque Weldment	34733-00UR	2	34733-01UR	2
9	Screw Shoulder 3/4 x 2-3/4	37267	2	37267	2
10	Torque Arm Bushing	37268	2	37268	2
11	Swing Torque Shaft	37414-02	2	37414-03	2
12	Cradle Weldment	38081-00	2	38081-01	2
13	Cradle Wing Tube Weldment	37458-02 / 37466	4	37283-01	4
14	Arm Guide Roll Assembly	35205-06 / 35205-02	4	35205-03 / 35205-04	4
15	Stay Parallel Weldment	35207-UR	2	35207-01UR	2
16	Washer Compression 5/8	11752	6	11752	6
17	Hex Nut 5/8-11NC ZP	11772	6	11772	6
18	Washer Compression 3/8	11747	4	11747	4
19	Screw HHC 3/8-16NC x 1-1/4 ZP	12215	4	12215	4
*20	Screw HHC 3/8-16NC	38088	1	16098	1
21	Screw HHC1/2-13NC x 1-1/2 ZP	11763	4		
	Screw HHC 3/4-10NC x 1-1/2 ZP			26262	4
22	Screw HHC 1/2-13NC x 1-1/4 ZP	13835	4/8	13835	8
23	Screw HHC 1/2-13NC X 1 ZP	13842	4	13842	8
24	Flat Washer 1/2 wide ZP	17328	16	17328	16
25	Screw HHC 1/2-13NC x 3-1/2 ZP	M921	8	M921	8
26	Hex Nut Elastic Lock 1/2-13NC ZP	18577	8	18577	8
27	Plug for Tube	34714	4	35322	4
28	Bearing Flanged			35870	1

**Figure 21. Martin® Tracker™ Reversing (Upper Unit), P/N 34695-UXR\* (Sheet 2 of 2)**

\* If ordering item 5, purchase 20 also.

Not Shown: Operators Manual (P/N M3446); Label Kit (P/N 34772-R); LOCTITE® Capsule (P/N 35433).



**Figure 22. Martin® Tracker™ Reversing Cylinder Control Assembly, P/N 39292-XXX  
(Sheet 1 of 2)**

Item	Description	Part No.	Qty
1	Base Weldment	39290-W	1
2	Cover	39290-C	1
3	Spring Loaded Slide Latch	39290-L	1
4	Screw HHC 1/4-20NC x 2-1/2 ZP	33668	2
5	Solenoid Stand-Off	39293-S	2
6	Valve 4-way 1/4	39293-120 (120VAC)	1
		39293-24 (24VDC)	
7	Nipple 1/4 NPT x 1-1/2	34812	1
8	Regulator 1/4 NPT 60 PSI	14728	1
9	Gauge Liquid Filled 1/8 NPT	30437	1
10	Muffler Air 1/4 NPT	31623	2
11	Elbow Street 3/8 NPT Brass	37191	1
12	Washer Lock Helical Spring 1/4 ZP	11894	2
13	Nut Hex 1/4-20NC ZP	11769	2
14	Hose Barb 1/4 NPT to 1/4 Hose	17224	2
15	Hose Barb 3/8 NPT to 1/4 Hose	39306	2
16	Elbow Street 3/8 NPT Brass	34269	2
17	Pin Clevis 1/4 x 1/2 ZP	39307	2
18	Washer Flat 1/4 Narrow ZP	39308	4
19	Pin Cotter 1/16 x 1/2 ZP	39309	2
20	Screw RHMS #8-32NC x 3/8	20158	2
21	Washer Lock Helical Spring #8 ZP	28675	2
22	Nut Hex #8-32NC ZP	27017	2
23 (NS)	Label Martin Product	38048	2
24 (NS)	Screw HHC 5/16-18NC x 1.25 ZP	39142	4
25 (NS)	Washer Compression 5/16	17083	4
26 (NS)	Nut Hex 5/16-18NC ZP	11963	4
27 (NS)	Hose Push-Lok 1/4	21241	30'
28 (NS)	Manual Operator's	M3446	1

**Figure 22. Martin® Tracker™ Reversing Cylinder Control Assembly, P/N 39292-XXX  
(Sheet 2 of 2)**

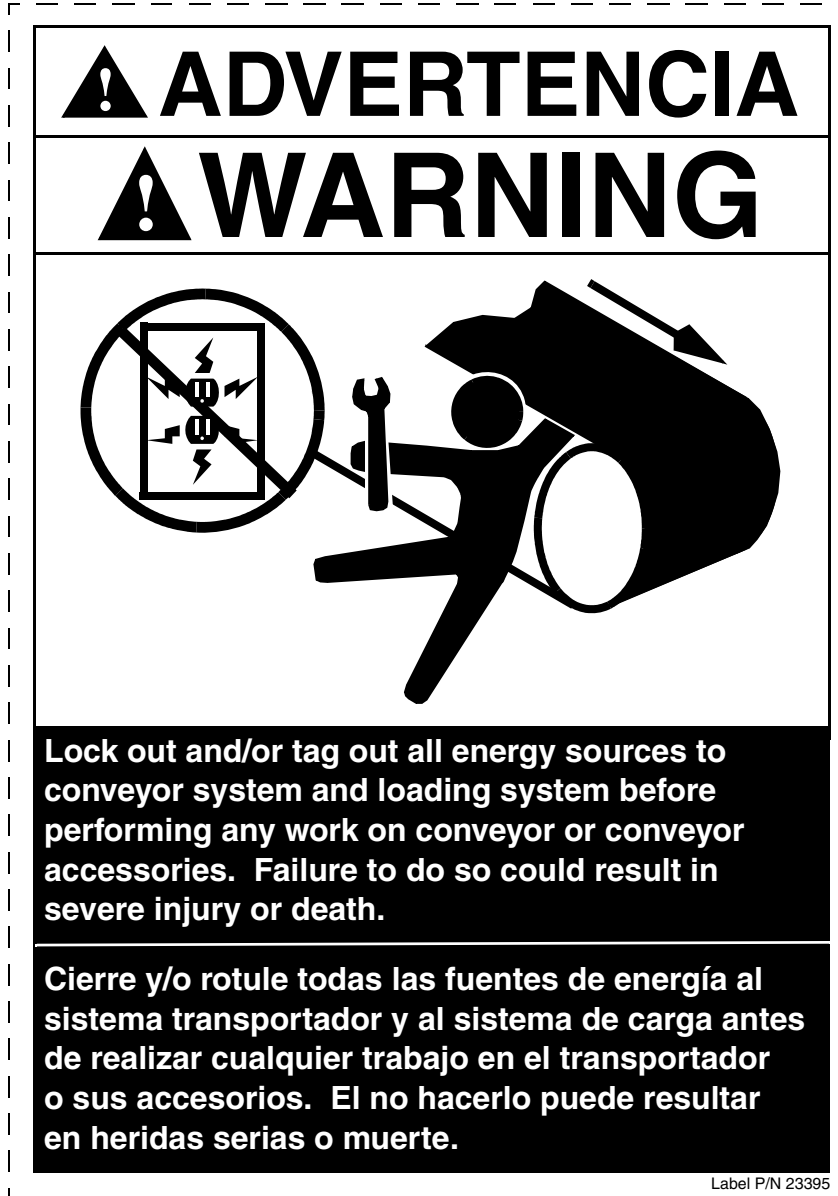


Figure 23. Conveyor Products Warning Label, P/N 23395

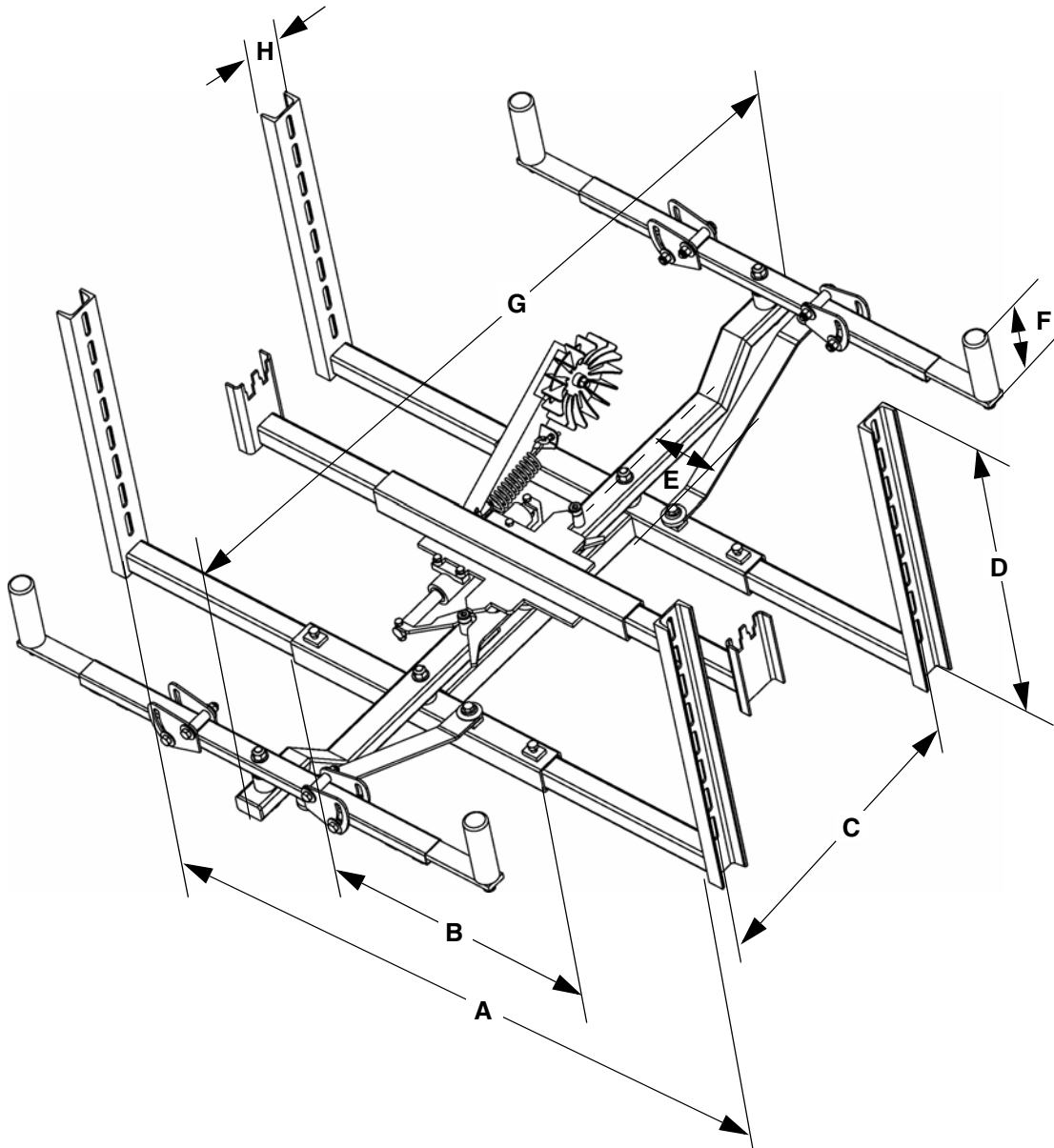


Figure 24. Pinch Point Warning Label, P/N 30528

**Appendix**  
**Martin® Tracker™ Reversing Dimensions**

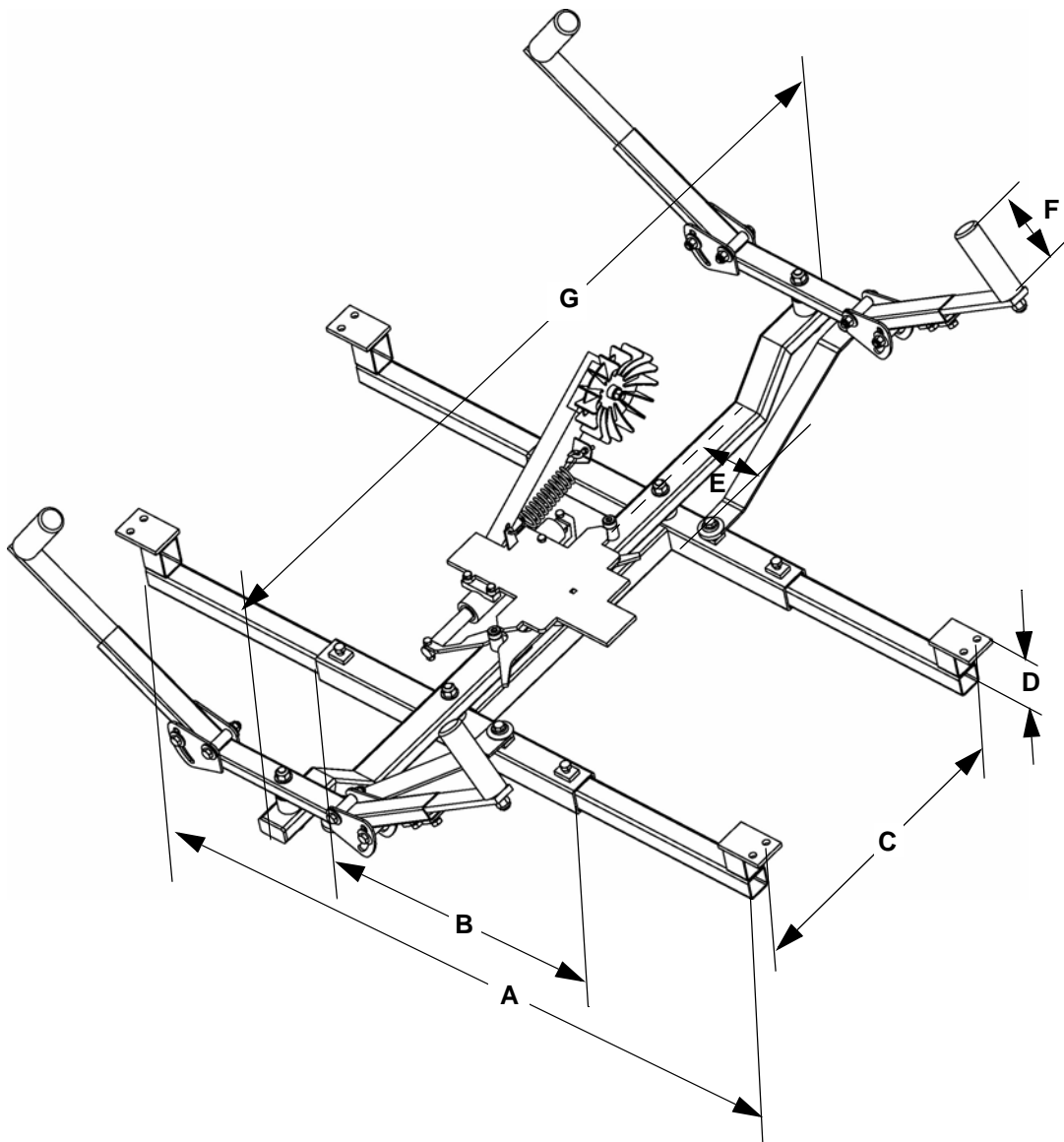
## Martin® Tracker™ Reversing Lower Unit Dimensions

Assembly P/N	Belt Width in. (mm)	Dimensions—in. (mm)							
		A (Max.)	B	C	D	E	F	G	H
34694-L1R & 34694-L1RA	24-36 (600-950)	52 (1321)	25.60 (650)	24.75 (629)	30.29 (769)	4.75 (120)	6.30 (160)	65.05 (1652)	3.00 (76)
34694-L2R & 34694-L2RA	42-54 (1000-1400)	66 (1676)	25.60 (650)	24.75 (629)	30.29 (769)	4.75 (120)	6.30 (160)	65.05 (1652)	3.00 (76)
34694-L3R & 34694-L3RA	60-72 (1400-1800)	84 (2134)	47.25 (1200)	24.75 (629)	34.29 (871)	9.84 (250)	9.00 (229)	64.26 (1632)	4.00 (102)
34694-L4R & 34694-L4RA	84 (1800-2200)	96 (2438)	47.25 (1200)	24.75 (629)	34.29 (871)	9.84 (250)	9.00 (229)	64.26 (1632)	4.00 (102)



## Martin® Tracker™ Reversing Upper Unit Dimensions

Assembly P/N	Belt Width in. (mm)	Dimensions—in. (mm)						
		A (Max.)	B	C	D	E	F	G
34695-U1	24-36 (600-950)	52 (1321)	25.60 (650)	24.75 (629)	4.88 (124)	4.75 (120)	6.30 (160)	65.05 (1652)
34695-U2	42-54 (1000-1400)	66 (1676)	25.60 (650)	24.75 (629)	4.88 (124)	4.75 (120)	6.30 (160)	65.05 (1652)
34695-U3	60-72 (1400-1800)	84 (2134)	47.25 (1200)	24.75 (629)	6.00 (152)	9.84 (250)	9.00 (229)	64.26 (1632)
34695-U4	84 (1800-2200)	96 (2438)	47.25 (1200)	24.75 (629)	6.00 (152)	9.84 (250)	9.00 (229)	64.26 (1632)

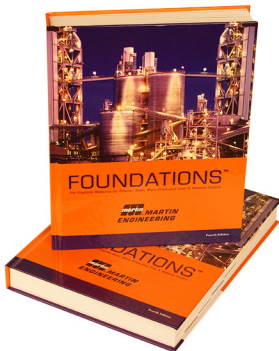


## Notes



*Any product, process, or technology described here may be the subject of intellectual property rights reserved by Martin Engineering Company. Trademarks or service marks designated with the ® symbol are registered with the U.S. Patent and Trademark Office and may be proprietary in one or more countries or regions. Other trademarks and service marks belonging to Martin Engineering Company in the United States and/or other countries or regions may be designated with the “TM” and “SM” symbols. Brands, trademarks, and names of other parties, who may or may not be affiliated with, connected to, or endorsed by Martin Engineering Company, are identified wherever possible. Additional information regarding Martin Engineering Company’s intellectual property can be obtained at [www.martin-eng.com/trademarks](http://www.martin-eng.com/trademarks).*

# Problem Solved™ GUARANTEED!



*For nearly 20 years, Martin Engineering's Foundations™ Books have taught industry personnel to operate and maintain clean and safe belt conveyors. The Foundations™ Book, fourth edition, focuses on improving belt conveyors by controlling fugitive material. "The Practical Resource for Total Dust and Material Control," is a 576-page hard cover volume that provides information of value to industries where the efficient handling of bulk materials is a key to productivity and profitability.*

*Expanding upon the book, our Foundations™ Training Program addresses the design and development of more productive belt conveyors, and is offered in three customizable seminars. Attendees gain a better understanding of conveyor safety and performance, helping to justify upgrade investments and increase profitability.*



**Martin Engineering Australia Pty Ltd.**  
102 Christensen Road South  
Stapylton QLD 4207 - Australia  
+61 1300 627 364  
salesau@martin-eng.com | www.martin-eng.com.au

