



# **Martin<sup>®</sup> Tracker™ Reversing Control Panel**



**Operator's Manual  
M4073**

# Important

MARTIN ENGINEERING HEREBY DISCLAIMS ANY LIABILITY FOR: DAMAGE DUE TO CONTAMINATION OF THE MATERIAL; USER'S FAILURE TO INSPECT, MAINTAIN AND TAKE REASONABLE CARE OF THE EQUIPMENT; INJURIES OR DAMAGE RESULTING FROM USE OR APPLICATION OF THIS PRODUCT CONTRARY TO INSTRUCTIONS AND SPECIFICATIONS CONTAINED HEREIN. MARTIN ENGINEERING'S LIABILITY SHALL BE LIMITED TO REPAIR OR REPLACEMENT OF EQUIPMENT SHOWN TO BE DEFECTIVE.

Observe all safety rules given herein along with owner and Government standards and regulations. Know and understand lockout/tagout procedures as defined by American National Standards Institute (ANSI) z244.1-1982, *American National Standard for Personnel Protection - Lockout/Tagout of Energy Sources - Minimum Safety Requirements* and Occupational Safety and Health Administration (OSHA) Federal Register, Part IV, 29 CFR Part 1910, *Control of Hazardous Energy Source (Lockout/Tagout); Final Rule*.

The following symbols may be used in this manual:



**Danger:** Immediate hazards that will result in severe personal injury or death.



**Warning:** Hazards or unsafe practices that could result in personal injury.



**Caution:** Hazards or unsafe practices that could result in product or property damages.



**Important:** Instructions that must be followed to ensure proper installation/operation of equipment.



**Note:** General statements to assist the reader.

# Table of Contents

---

<b>Section</b>	<b>Page</b>
List of Figures .....	ii
Introduction .....	1
General .....	1
References .....	1
Material required .....	1
Safety .....	2
Before Installing Control Panel .....	3
Installing Control Panel .....	4
Installing center roll assembly .....	4
Installing wing roll assembly .....	5
Installing direction sensor .....	6
Mounting power supply cabinet .....	7
Wiring power supply cabinet .....	8
Operating Control Panel .....	11
Indicators .....	11
Battery Charger LED Status Lights .....	12
General Operation .....	12
After Installing Control Panel .....	13
Troubleshooting .....	15
Parts Numbers .....	16

## List of Figures

---

<b>Figure</b>	<b>Title</b>	<b>Page</b>
1	Installing Center Roll Assembly .....	4
2	Installing Wing Roll Assembly .....	5
3	Direction Sensor .....	6
4	Power Supply Cabinet Layout .....	7
5	Jumper Wire .....	9
6	Installing Fuses .....	10
7	Control Panel Indicators .....	11
8	Status Lights .....	12
9	Martin <sup>®</sup> Roll Generator Assembly, P/N RGTMIXXP-XXCRXX .....	18
10	Martin <sup>®</sup> Roll Generator Assembly, P/N RGTMIEXP-XXX1XX .....	20
11	Martin <sup>®</sup> Roll Generator Assembly, P/N RGTMIEXP-XXX1XX .....	22
12	Martin <sup>®</sup> Roll Generator Direction Sensor Mount Kit .....	24
13	Martin <sup>®</sup> Tracker <sup>™</sup> Reversing Control Panel, P/N 39464-XXX .....	26

## List of Tables

---

<b>Table</b>	<b>Title</b>	<b>Page</b>
I	Martin <sup>®</sup> Roll Generator Part Numbers and Quantities for Assembly, P/N RGTMIXXP-XXCRXX .....	19
II	Martin <sup>®</sup> Roll Generator Part Numbers and Quantities for Assembly, P/N RGTMIEXP-XXX1XX .....	21
III	Martin <sup>®</sup> Roll Generator Part Numbers and Quantities for Assembly, P/N RGTMIEXP-XXX1XX .....	23
IV	Martin <sup>®</sup> Roll Generator Direction Sensor Mount Kit Part Numbers .....	25
V	Replacement Parts .....	26

# Introduction

---

## ***General***

The Martin<sup>®</sup> Roll Generator is a compact and self-contained power station that uses energy from a moving conveyor belt to provide 24-volt DC electricity that can be used to operate a wide variety of electronic systems, sensors, and safety mechanisms.

The Martin<sup>®</sup> Roll Generator attaches to a standard customer idler to produce electricity. While it is not a net producer of energy, the Martin<sup>®</sup> Roll Generator creates an electric current that can be used at locations that are remote or otherwise challenging to provide power to operate a PLC or other systems.

## ***References***

The following documents are referenced in this manual:

- American National Standards Institute (ANSI) z244.1-1982, *American National Standard for Personnel Protection - Lockout/Tagout of Energy Sources - Minimum Safety Requirements*, American National Standards Institute, Inc., 1430 Broadway, New York, NY 10018.
- Federal Register, Volume 54, Number 169, Part IV, 29 CFR Part 1910, *Control of Hazardous Energy Source (Lockout/Tagout); Final Rule*, Department of Labor, Occupational Safety and Health Administration (OSHA), 32nd Floor, Room 3244, 230 South Dearborn Street, Chicago, IL 60604.
- *The National Electrical Code (NEC)*, National Fire Protection Association, 1 Batterymarch Park, P.O. Box 9101, Quincy, MA 02269-9101.

## ***Materials required***

Installation of this equipment requires the use of standard hand tools, grinder, welder, and cutting torch.

Safety

All safety rules defined in the above documents and all owner/employer safety rules must be strictly followed when working on the Martin® Roll Generator.



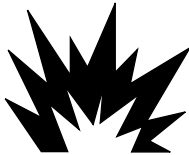
**⚠ DANGER**

Do not touch or go near the conveyor belt or conveyor accessories when the belt is running. Your body or clothing can get caught and you can be pulled into the conveyor, resulting in severe injury or death.



**⚠ DANGER**

Before installing, servicing, or adjusting the conveyor equipment, turn off and lockout / tagout / blockout / testout all energy sources to the conveyor and conveyor accessories according to ANSI standards. Failure to do so could result in serious injury or death.



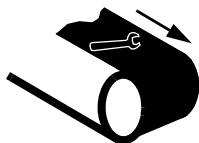
**⚠ DANGER**

If this equipment will be installed in an enclosed area, test the gas level or dust content before using a cutting torch or welding. Using a torch or welding in an area with gas or dust may cause an explosion resulting in serious injury or death. Follow local confined space procedures.



**⚠ WARNING**

Before using a cutting torch or welding, cover the conveyor belt with a fire retardant cover. Failure to do so can allow the belt to catch fire. Follow local fire watch procedures.



**⚠ WARNING**

Remove all tools from the installation area and conveyor belt before turning on the conveyor. Failure to do so can cause serious injury to personnel or damage to the belt and conveyor.

# Before Installing Control Panel

---

## IMPORTANT

The delivery service is responsible for damage occurring in transit. Martin Engineering CANNOT enter claims for damages. Contact your transportation agent for more information.

1. Inspect shipping container for damage. Report damage to delivery service immediately and fill out delivery service's claim form. Keep any damaged goods subject to examination.
2. Remove Martin<sup>®</sup> Tracker<sup>™</sup> Reversing Control Panel assembly from shipping container.
3. If anything is missing contact Martin Engineering or a representative.

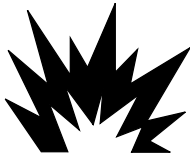


## ⚠ DANGER

Before installing, servicing, or adjusting the conveyor equipment, turn off and lockout / tagout / blockout / testout all energy sources to the conveyor and conveyor accessories according to ANSI standards. Failure to do so could result in serious injury or death.

4. Turn off and lockout / tagout / blockout / testout energy source according to ANSI standards (see "References").

## ⚠ DANGER



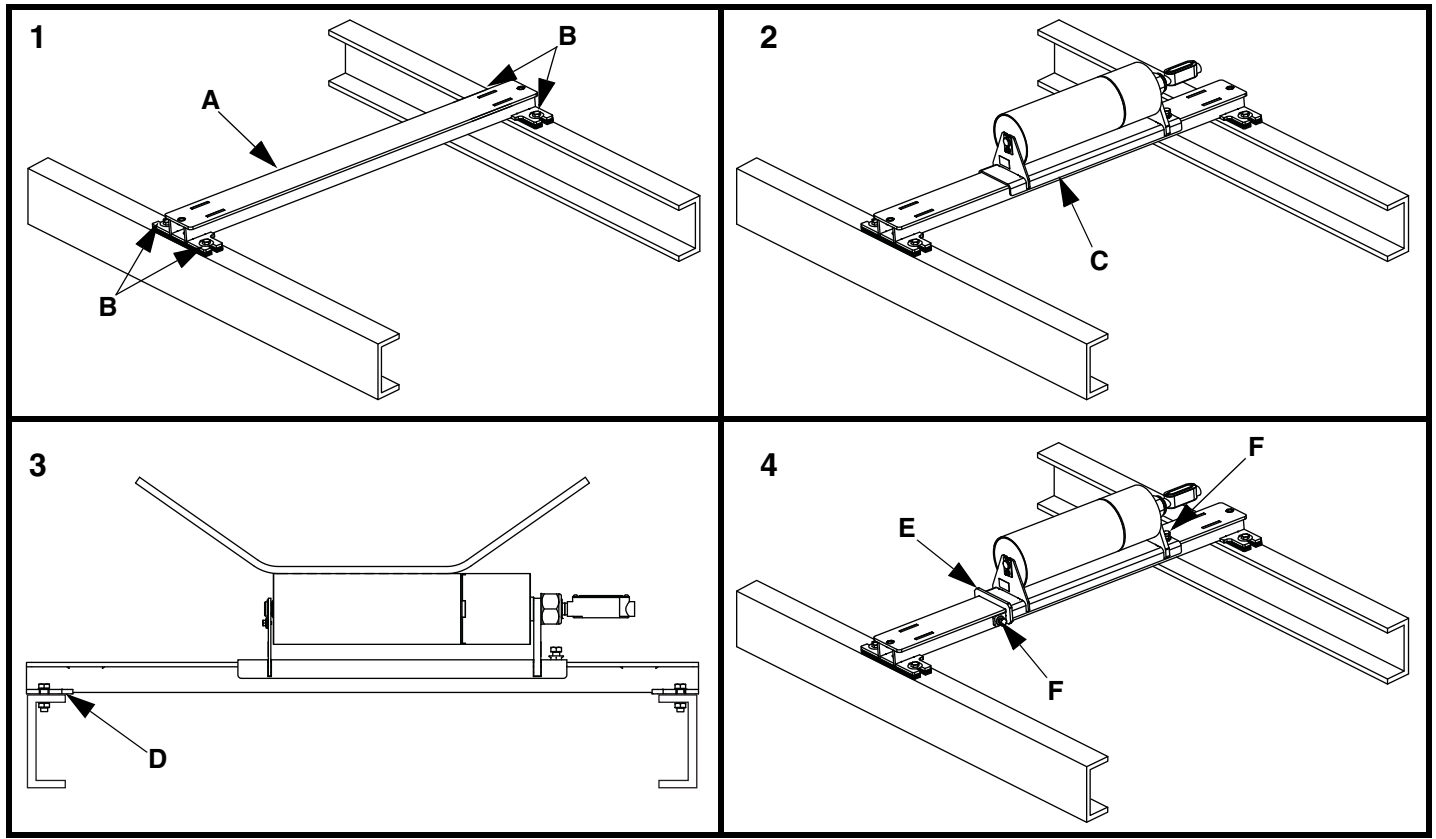
If this equipment will be installed in an enclosed area, test the gas level or dust content before using a cutting torch or welding. Using a torch or welding in an area with gas or dust may cause an explosion resulting in serious injury or death. Follow local confined space procedures.

5. If using a cutting torch or welding, test atmosphere for gas level or dust content. Cover conveyor belt with fire retardant cover.

## IMPORTANT

Do not install Martin<sup>®</sup> Roll Generator in load zone.

# Installing Control Panel



**Figure 1. Installing Center Roll Assembly**

## *Installing center roll assembly*

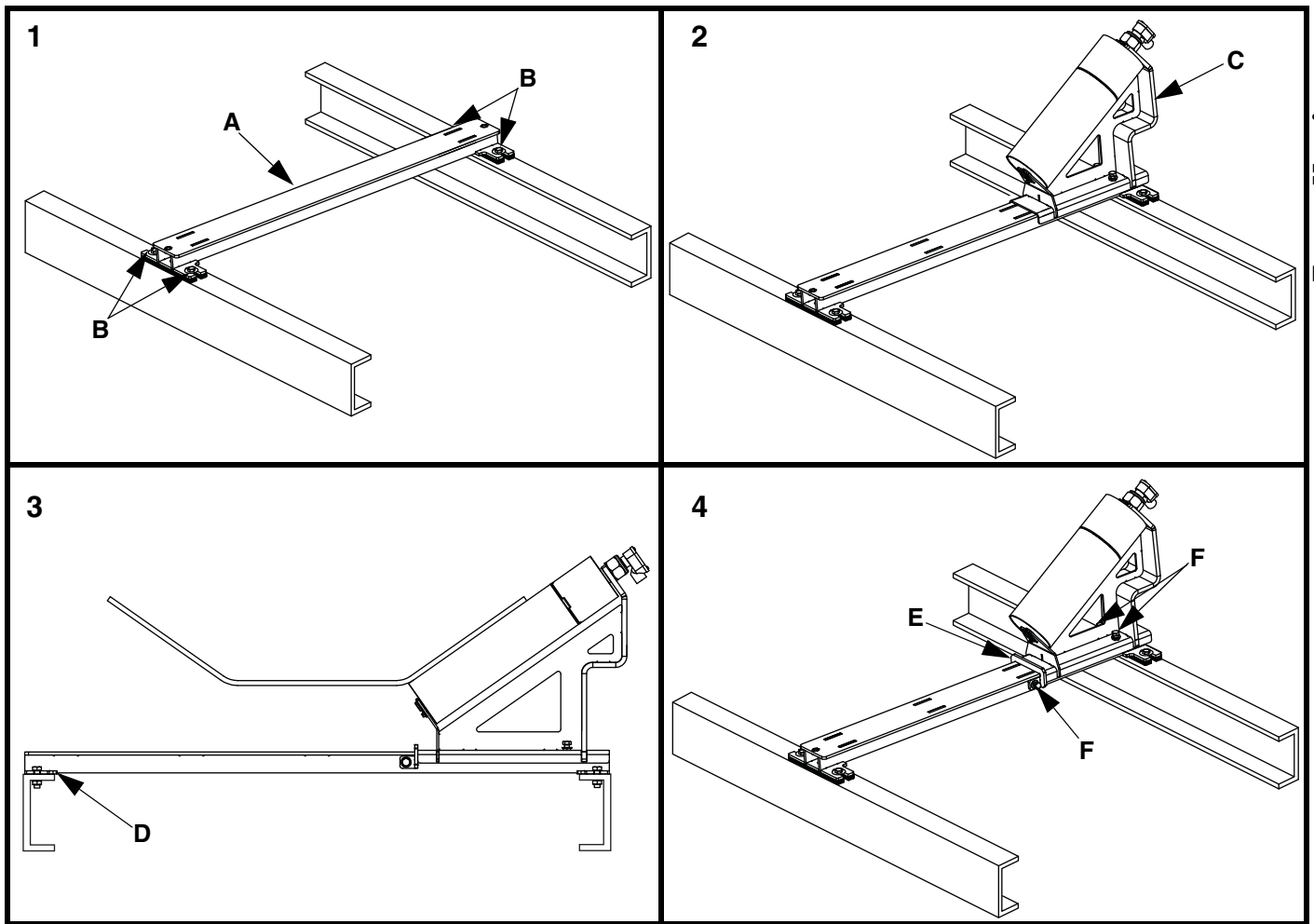
1. Mount track weldment (A) on conveyor.
  - a. Determine desired mounting location near reversing tracker.
  - b. Position track weldment on stringer.
  - c. Make sure track weldment is 90° to belt travel.
  - d. Mark location of mounting holes.
  - e. Drill or cut two 5/8-in. holes in each stringer.
  - f. Remove burrs and sharp edges.
  - g. Fasten track weldment to stringer using supplied hardware (B). Hand tighten only.
2. Slide center roll weldment assembly (C) onto track weldment.

## IMPORTANT

**Roll must contact belt at all times to generate electricity, but generator housing must not come into contact with belt.**

3. If necessary add shims (D) between track weldment and stringers. Tighten mounting hardware (B).
4. Slide end stop (E) onto track weldment. Tighten jam nuts (F) on center roll weldment and end stop.





Installation

**Figure 2. Installing Wing Roll Assembly**

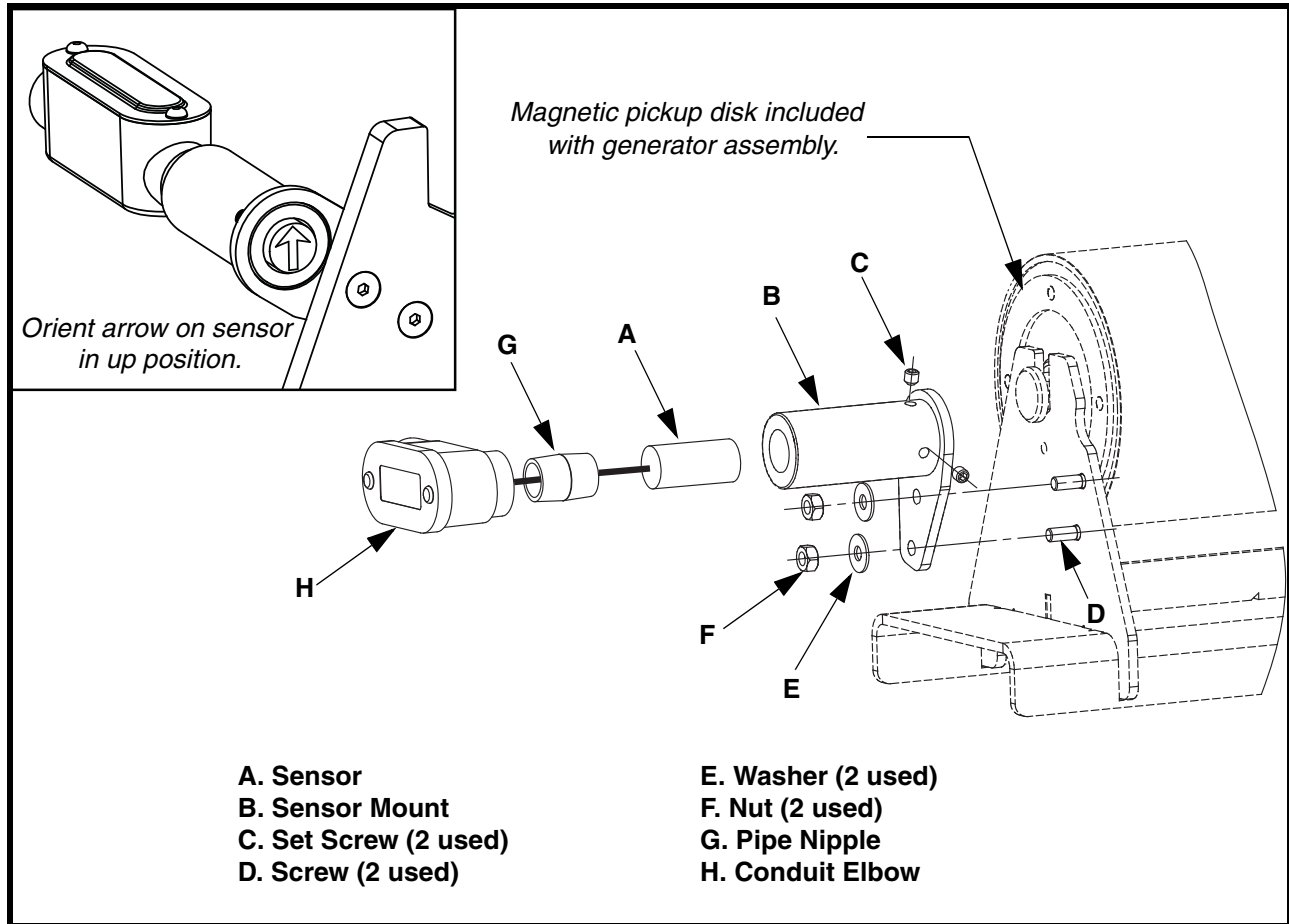
***Installing wing roll assembly***

1. Mount track weldment (A) on conveyor.
  - a. Determine desired mounting location near reversing tracker.
  - b. Position track weldment on stringer.
  - c. Make sure track weldment is 90° to belt travel.
  - d. Mark location of mounting holes.
  - e. Drill or cut two 5/8-in. holes in each stringer.
  - f. Remove burrs and sharp edges.
  - g. Fasten track weldment to stringer using supplied hardware (B). Hand tighten only.
2. Slide wing roll weldment assembly (C) onto track weldment until roll fully contacts belt.

**IMPORTANT**

**Roll must contact belt at all times to generate electricity, but generator housing must not come into contact with belt.**

3. If necessary add shims (D) between track weldment and stringers. Tighten mounting hardware (B).
4. Slide end stop (E) onto track weldment. Tighten jam nuts (F) on wing roll weldment and end stop.



**Figure 3. Direction Sensor**

***Installing direction sensor***

1. Install sensor mount (B) on idler frame using screws (D), washers (E), and nuts (F).
2. Insert sensor (A) into sensor mount until sensor is flush with end of mount. Rotate idler roll to ensure clearance between magnetic pickup disk and sensor.
3. Rotate sensor so arrow on sensor is pointing up.
4. Tighten set screws (C).
5. Install pipe nipple (G) into sensor mount.
6. Remove cover from conduit elbow (H) and route sensor wire through elbow.
7. Install conduit elbow onto pipe nipple. Do not twist sensor wire when installing elbow.

*Mounting power supply cabinet*

**⚠ WARNING**

Before making any connections, lockout / tagout / blockout / testout electrical supply to controller according to ANSI standards (see “References”).

**⚠ WARNING**

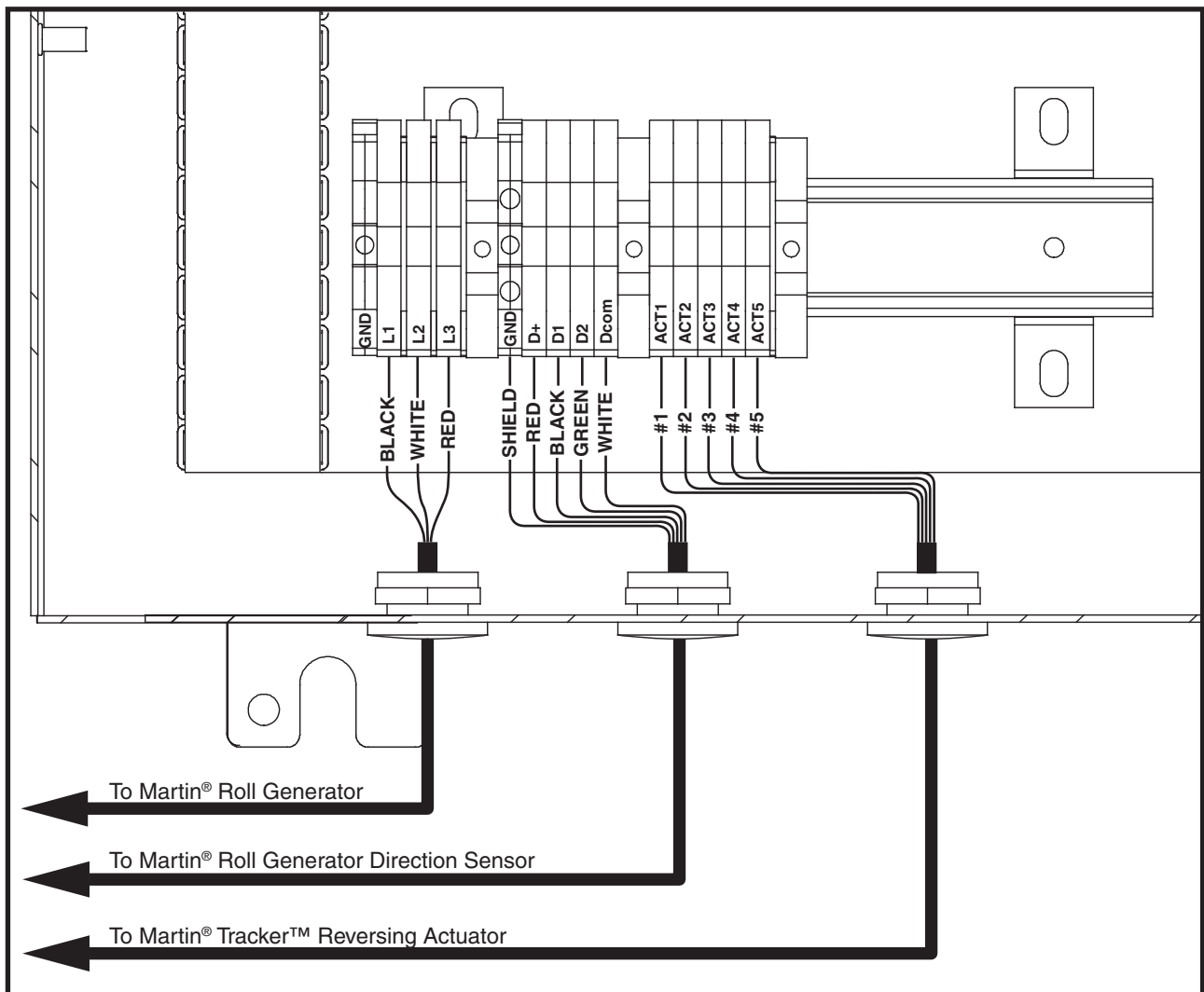
All electrical work must be done to National Electrical Code (NEC) standards.

1. Determine location for power supply cabinet.

**⚠ CAUTION**

Do not mount power supply cabinet in area subject to shock, vibration, temperatures exceeding 130°F (55°C), or explosion. Damage to power supply cabinet circuitry could result.

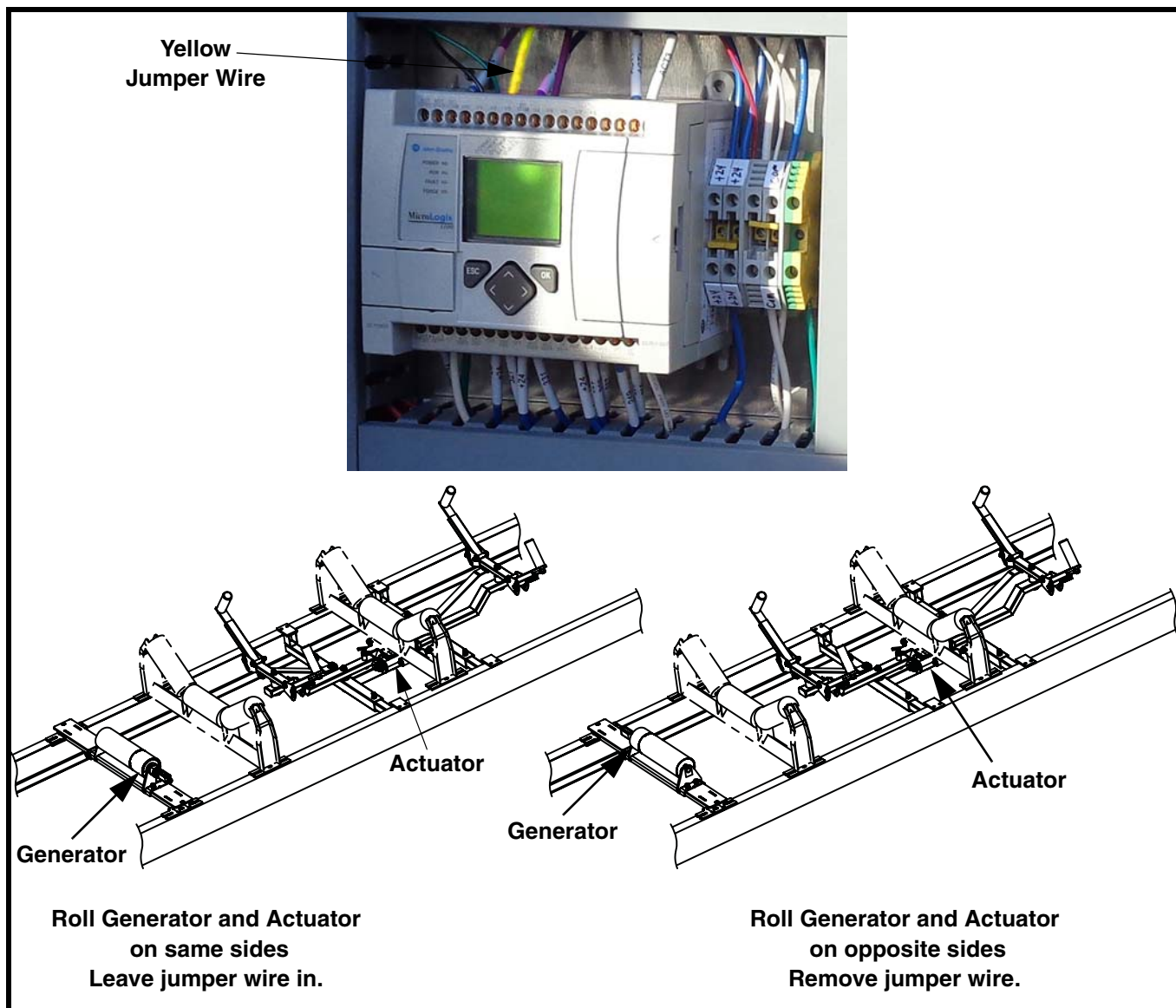
2. Mount cabinet onto wall with fasteners.



**Figure 4. Power Supply Cabinet Layout**

***Wiring power  
supply cabinet***

1. Using electrical connectors, route wires from power supply to control panel.
  - a. For Martin<sup>®</sup> Roll Generator power supply, connect wires from roll generator to terminal block (see Figure 4):
    - (1) Black wire to L1 terminal.
    - (2) White wire to L2 terminal.
    - (3) Red wire to L3 terminal.
  - b. For 120/240V power supply, connect wires from power supply to terminal block:
    - (1) Line to L1 terminal.
    - (2) Neutral to L2 terminal.
    - (3) Ground to GND terminal.
2. Using electrical connectors, route wires from actuator on Martin<sup>®</sup> Roll Generator to control panel.
  - a. Connect wires from sensor to terminal block (see Figure 4):
    - (1) The number on each wire corresponds with the terminal it connects to (for example, wire #1 to terminal ACT1).
3. Using electrical connectors, route wires from direction sensor on Martin<sup>®</sup> Tracker<sup>™</sup> to control panel.
  - a. Connect wires from actuator to terminal block (see Figure 4):
    - (1) Shield to Ground terminal.
    - (2) Red wire to D+ terminal.
    - (3) Black wire to D1 terminal.
    - (4) Green wire to D2 terminal.
    - (5) White wire to Dcom terminal.



**Figure 5. Jumper Wire**

4. Remove yellow jumper wire if necessary. Refer to Figure 5.
5. If jumper wire is not in correct position, the “Extend” and “Retract” lights will display the opposite function of the actuator. For example, when the actuator is extended the “Retract” light will be on.

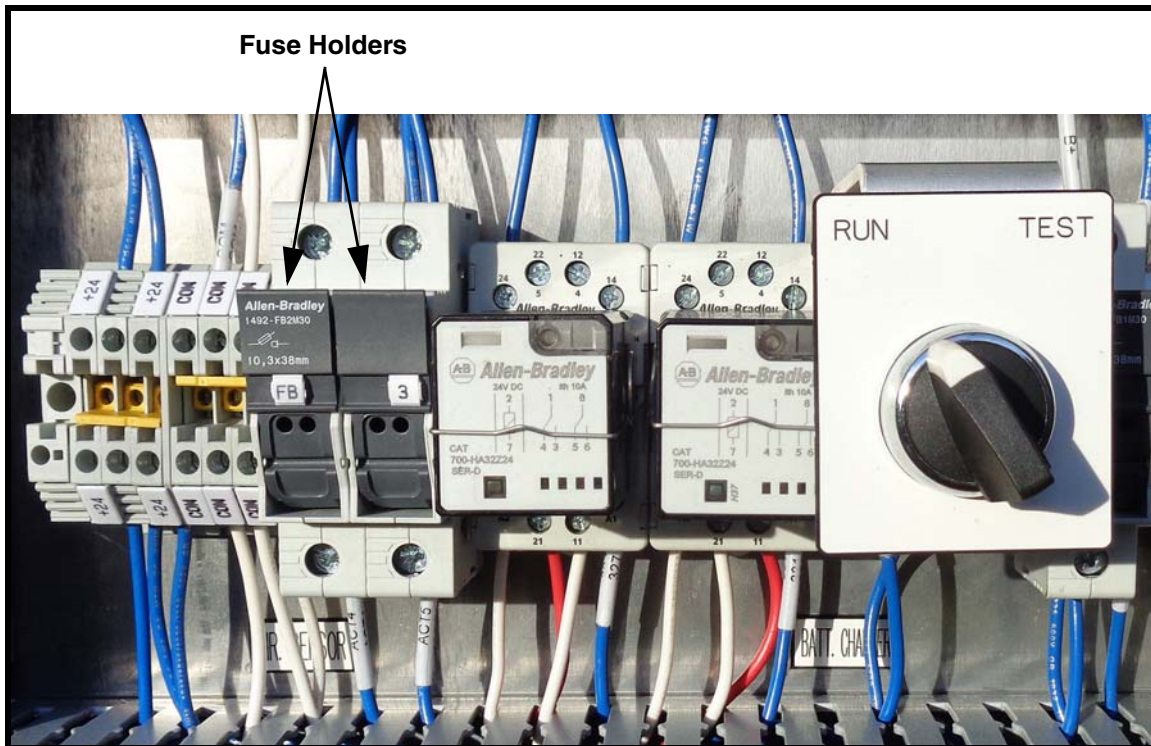


Figure 6. Installing Fuses

**NOTE**

Fuses are shipped loose with control panel.

6. Insert fuses into fuse holders.

# Operating Control Panel

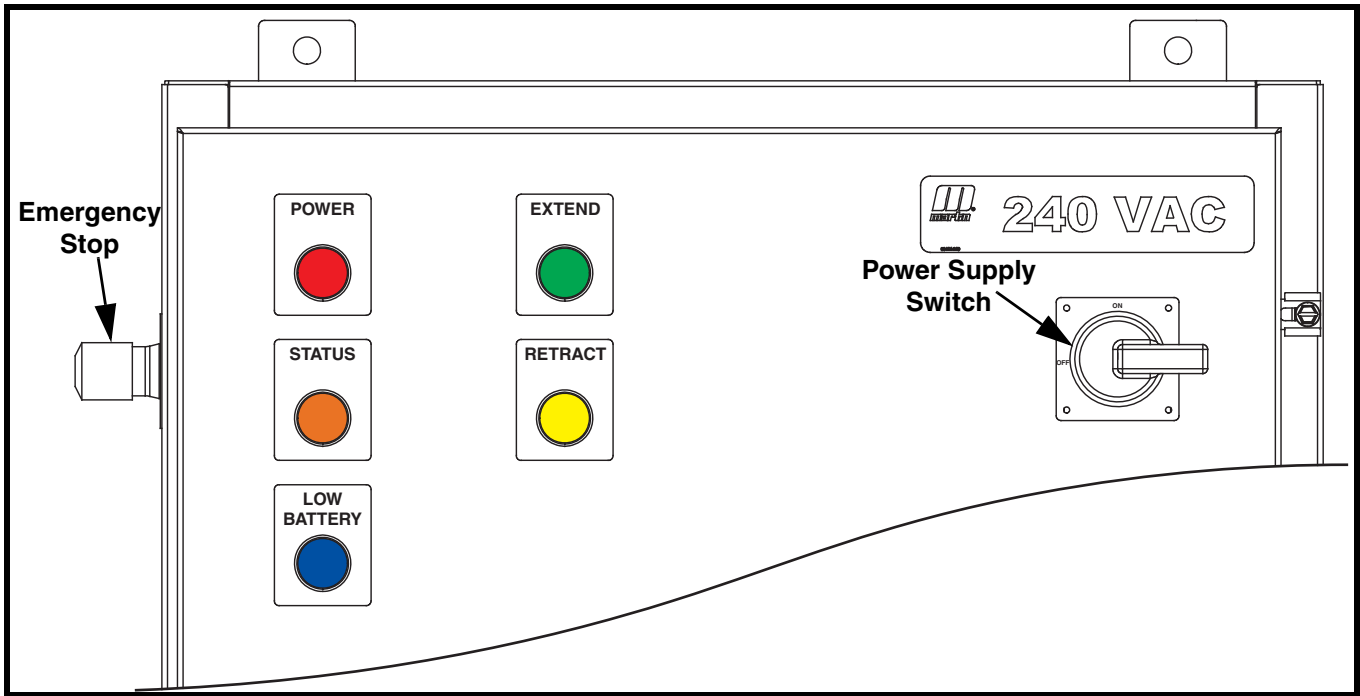


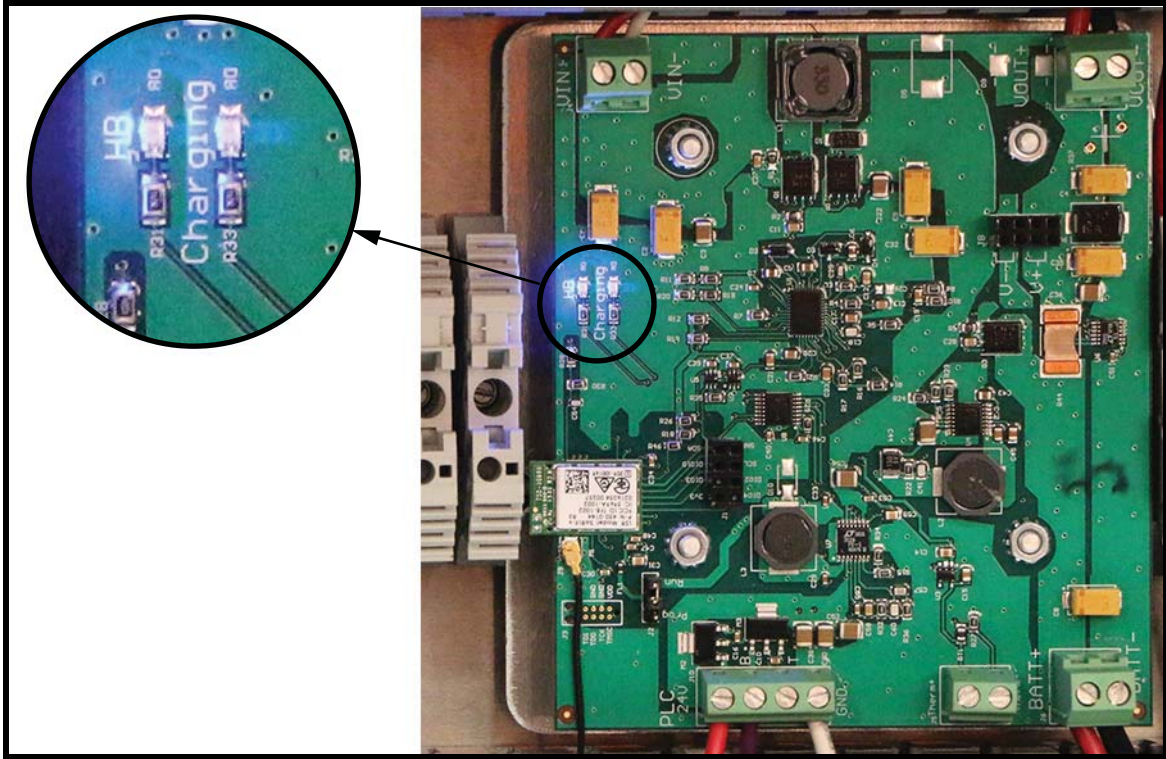
Figure 7. Control Panel Indicators

## Indicators

1. Power (red):
  - a. Illuminates when the PLC is receiving power; either the roll generator is making power or the belt has been off for less than 5 minutes.
2. Status (amber):
  - a. Solid: Actuator is moving toward or at the target direction.
  - b. Flashing: Actuator error.
3. Low Battery (blue):
  - a. Solid: System observed low voltage in the last 8 hours and is attempting to recharge batteries (actuator will not move when light is on).
  - b. Flashing: Low battery condition was present in the last 8 hours and batteries have not been able to fully recharge. Batteries need service (resets on power cycle).
4. Extend (green):
  - a. Solid: Actuator at target.
  - b. Flashing: Actuator has faulted, but will try to move again (minor fault).
5. Retract (yellow):
  - a. Solid: Actuator at target.
  - b. Flashing: Actuator has faulted, but will try to move again (minor fault).

**IMPORTANT**

A solid amber light and either the green or the yellow light flashing indicates actuator has failed to reach target direction after 3 attempts.  
 Amber, green, and yellow lights flashing indicates a major fault.



**Figure 8. Status Lights**

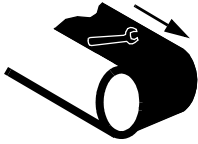
***Battery Charger LED Status Lights***

1. Heartbeat (HB):
  - a. Indicates batteries are connected to system. Illuminates when there is power supplied from either the battery or the roll generator.
2. Charging:
  - a. Solid: Bulk Charging Mode (maximum voltage and current),
  - b. Fast Flashing: Absorption Mode (maximum voltage and current dropping).
  - c. Slow Flashing: Float Mode (low voltage and low current maintenance).

***General Operation***

1. The PLC requires approximately 30 seconds to boot up when the unit is turned on.
2. The PLC will stay on for 5 minutes after conveyor stops running and the generator is not making power. The actuator will not run during this time.
3. The actuator will wait for approximately 5 seconds to move after the belt switches direction.
4. Actuator will move for, at most, 4sec. If it has not reached its target in 4sec [minor fault] it will try to move 2 additional times at 5 minute intervals before reaching a major fault.





**⚠ WARNING**

Failure to remove tools from installation area and conveyor belt before turning on energy source can cause serious injury to personnel and damage to belt.



**⚠ DANGER**

Do not touch or go near conveyor belt or conveyor accessories when conveyor belt is running. Body or clothing can get caught and pull body into conveyor belt, causing severe injury or death.

1. Turn on conveyor belt for 1 hour, then turn off.



**⚠ DANGER**

Before installing, servicing, or adjusting the conveyor equipment, turn off and lockout / tagout / blockout / testout all energy sources to the conveyor and conveyor accessories according to ANSI standards. Failure to do so could result in serious injury or death.

2. Make sure all fasteners are tight. Tighten if necessary.



# Troubleshooting

Symptom	Cause	Corrective Action
Power light is off	Emergency stop tripped	Reset emergency stop
	Disconnect OFF	Turn disconnect to ON
	No input at power supply	Check voltage at power supply
Power light is on, but actuator will not move	Fuse blocks open	Close fuse blocks
	Fuses tripped	Check continuity and replace fuses if necessary
	Selector switch is set to test	Move selector switch to run
	Indicators flashing fault	Inspect actuator for jam or misalignment in tracker
		Check voltage is being supplied to actuator
Actuator will not move when belt switches direction (power light is on belt is on)	Low battery light flashing	Service batteries; reset power
	Low battery light solid	Wait for dwell charge time or reset power
	Fuse blocks open	Close fuse blocks
	Fuses tripped	Check continuity and replace fuses if necessary
	Selector switch is set to test	Move switch to run
	Indicators flashing fault	Inspect actuator for jam or misalignment in tracker
		Check voltage is being supplied to actuator
Actuator will not move when belt switches direction (power light is off belt is on)	Roll generator is not turning	Check proper engagement to belt
	Emergency stop tripped	Reset emergency stop
	Disconnect OFF	Turn disconnect to ON

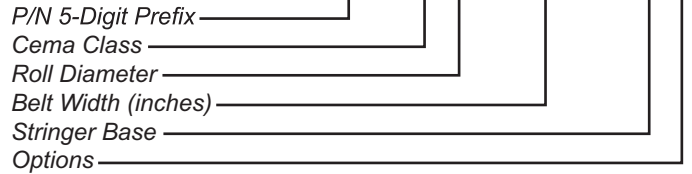
# Part Numbers

This section provides product names and corresponding part numbers for Martin® Roll Generator and related equipment. Please reference part numbers when ordering parts:

## Martin® Power Supply Cabinet: P/N 39413

## Martin® Roll Generator Center Roll Assembly

**NOMENCLATURE**                      **RGTMI - X X P XX CR X X**



**CEMA CLASS**

- D:** Class D
- E:** Class E

**STRINGER BASE**

- S:** Standard Base
- W:** Wide Base

**ROLL DIAMETER**

- 5:** 5 inch
- 6:** 6 inch
- 7:** 7 inch

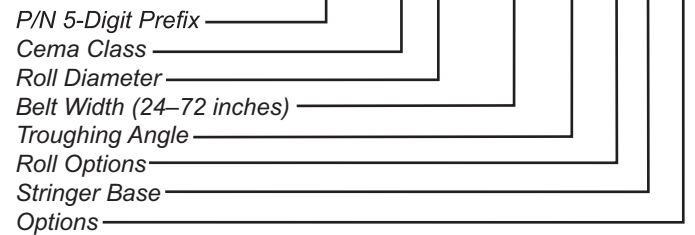
**OPTIONS**

- D:** Rotation Direction Sensor Kit

## Martin® Roll Generator Wing Roll Assembly - CEMA D

**NOMENCLATURE**

**RGTMI- D X P XX XX 1 X X**



**ROLL DIAMETER**

- 5:** 5 inch
- 6:** 6 inch

**STRINGER BASE**

- S:** Standard Base
- W:** Wide Base

**TROUGHING ANGLE**

- 20:** 20 Degrees
- 35:** 35 Degrees

**OPTIONS**

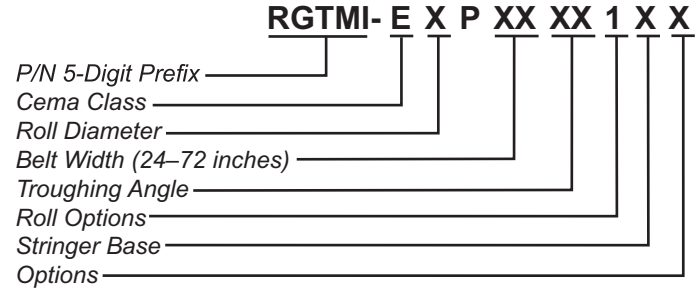
- D:** Rotation Direction Sensor Kit (6 inch rolls only)

**ROLL OPTIONS**

- 1:** Single Wing Roll

# Martin® Roll Generator Wing Roll Assembly - CEMA E

## NOMENCLATURE



### ROLL DIAMETER

- 6:** 6 inch
- 7:** 7 inch

### TROUGHING ANGLE

- 20:** 20 Degrees
- 35:** 35 Degrees

### ROLL OPTIONS

- 1:** Single Wing Roll

### STRINGER BASE

- S:** Standard Base
- W:** Wide Base

### OPTIONS

- D:** Rotation Direction Sensor Kit

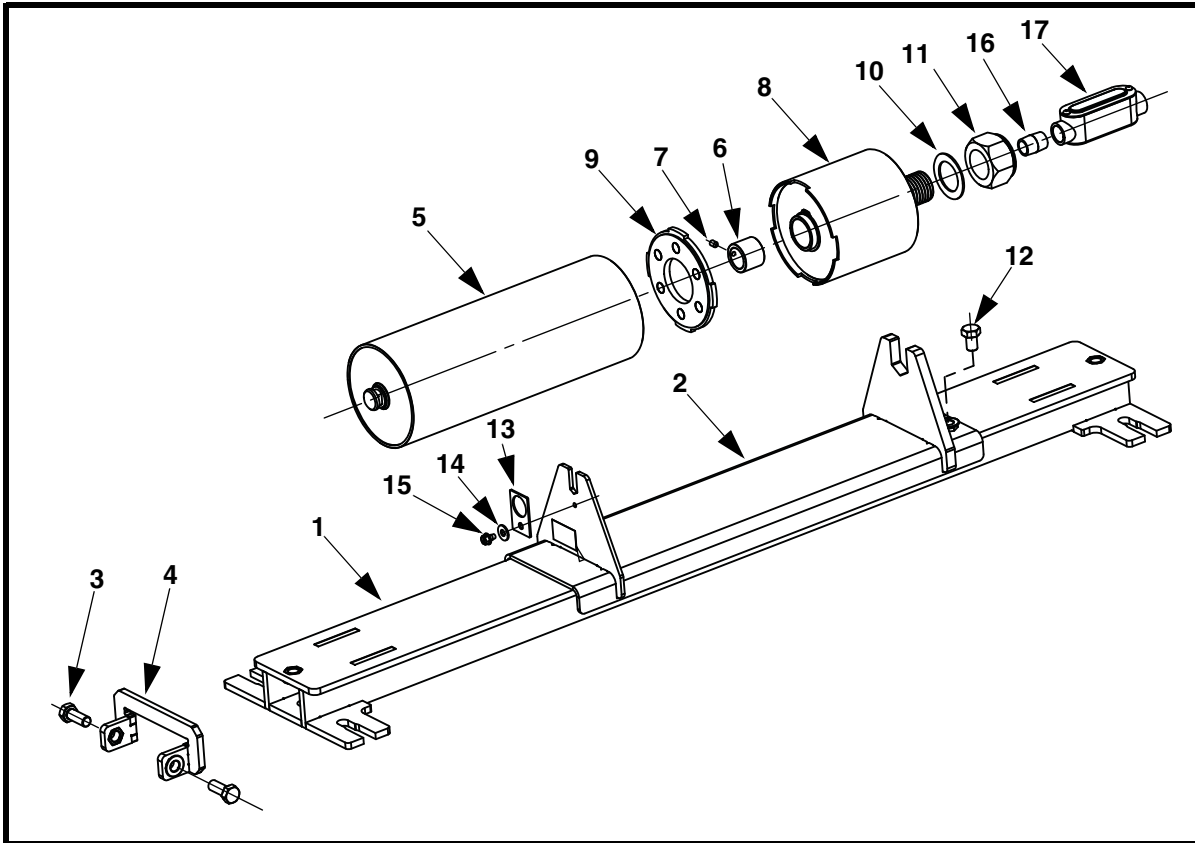


Figure 9. Martin® Roll Generator Assembly, P/N RGTMIXXP-XXCRXX

Item	Description	Part No.	Qty
1	Plate Type Track Weldment	TMI2-TW-XXXX*	1
2	Center Sleeve Weldment	RGTMI-CW-X1PX**	1
3	End Stop Weldment	Table I	1
4	Screw HHC 1/2-13NC x 1-1/4 SS	25463	2
5	Steel Roll	Table I	1
6	Shaft Adapter Bushing	RG1-010-0030-100	Table I
7	Screw Set Hex SOC Cup 1/4-20 x 3/8	11716	Table I
8	Roll Generator Sub Assembly for PPI Rolls	RG1-010-5P	1
9	Magnetic Drive Cog/Sleeve	Table I	1
10	Shaft Washer SS	RG-010-0032	1
11	Nut Elastic Lock M36 x 4.00 ZP	39400	1
12	Screw HHC 1/2-13NC x 3/4 SS	31294	1
13	Tie Tab	Table II	1
14	Washer Flat 1/4 Wide ZP	15073	1
15	Screw Tapping HWH 1/4-20NC x 3/8 Type C ZP	38608	1
16	Nipple Pipe 1/2-NPT SCH 40 x 12 Galv.	37140	1

Item	Description	Part No.	Qty
17	Inline Conduit Connector 1/2	39441	1
18 (NS)	TMI Foot Shim Plate .12 Thick	TMI2-FS-XX-12	4
19 (NS)	TMI Foot Shim Plate .18 Thick	TMI2-FS-XX-18	4
20 (NS)	Label Martin® Product Small	32238	2
21 (NS)	Mounting Hardware Kit	35283	1
22 (NS)	Operator's Manual	M4062	1
23 (NS)	Rotation Direction Sensor Mount Kit	Table I	Table I
24 (NS)	Rotation Direction Magnetic Disk for 5" Rolls	RGTMI-DS-0014DP	Table I

\* First X indicates CEMA Class (D) or (E). Next XX indicates Belt Width. Last X indicates Standard (S) or Wide (W) Base.  
 \*\* First X indicates CEMA Class (D) or (E). Last X indicates Rotation Direction Sensor Mount Kit (D) or Blank.  
 NS = Not Shown

**Table I. Martin® Roll Generator Part Numbers and Quantities for Assembly  
 P/N RGTMIXXP-XXCRXX**

Part No.	Part No. Item 3	Part No. Item 5	Part No. Item 9	Part No. Item 13	Qty Items 6 & 7
RGTMID5P-XXCR	RGTMI-ESW-D	TMIRD5-36SP	RG1-010-0050-5P	TMI-TT-100P	1
RGTMID6P-XXCR	RGTMI-ESW-D	TMIRD6-36SP	RG1-010-0050-6P	TMI-TT-100P	1
RGTMIE6P-XXCR	RGTMI-ESW-E	TMIRE6-36SP	RG1-010-0050-6P	TMI-TT-138P	0
RGTMIE7P-XXCR	RGTMI-ESW-E	TMIRE7-36SP	RG1-010-0050-7P	TMI-TT-138P	0

Part No.	Part No. Item 23	Qty Item 23	Qty Item 24
RGTMID5P-XXCRXD	RGTMI-DS-MK5	1	1
RGTMID6P-XXCRXD	RGTMI-DS-MK6	1	0
RGTMIE6P-XXCRXD	RGTMI-DS-MK6	1	0
RGTMIE7P-XXCRXD	RGTMI-DS-MK6	1	0

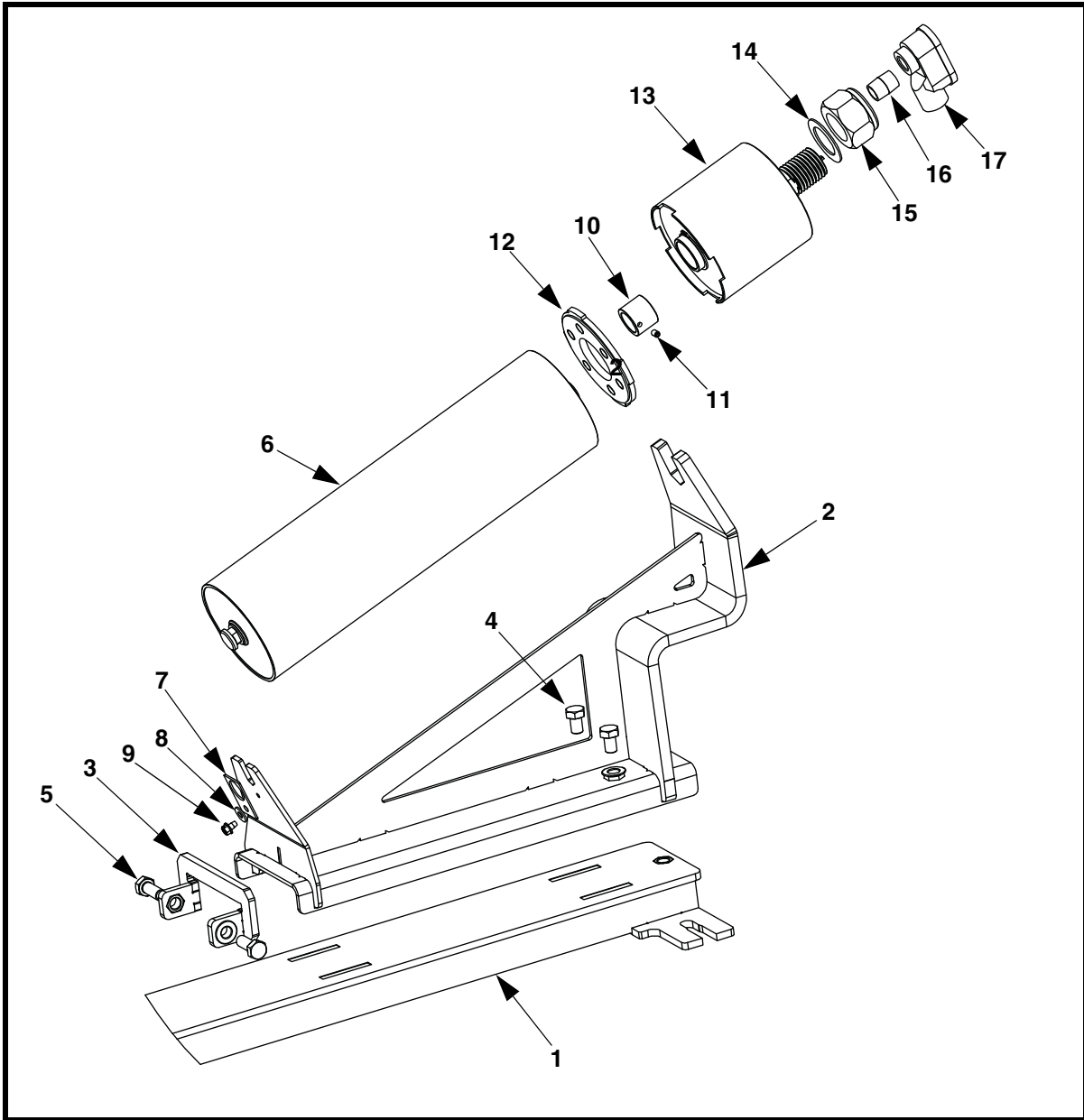


Figure 10. Martin® Roll Generator Assembly, P/N RGTMDXP-XXXX1XX



Item	Description	Part no.	Qty
1	Plate Type Track Weldment	TMI2-TW-DXXX*	1
2	Wing Weldment	RGTMI-WW-DXXXXSPX**	1
3	End Stop Weldment	RGTMI-ESW-D	1
4	Screw HHC 1/2-13NC x 3/4 SS	31294	2
5	Screw HHC 1/2-13NC x 1-1/4 SS	25463	2
6	Steel Roll	Table II	1
7	Tie Tab	TMI-TT-100P	1
8	Washer Flat 1/4 Wide ZP	15073	1
9	Screw Tapping HWH 1/4-20NC x 3/8 Type C ZP	38608	1
10	Shaft Adapter Bushing	RG1-010-0030-100	1
11	Screw Set Hex SOC Cup 1/4-20 x 3/8	11716	1
12	Magnetic Drive Cog/Sleeve	Table II	1
13	Roll Generator Sub Assembly for PPI Rolls	RG1-010-5P	1
14	Shaft Washer SS	RG-010-0032	1
15	Nut Elastic Lock M36 x 4.00 ZP	39400	1
16	Nipple Pipe 1/2-NPT SCH 40 x 12 Galv.	37140	1
17	Conduit Connector 90° 1/2	38256-S	1
18 (NS)	TMI Foot Shim Plate .12 Thick	RGTMI-FS-XX-12	4
19 (NS)	TMI Foot Shim Plate .18 Thick	RGTMI-FS-XX-18	4
20 (NS)	Label Martin® Product Small	32238	1
21 (NS)	Mounting Hardware Kit	35283	1
22 (NS)	Operator's Manual	M4062	1
23 (NS)	Rotation Direction Sensor Mount Kit	RGTMI-DS-WWMK6	Table II

**Figure 10. Martin® Roll Generator Assembly, P/N RGT MIDXP-XXXX1XX**

\* First XX indicates Belt Width. Last X indicates Standard (S) or Wide (W) Base.

\*\* First XX indicates Belt Width. Next XX indicates Troughing Angle (20) or (35). Last X indicates Rotation Direction Sensor Mount Kit (D) or Blank.

NS = Not Shown

**Table II. Martin® Roll Generator Part Numbers and Quantities for Assembly  
P/N RGT MIDXP-XXXX1XX**

Part No.	Part No. Item 6
RGTMID5P-XXXX1XX	TMIRD5-XXSP
RGTMID6P-XXXX1XX	TMIRD6-XXSP

Part No.	Part No. Item 12	Qty Item 23
RGTMID5P-XXXX1XP	RG1-010-0050-5P	0
RGTMID6P-XXXX1XP	RG1-010-0050-6P	0
RGTMID6P-XXXX1XPD	RG1-010-0050-6PD	1

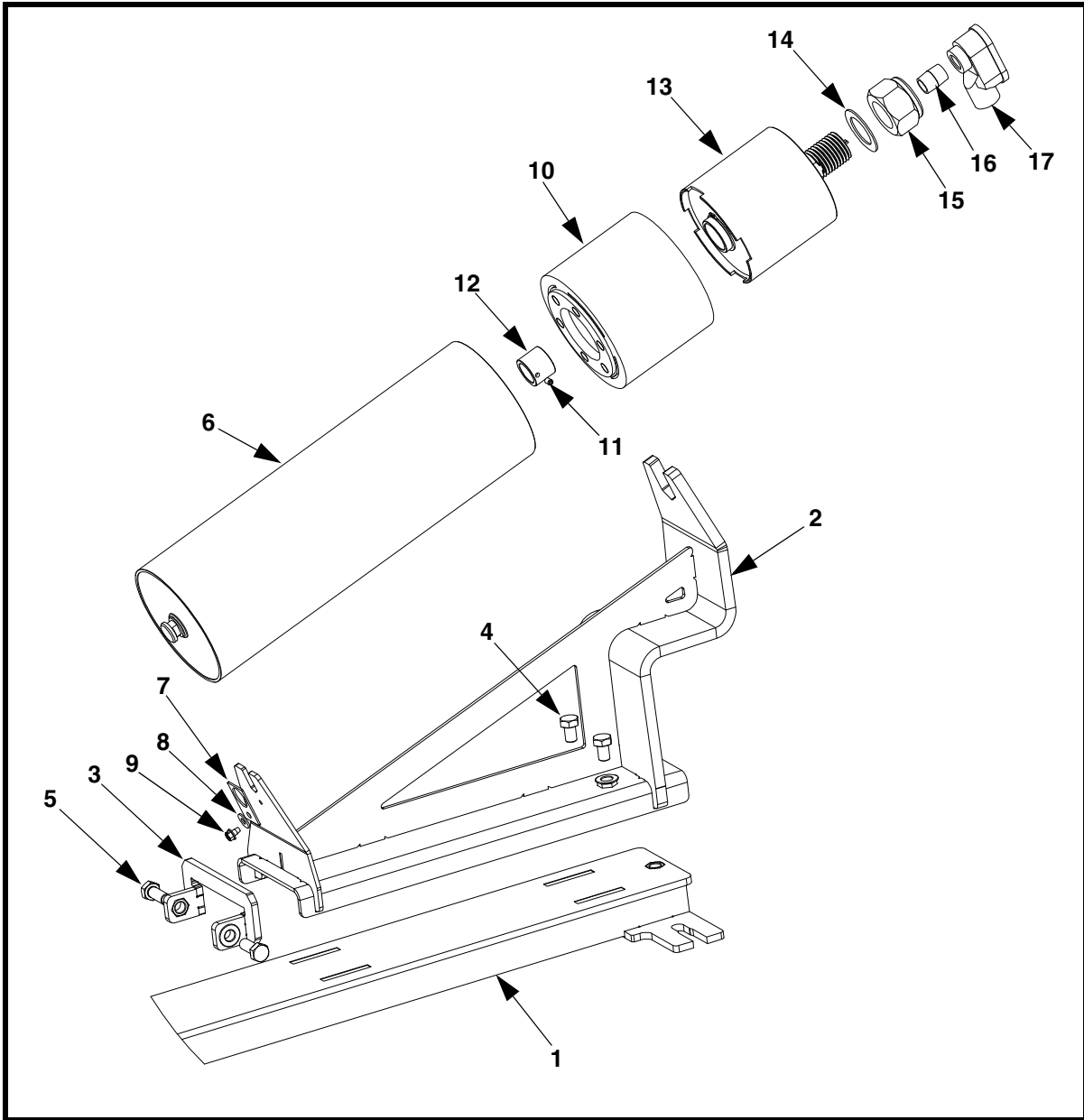


Figure 11. Martin® Roll Generator Assembly, P/N RGTMIEXP-XXXX1XX

Item	Description	Part no.	Qty
1	Plate Type Track Weldment	TMI2-TW-EXXX*	1
2	Wing Weldment	RGTMI-WW-EXXXSPX**	1
3	End Stop Weldment	RGTMI-ESW-E	1
4	Screw HHC 1/2-13NC x 3/4 SS	31294	2
5	Screw HHC 1/2-13NC x 1-1/4 SS	25463	2
6	Steel Roll	Table III	1
7	Tie Tab	TMI-TT-138P2	1
8	Washer Compression 5/16	11452	1
9	Screw HHC 5/16-18NC x 1/2 ZP	39450	1
10	Magnetic Drive Cog/Sleeve	Table III	1
11	Roll Generator Sub Assembly for PPI Rolls	RG1-010-5P	1
12	Shaft Washer SS	RG1-010-0032	1
13	Nut Elastic Lock M36 x 4.00 ZP	39400	1
14	Nipple Pipe 1/2-NPT SCH 40 x 12 Galv.	37140	1
15	Conduit Connector 90° 1/2	38256-S	1
16	TMI Foot Shim Plate .12 Thick	RGTMI-FS-XX-12	4
17	TMI Foot Shim Plate .18 Thick	RGTMI-FS-XX-18	4
18 (NS)	Label Martin® Product Small	32238	1
19 (NS)	Mounting Hardware Kit	35283	1
20 (NS)	Operator's Manual	M4062	1
21 (NS)	Rotation Direction Sensor Mount Kit	RGTMI-DS-WWMK6	Table III

**Figure 11. Martin® Roll Generator Assembly, P/N RGTMIEXP-XXXX1XX**

\* First XX indicates Belt Width. Last X indicates Standard (S) or Wide (W) Base.

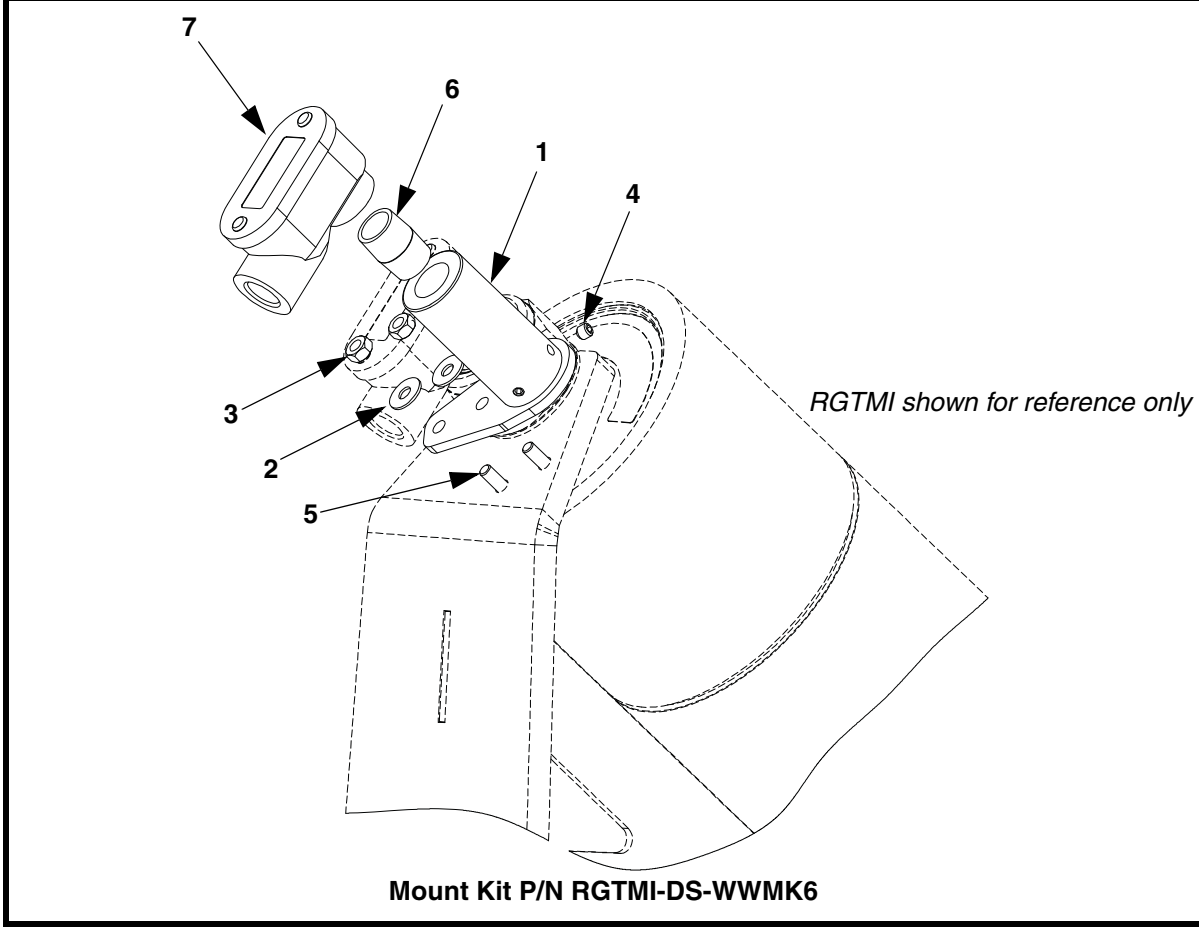
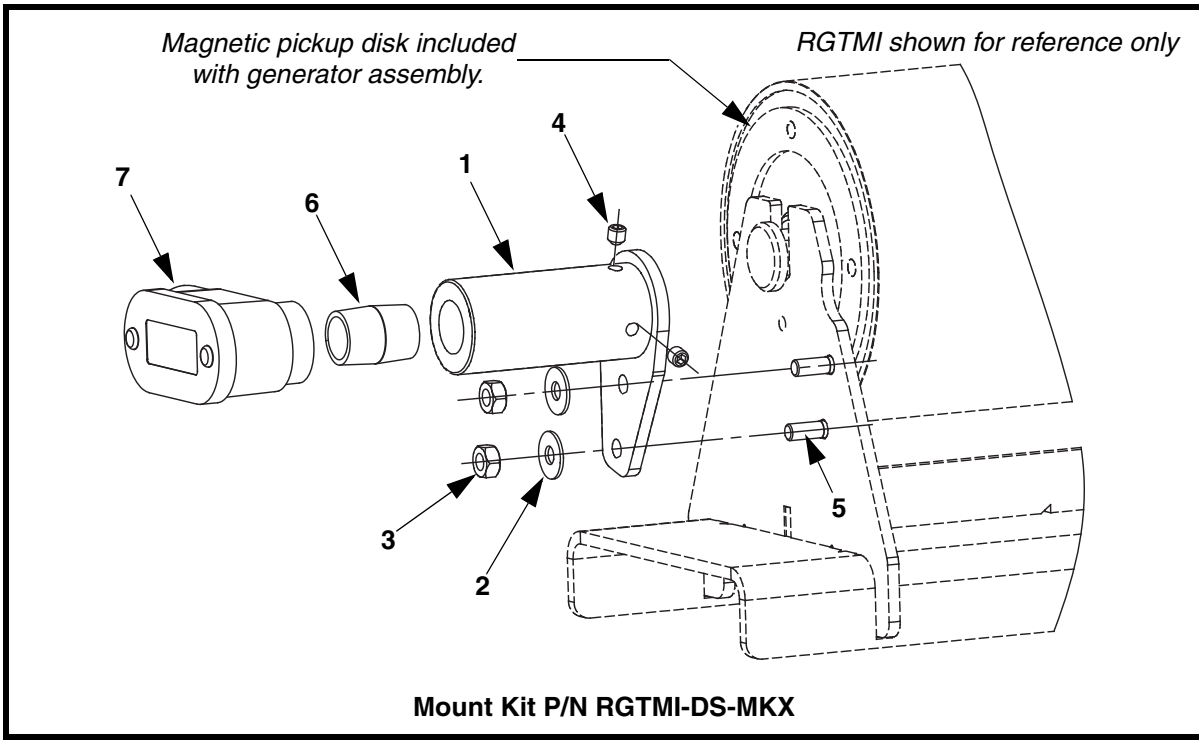
\*\* First XX indicates Belt Width. Next XX indicates Troughing Angle (20) or (35). Last X indicates Rotation Direction Sensor Mount Kit (D) or Blank.

NS = Not Shown

**Table III. Martin® Roll Generator Part Numbers and Quantities for Assembly P/N RGTMIEXP-XXXX1XX**

Part No.	Part No. Item 6
RGTMIE6P-XXXX1XX	TMIRE6-XXSP
RGTMIE7P-XXXX1XX	TMIRE7-XXSP

Part No.	Part No. Item 10	Qty Item 21
RGTMIE6P-XXXX1XP	RG1-010-0050-6P	0
RGTMIE7P-XXXX1XP	RG1-010-0050-7P	0
RGTMIE6P-XXXX1XPD	RG1-010-0050-6PD	1
RGTMIE7P-XXXX1XPD	RG1-010-0050-7PD	1



**Figure 12. Martin® Roll Generator Direction Sensor Mount Kit**

<b>Item</b>	<b>Description</b>	<b>Part no.</b>	<b>Qty</b>
1	Sensor Mount Weldment	RGTMI-DS-0010	1
2	Washer Compression 1/4	11521	2
3	Nut Hex 1/4-20NC ZP	11769	2
4	Screw Set Hex SOC CUP 1/4-20 x 1/4	13934	2
5	Screw SFCHC 1/4-20NC	Table IV	2
6	Nipple Pipe 1/2-NPT SCH 40 x 12 Galv.	37140	1
7	Conduit Elbow	Table IV	1

**Figure 12. Martin® Roll Generator Direction Sensor Mount Kit**

**Table IV. Martin® Roll Generator Direction Sensor Mount Kit Part Numbers**

<b>Part No.</b>	<b>Part No. Item 5</b>	<b>Part No. Item 7</b>
RGTMI-DS-MK5	30453	38256-S
RGTMI-DS-MK6	33552	39441
RGTMI-DS-WWMK6	33552	38256-S

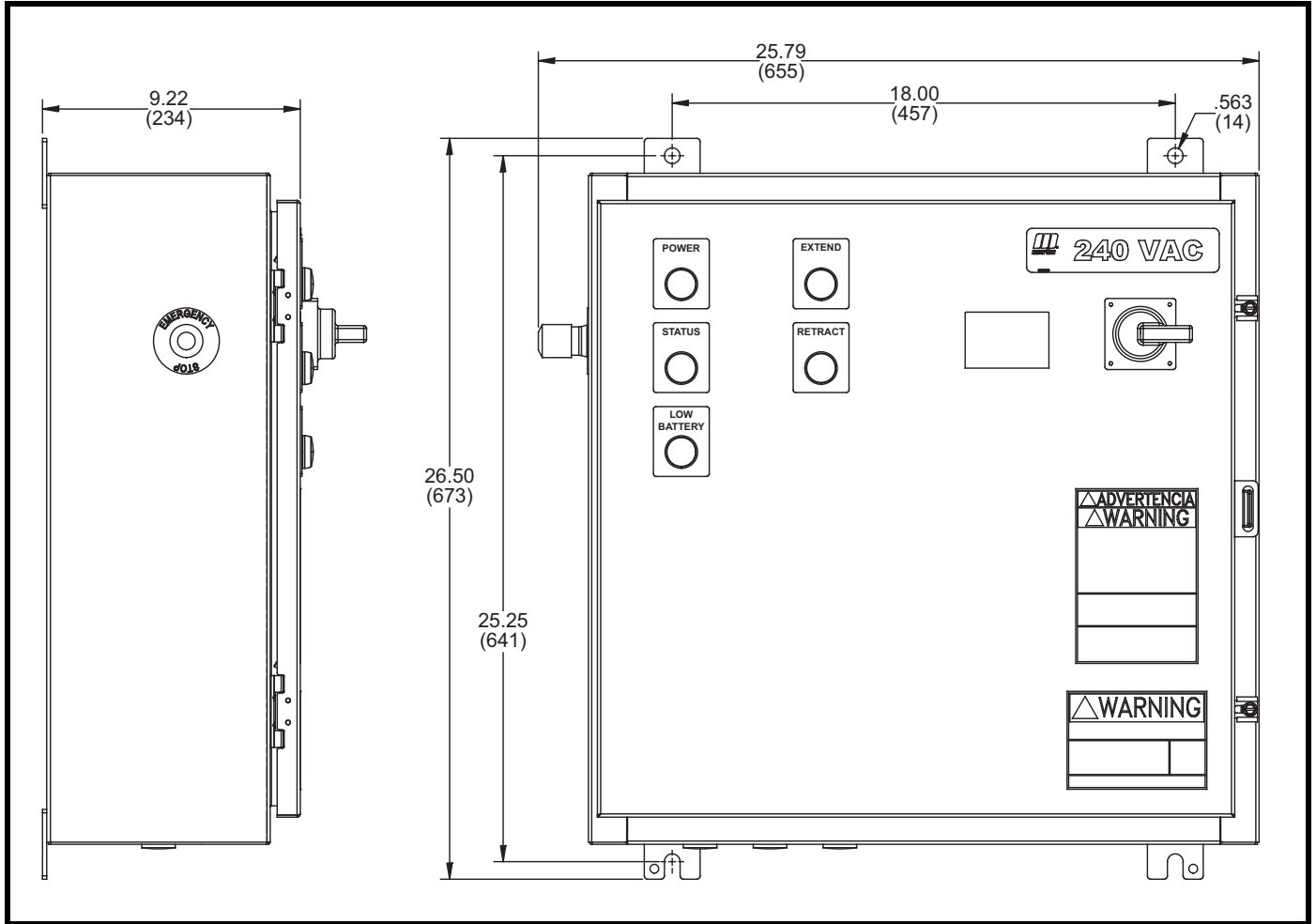


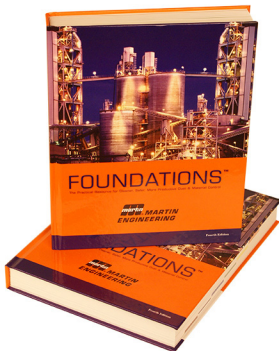
Figure 13. Martin® Tracker™ Reversing Control Panel, P/N 39464-XXX

Table V. Replacement Parts

Description		Part no.
Battery		39466-13
Fuses	4.5 Amp	CPBU-FNQ-R-4.5
	6 Amp	CPBU-FNQ-R-6

*Any product, process, or technology described here may be the subject of intellectual property rights reserved by Martin Engineering Company. Trademarks or service marks designated with the ® symbol are registered with the U.S. Patent and Trademark Office and may be proprietary in one or more countries or regions. Other trademarks and service marks belonging to Martin Engineering Company in the United States and/or other countries or regions may be designated with the “TM” and “SM” symbols. Brands, trademarks, and names of other parties, who may or may not be affiliated with, connected to, or endorsed by Martin Engineering Company, are identified wherever possible. Additional information regarding Martin Engineering Company’s intellectual property can be obtained at [www.martin-eng.com/trademarks](http://www.martin-eng.com/trademarks).*

# Problem Solved™ GUARANTEED!



*For nearly 20 years, Martin Engineering's Foundations™ Books have taught industry personnel to operate and maintain clean and safe belt conveyors. The Foundations™ Book, fourth edition, focuses on improving belt conveyors by controlling fugitive material. "The Practical Resource for Total Dust and Material Control," is a 576-page hard cover volume that provides information of value to industries where the efficient handling of bulk materials is a key to productivity and profitability.*

*Expanding upon the book, our Foundations™ Training Program addresses the design and development of more productive belt conveyors, and is offered in three customizable seminars. Attendees gain a better understanding of conveyor safety and performance, helping to justify upgrade investments and increase profitability.*



**Martin Engineering Australia Pty Ltd.**  
102 Christensen Road South  
Stapylton QLD 4207 - Australia  
+61 1300 627 364  
salesau@martin-eng.com | www.martin-eng.com.au

