

Martin® Tornado Air Cannon

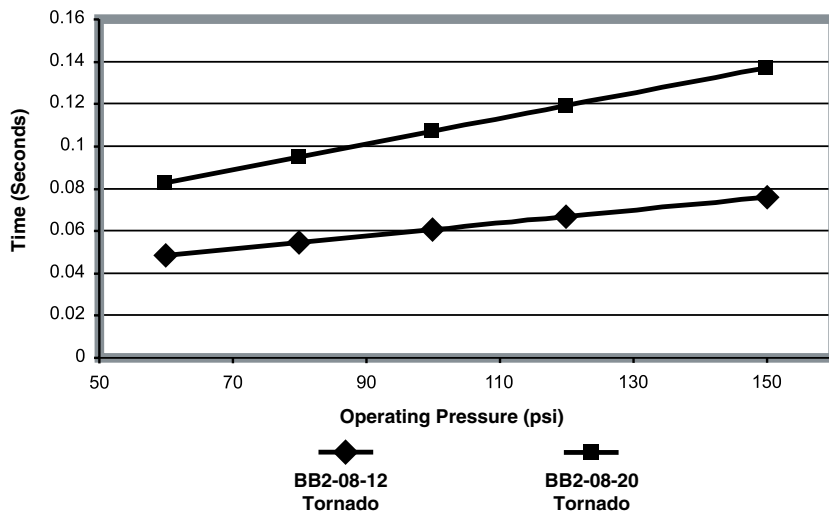


2-INCH VALVE

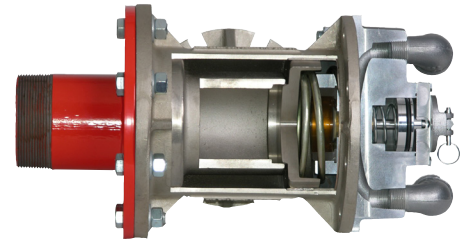
The [Martin® Tornado Air Cannon](#) produces better material flow with greater force, faster cycling, and improved safety. The Martin® Tornado Air Cannon fires when the exhaust valve opens in response to a positive surge of air sent by a tripped solenoid valve. This positive-acting valve amplifies the discharge force, up to 20% more force than a standard Martin® XHV Air Cannon of the same size.

PERFORMANCE DATA

Discharge Time



Martin® Tornado Exhaust Valve

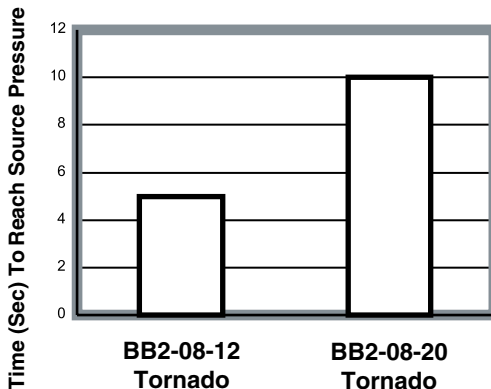


Unit shown as cutaway to show internal parts.

BENEFITS

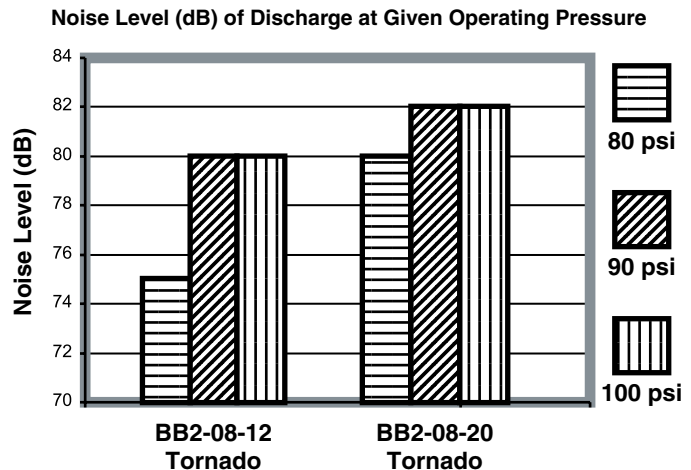
- Increased Safety
- Increased Force Output
- Suitable for High Temperatures
- Easy Installation and Maintenance
- Cycle Guarantee
- Faster Fill Times

Tank Fill Time*



* Data based on laboratory testing. Fill times may vary depending on air supply characteristics.

Noise Level

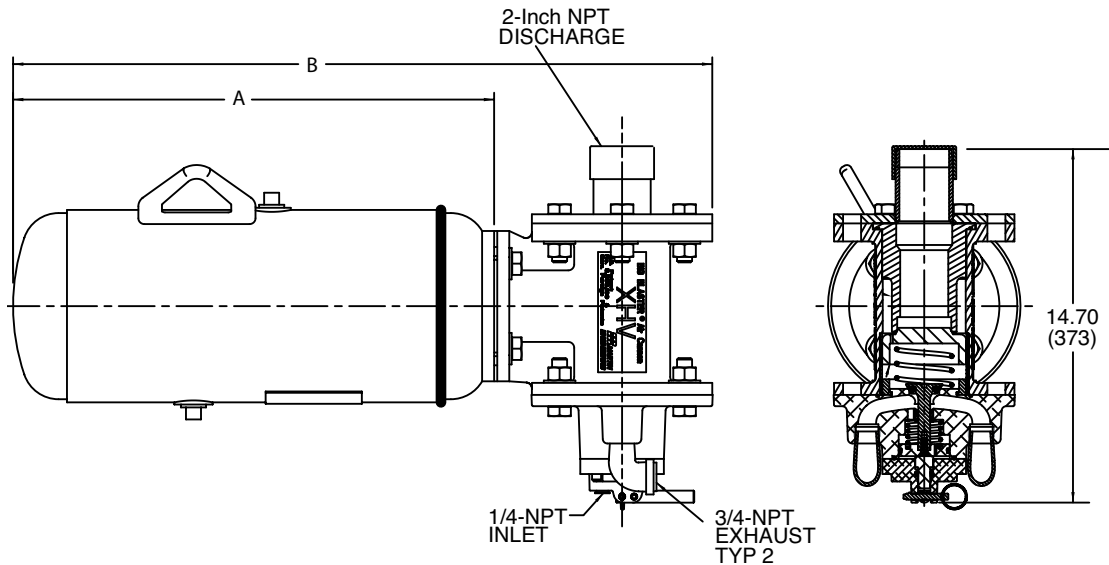


TECHNICAL DATA SHEET

DIMENSIONS

NPT—National Pipe Thread

Model	Assembly P/N	Dimensions		Ship WT. lbs (kg)	
		A	B		
BB2-08-12	37864-0812	12 (305)	21.07 (535)	50 (23)	
BB2-08-20	37864-0820	20 (508)	29.07 (738)	57 (26)	



AIR VOLUME IN FT³ (LITERS) FREE AIR

Air Pressure PSI	0812 Tank ft ³ (L)		0820 Tank ft ³ (L)	
0	0.3	(8)	0.5	(15)
40	1.1	(31)	1.9	(55)
50	1.3	(37)	2.3	(65)
60	1.5	(43)	2.6	(75)
70	1.7	(49)	3.0	(85)
75	1.8	(51)	3.2	(90)
80	1.9	(54)	3.3	(95)
85	2.0	(57)	3.5	(100)
90	2.1	(60)	3.7	(105)
95	2.2	(63)	3.9	(110)
100	2.3	(66)	4.1	(115)
110	2.5	(72)	4.4	(125)
120	2.7	(77)	4.8	(135)

NOTES

Tanks for Martin® Air Cannons supplied by Martin Engineering are manufactured to ASME Code Rules, Section VIII, Division 1. Tanks are National Board registered and pressure vessel quality (PVQ).

For further information, contact Martin Engineering at 1-800-544-2947 or visit our website at www.martin-eng.com.



Martin Engineering Australia Pty Ltd.
 102 Christensen Road South
 Stapylton QLD 4207 - Australia
 +61 1300 627 364
salesau@martin-eng.com | www.martin-eng.com.au



Problem Solved™ GUARANTEED!

Form No. L3723-06/12
 © Martin Engineering Company 2006, 2012