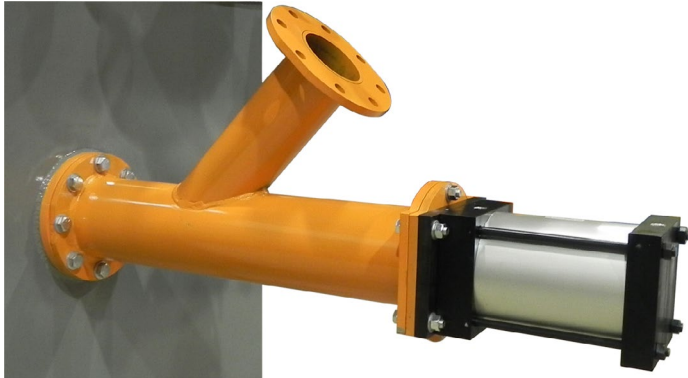


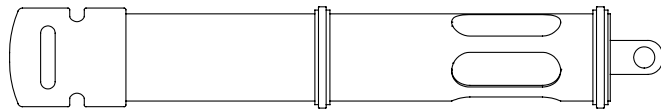
Martin® SMART™ Series Retractable Nozzle 360°



The [Martin® SMART™ Series Retractable Nozzle 360°](#) is used for hard to reach locations in cement towers and other high-temp applications. The 360 degree nozzle makes cleaning on the center of the wall possible. Servicable from the outside of the tower/vessel, so no waiting until the next scheduled outage for nozzle assembly replacement.

ORDER INFORMATION

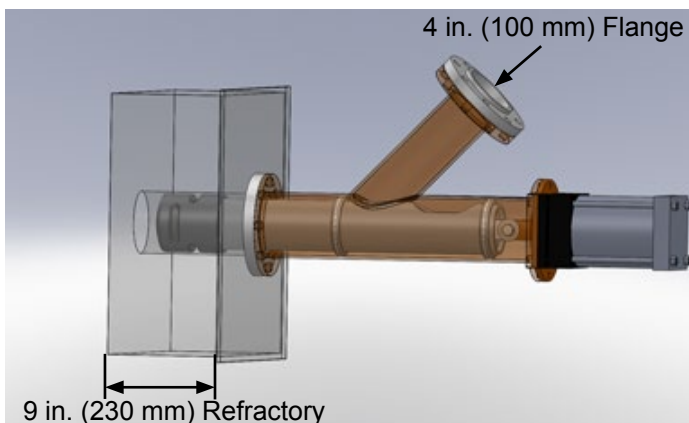
Retractable Nozzle Assembly	P/N 38984
Replacement Nozzle	P/N 38983-NW



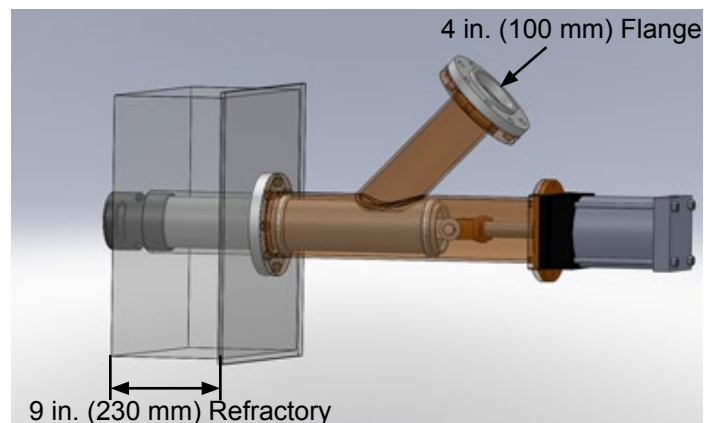
Replacement Nozzle

BENEFITS

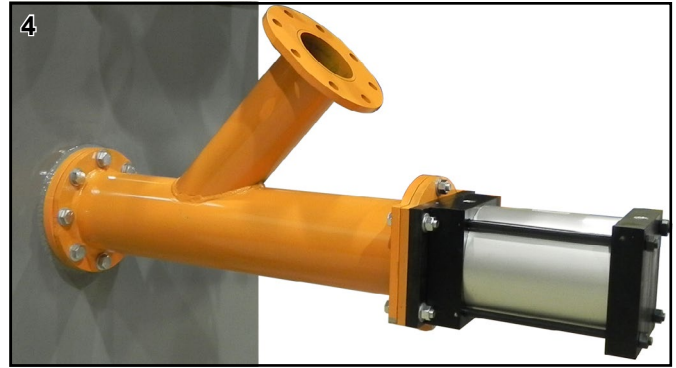
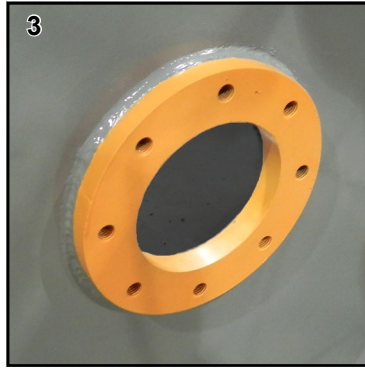
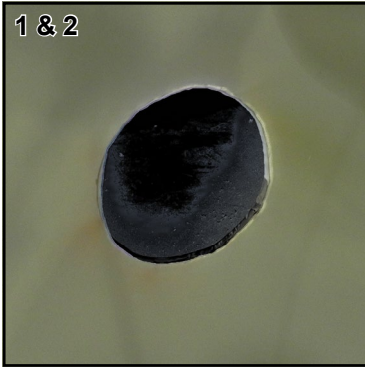
- 360 degree effective cleaning area.
- Nozzle extends to fire then retracts to protect exposed tip from extreme heat.
- Works with standard air cannons (150L Martin® Hurricane is recommended).
- 360 degree nozzle weldment is serviceable for the outside of the riser duct.
- Controlled by one solenoid (110 volt/ 220 volt/ 24 volt).
- Used in place of CO2 blasting.
- 360 degree nozzle is less aggressive than CO2 blasting, so it will not damage refractory.



Nozzle Retracted

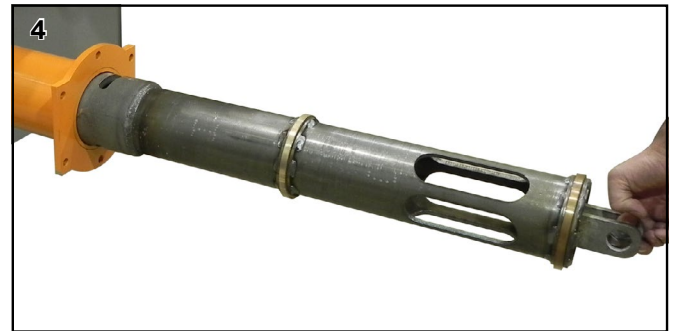
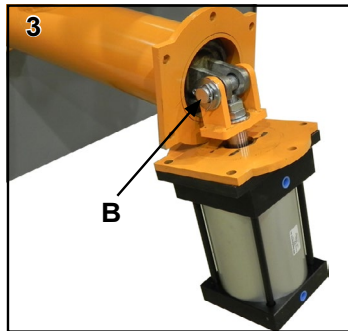
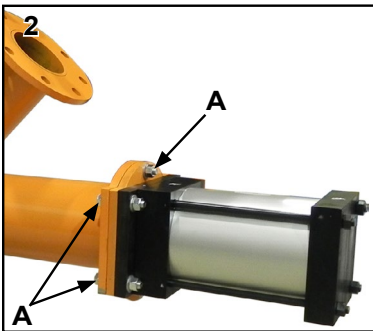


Nozzle Extended—6 in. (150 mm) Stroke



NOZZLE ASSEMBLY INSTALLATION

1. Cut 6 in. (150 mm) hole in vessel wall.
2. Core drill 6 in. (150 mm) hole through refractory.
3. Weld supplied flange to vessel wall.
4. Install retractable nozzle assembly onto flange using cap screws and compression washers.
5. Plumb air cylinder according to drawing S50098.



NOZZLE REPLACEMENT

1. Turn off and lock out/tag out energy source per local requirements.
2. Remove cap screws, washers, and nuts (A).
3. Lower air cylinder and remove pin (B).
4. Remove and replace nozzle.
5. Install pin (B) and air cylinder.
6. Install cap screws, washers, and nuts (A).



Martin Engineering Australia Pty Ltd.
102 Christensen Road South
Stapylton QLD 4207 - Australia
+61 1300 627 364
salesau@martin-eng.com | www.martin-eng.com.au

