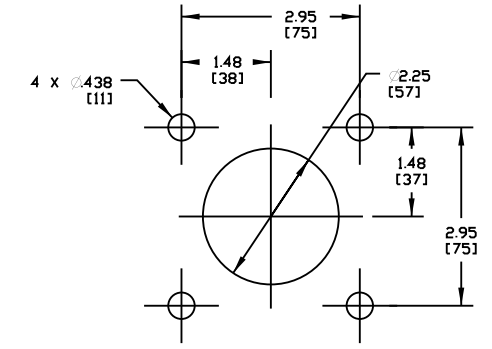
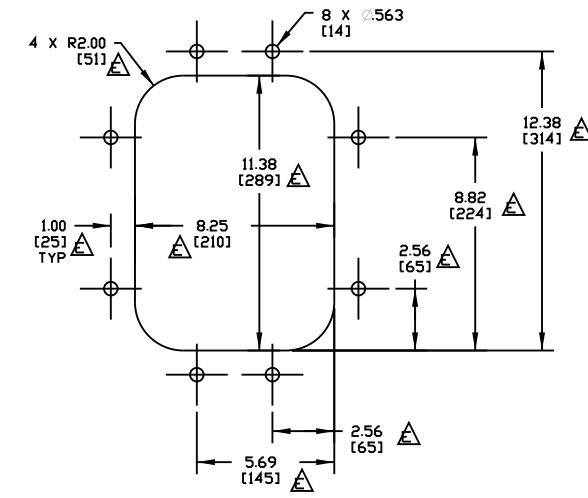


PART NO.	DIM "A" BLADE LENGTH	DIM "B" MNFRM LENGTH
PVIS-18XX12XXXX	12.00 [305]	48.00 [1219]
PVIS-18XX16XXXX	16.00 [406]	48.00 [1219]
PVIS-24XX18XXXX	18.00 [457]	54.00 [1372]
PVIS-24XX22XXXX	22.00 [559]	54.00 [1372]
PVIS-30XX24XXXX	24.00 [610]	60.00 [1524]
PVIS-30XX28XXXX	28.00 [711]	60.00 [1524]
PVIS-36XX30XXXX	30.00 [762]	66.00 [1676]
PVIS-36XX34XXXX	34.00 [864]	66.00 [1676]
PVIS-42XX36XXXX	36.00 [914]	72.00 [1829]
PVIS-42XX40XXXX	40.00 [1016]	72.00 [1829]
PVIS-48XX42XXXX	42.00 [1067]	78.00 [1981]
PVIS-48XX46XXXX	46.00 [1168]	78.00 [1981]
PVIS-54XX48XXXX	48.00 [1219]	84.00 [2134]
PVIS-54XX52XXXX	52.00 [1321]	84.00 [2134]
PVIS-60XX54XXXX	54.00 [1372]	90.00 [2286]
PVIS-60XX58XXXX	58.00 [1473]	90.00 [2286]
PVIS-66XX60XXXX	60.00 [1524]	96.00 [2438]
PVIS-72XX66XXXX	66.00 [1676]	102.00 [2591]
PVIS-72XX70XXXX	70.00 [1778]	102.00 [2591]

ASSEMBLY PART NO.	BLADE COLOR
PVIS-XXXXXXBRXX	BROWN
PVIS-XXXXXXCLXX	TAN
PVIS-XXXXXXGRXX	GREEN
PVIS-XXXXXXNBXX	NAVY BLUE
PVIS-XXXXXXDRXX	ORANGE



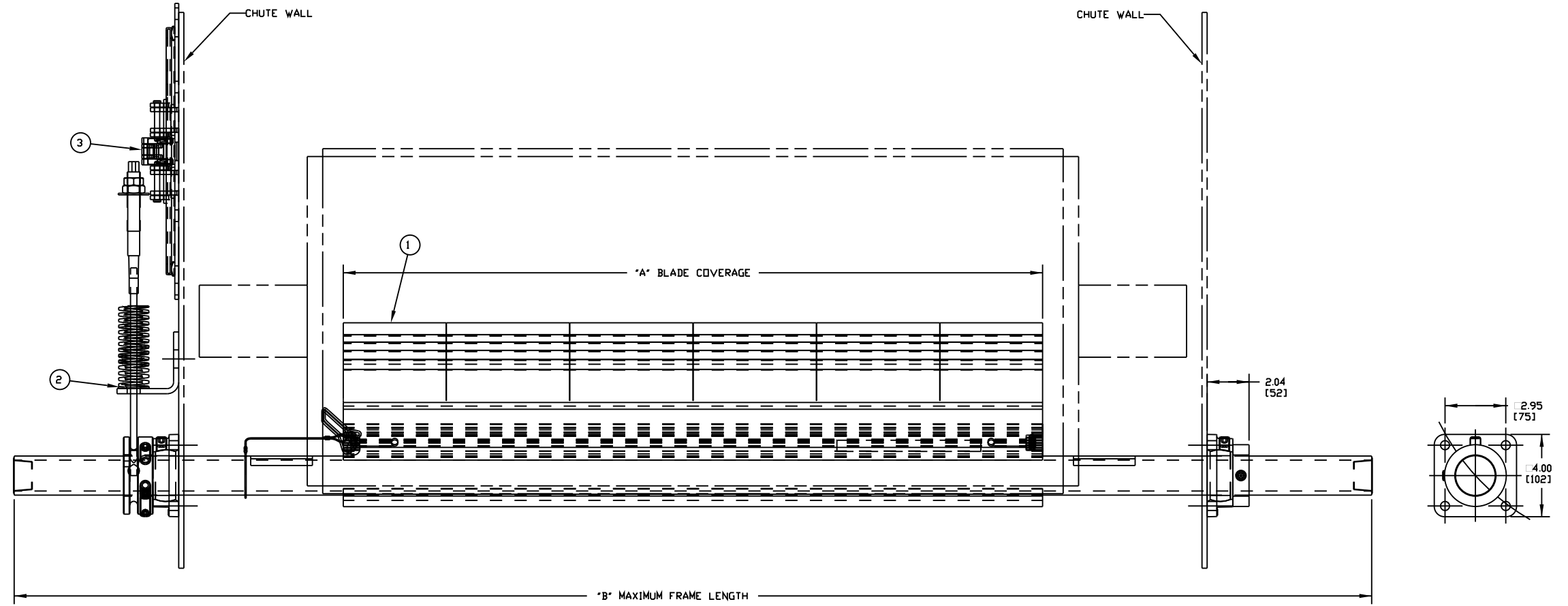
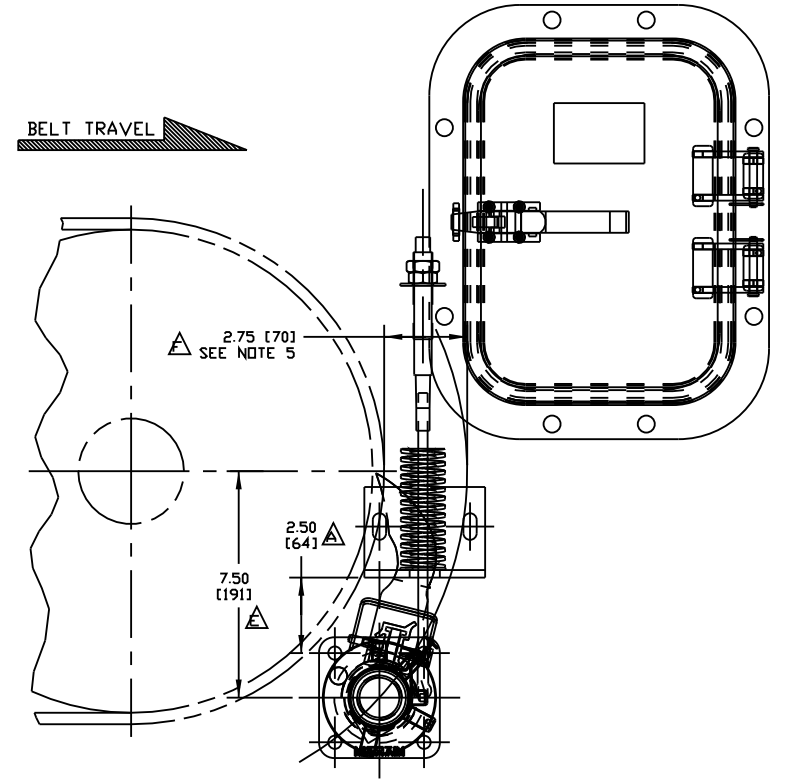
TENSIONER CHUTEWALL CUTOUT DETAIL  
(TYPICAL BOTH SIDES)  
SCALE 5/8



DOOR CUTOUT DETAIL  
SCALE 1/4

- NOTES:
- ALL DIMENSIONS ARE GIVEN IN INCHES [MM] AND ARE FOR REFERENCE ONLY.
  - WHERE EXTREME OR UNUSUAL CONDITIONS EXIST, OR SPECIAL MAINFRAME LENGTHS ARE REQUIRED, CONTACT MARTIN.
  - THE PVIS PRECLEANER BLADES ARE DESIGNED TO REMOVE HEAVY CARRYBACK ONLY. DO NOT OVERTENSION.
  - BLADE COVERAGE WILL BE LESS THAN BELT WIDTH DUE TO POSSIBLE MISTRACKING OR DAMAGED EDGES OF BELT. CLEANER CAN BE LOCATED ANYWHERE ALONG THE 2.75 [70] ARC AS LONG AS THE BLADE TIP IS BELOW THE HORIZONTAL CENTERLINE. THE CLEANER IS SHOWN IN THE RECOMMENDED POSITION.
  - TENSIONER ASSEMBLY MAY BE BOLTED OR WELDED IN PLACE FOR EASIER MAINTENANCE AND ACCESSIBILITY.
  - REFER TO OPERATOR'S MANUAL'S M3734 & M3735, FOR INSTALLATION AND TENSIONING INSTRUCTIONS.
  - IN THE P/N:  
THE PVIS INDICATES A STANDARD DUTY PRE-CLEANER.  
THE FIRST TWO XX'S INDICATE BELT WIDTH.  
THE NEXT TWO XX'S INDICATE THE BLADE TYPE:  
11 = SOLID BLADE  
10 = SEGMENTED BLADE  
THE NEXT TWO XX'S INDICATE THE BLADE COVERAGE:  
00 = NO BLADE  
THE NEXT TWO XX'S INDICATE THE BLADE URETHANE TYPE:  
00 = NO BLADE  
BR = BROWN BLADE  
CL = TAN BLADE  
GR = GREEN BLADE  
NB = NAVY BLUE BLADE  
DR = ORANGE BLADE  
THE NEXT X INDICATES THE MAINFRAME TYPE:  
0 = NO MAINFRAME.  
P = STANDARD PAINTED MAINFRAME.  
THE LAST X INDICATES THE ACCESSORY OPTIONS:  
0 = NO OPTIONS.  
C = WITH SPRING CABLE TENSIONER.

ITEM	QTY.	DESCRIPTION	PART NUMBER
1	1	MARTIN® PIT VIPER PRE-CLEANER ASM	PVIS-XXXXXXXXXX
2	1	MARTIN® SPRING CABLE TENS ASM	37944
3	1	MARTIN® LOW PROFILE STL DOOR 9X12	CYA-0912



PVIS-36XX34XXXX SHOWN

NO.	DESCRIPTION	ECN	DATE	BY	SALES DRAWING						
G	CHGD DIM FROM 2.75-3.00 TO 2.75 IN ARC AND IN NOTE / ADDED P/N PVIS-60XX54XXXX, -60XX58XXXX, -66XX60XXXX, -72XX66XXXX & -72XX70XXXX TO CHART	14530	04/08/16	JAM	 MARTIN ENGINEERING NEPONSET, IL USA						
F	CHGD DIM FROM 3.00 TO 2.75-3.00 IN ARC AND IN NOTE	14166	03/05/15	JAM							
E	CHGD P/N FROM 34925-0912 TO CYA-0912 IN BOM/CHGD DIM FROM 7.00 TO 7.50, 4 x R181 TO 4 x R200, .75 TO 1.00, 2.81 TO 2.56, 5.94 TO 5.69, 8.75 TO 8.25, 11.88 TO 11.38, 2.82 TO 2.56, 5.07 TO 5.82 & 12.63 TO 12.38	12568	02/12/09	MJB							
D	ADDED -48 & -54 SIZES TO CHART	----	03/04/08	JAP							
C	ADDED P/N PVIS-XXXXXXBRXX & PVIS-XXXXXXGRXX TO THE CHART/ADDED BROWN AND GREEN BLADES TO NOTE (PR10654)	----	08/24/07	MJB							
B	ADDED OPTION TO SEGMENT BLADE / UPDATED NOTES / CHGD P/N'S FROM PVIS-XXXXXX TO PVIS-XXXXXXXXXX (PR10672)	----	02/07/07	RND							
A	CHGD DIM FROM 3.50 TO 2.50	11800	11/22/06	MJB							
NO. DESCRIPTION ECN DATE BY SALES DRAWING					<table border="1"> <tr><td>REVISED</td><td>DATE</td><td>BY</td></tr> <tr><td> </td><td> </td><td> </td></tr> </table>	REVISED	DATE	BY			
REVISED	DATE	BY									
PRI0440					S50040						
APPROVED JAM					DATE 08/31/06						
SCALE 5/16					CHECKED JLD						
DRAWN RND					DATE 08/17/06						

