

EVO® Return Roller



The [EVO® Return Roller](#) is a pivoting track-mounted return idler that allows for safe, quick, and simple one-sided serviceability and roll replacement.

The track-mounted design reduces the risk of injury and allows replacement of the roll in a matter of seconds.

NOMENCLATURE **UCRR-007000-XX X***

P/N Prefix _____
 Belt Width _____
 Stringer _____

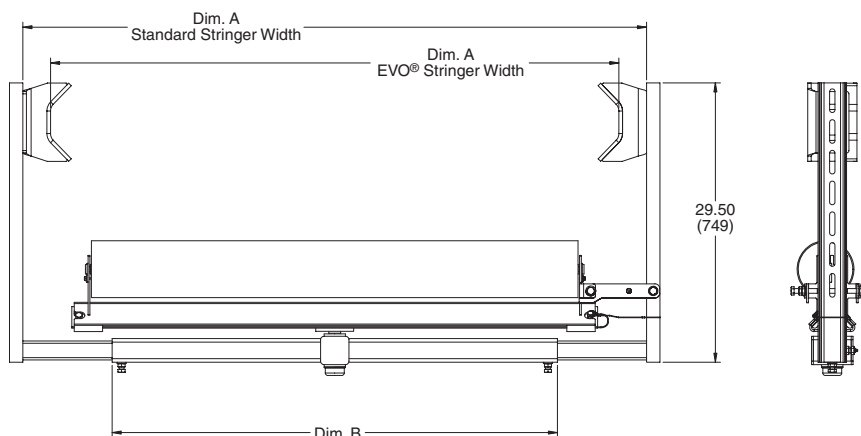
DIMENSIONS – in. (mm)

Part Number	Dim. A in. (mm)	Dim. B in. (mm)
UCRR-007000-24X	36 (914)	29 (737)
UCRR-007000-36X	48 (1219)	37 (940)
UCRR-007000-42X	54 (1372)	43 (1092)
UCRR-007000-48X	60 (1524)	47 (1194)
UCRR-007000-54X	66 (1676)	55 (1397)
UCRR-007000-60X	72 (1829)	51 (1295)
UCRR-007000-72X	84 (2134)	61 (1549)

STRINGER

- E: EVO® Stringer
- S: Standard Stringer

*Add an (F) at the end of the part number for frame only (no roll included).



Martin Engineering USA
 One Martin Place
 Neponset, IL 61345-9766 USA
 800 544 2947 or 309 852 2384
 Fax 800 814 1553
 www.martin-eng.com

**COMPANY WITH
 QUALITY SYSTEM
 CERTIFIED BY DNV
 = ISO 9001:2008 =**