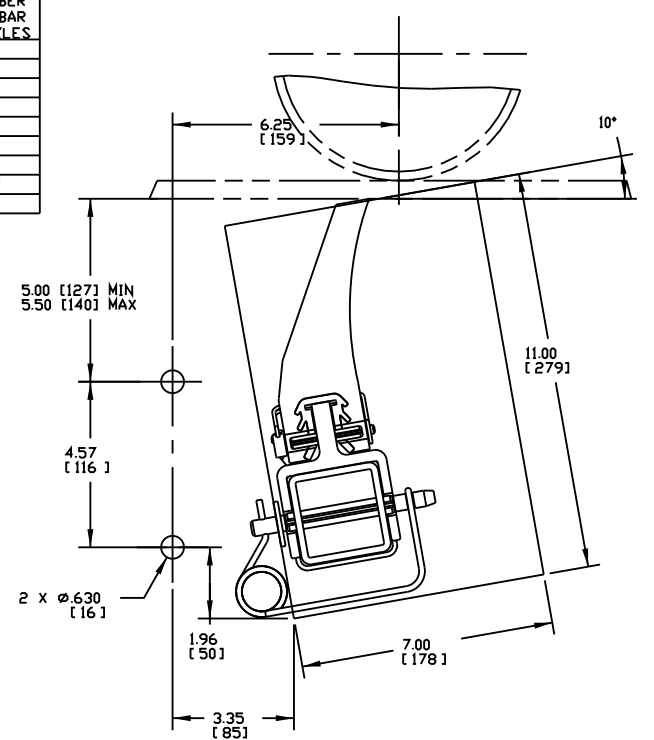
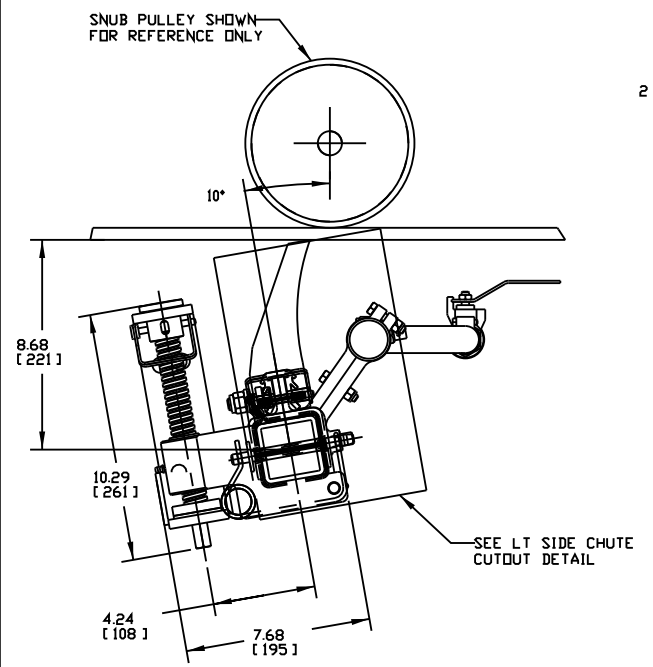
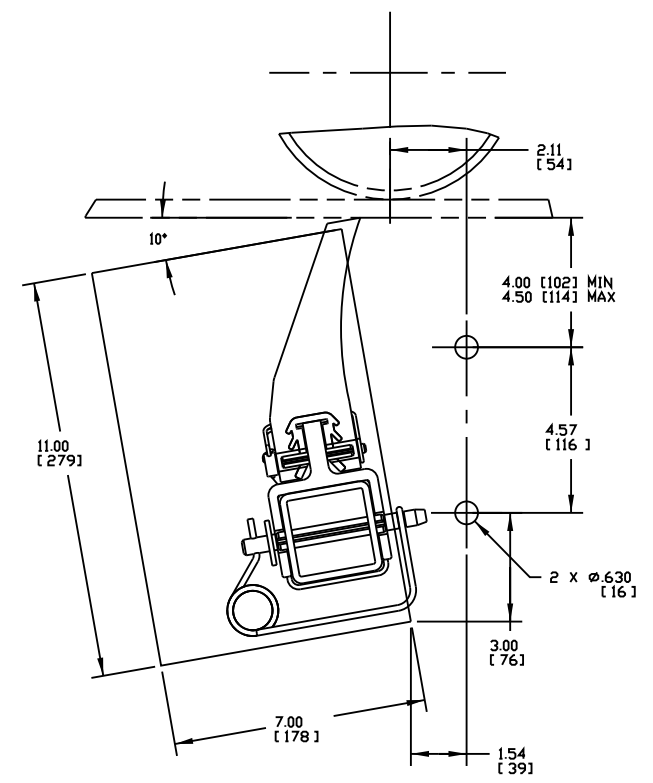


ITEM	QTY.	DESCRIPTION	PART NUMBER
1	1	H2D4000 TERTIARY CLEANER ASM	SEE CHART
2	1	WATER SPRAY BAR KIT	34879-XXXX

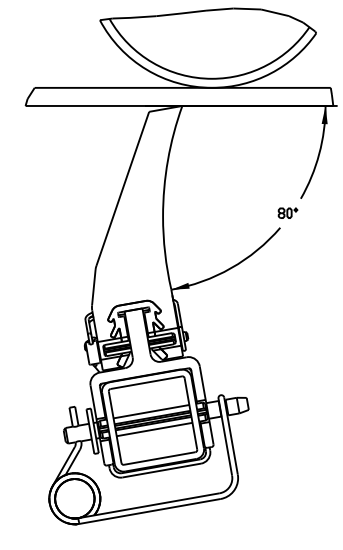
PART NO.	DIM "A"	DIM "B"	DIM "C"	NUMBER SP BAR NOZZLES
H2D4000S-18XX	16.00 [406]	66.00 [1676]	26.50 [673]	2
H2D4000S-24XX	22.00 [559]	72.00 [1829]	32.50 [826]	3
H2D4000S-30XX	28.00 [711]	78.00 [1981]	38.50 [978]	3
H2D4000S-36XX	34.00 [864]	84.00 [2134]	44.50 [1130]	4
H2D4000S-42XX	40.00 [1016]	90.00 [2286]	50.50 [1283]	5
H2D4000S-48XX	46.00 [1168]	96.00 [2438]	56.50 [1435]	6
H2D4000S-54XX	52.00 [1321]	102.00 [2591]	62.50 [1588]	6
H2D4000S-60XX	58.00 [1473]	108.00 [2743]	68.50 [1740]	7
H2D4000S-66XX	64.00 [1626]	114.00 [2896]	74.50 [1892]	8



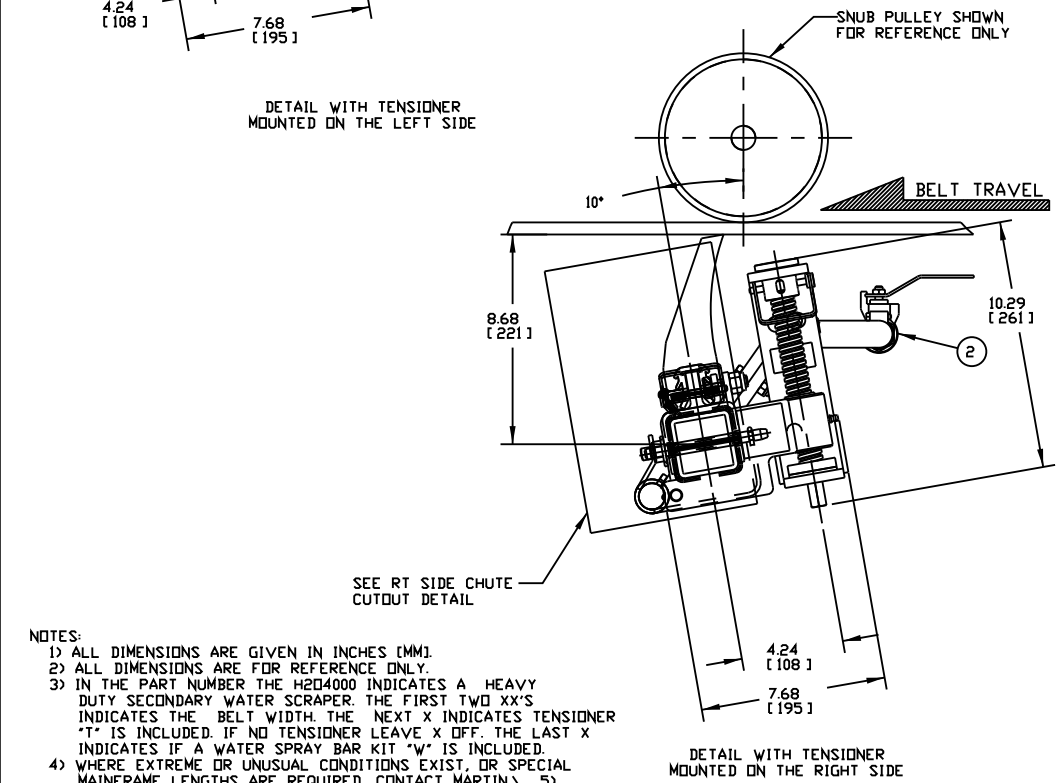
CHUTE CUTOUT DETAIL WITH TENSIONER MOUNTED ON THE LEFT SIDE SEE NOTE 10 SCALE 3/8



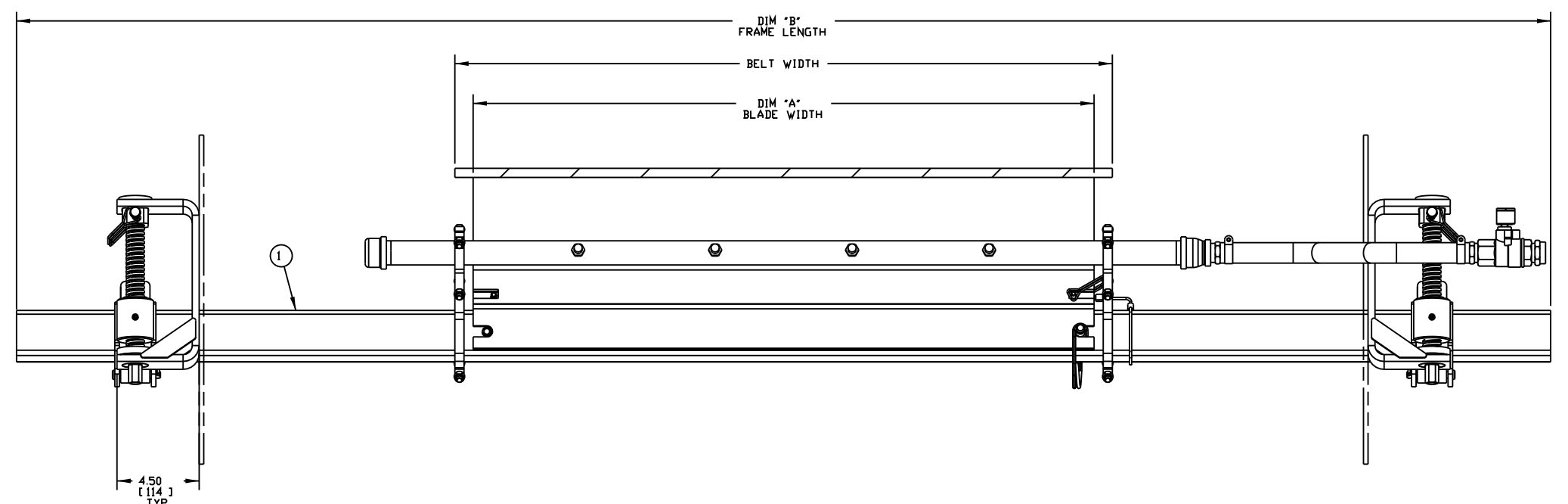
CHUTE CUTOUT DETAIL WITH TENSIONER MOUNTED ON THE RIGHT SIDE SEE NOTE 10 SCALE 3/8



CLEANER INSTALLATION DETAIL SCALE 3/8



DETAIL WITH TENSIONER MOUNTED ON THE RIGHT SIDE



- NOTES:
- 1) ALL DIMENSIONS ARE GIVEN IN INCHES [MM].
  - 2) ALL DIMENSIONS ARE FOR REFERENCE ONLY.
  - 3) IN THE PART NUMBER THE H2D4000 INDICATES A HEAVY DUTY SECONDARY WATER SCRAPER. THE FIRST TWO XX'S INDICATES THE BELT WIDTH. THE NEXT X INDICATES TENSIONER "T" IS INCLUDED. IF NO TENSIONER LEAVE X OFF. THE LAST X INDICATES IF A WATER SPRAY BAR KIT "W" IS INCLUDED.
  - 4) WHERE EXTREME OR UNUSUAL CONDITIONS EXIST, OR SPECIAL MAINFRAME LENGTHS ARE REQUIRED, CONTACT MARTIN.
  - 5) TENSIONER ASSEMBLY MAY BE BOLTED OR WELDED IN PLACE. MARTIN ENGINEERING RECOMMENDS BOLTING WHEN APPLICABLE FOR EASIER MAINTENANCE AND ACCESSIBILITY.
  - 6) REFER TO OPERATOR'S MANUAL M3825, FOR INSTALLATION AND TENSIONING INSTRUCTIONS.
  - 7) DUE TO STRUCTURAL TOLERANCES IN THE FIELD, DIMENSIONS AND LOCATIONS MAY VARY.
  - 8) LOCATE AND DRILL HOLES FOR TENSIONER BEFORE LOCATING ACCESS WINDOW. NOTE TENSIONER LT/RT MOUNTING DIRECTION.

Copyright 2011 Martin Engineering. All rights reserved. Covered by U.S. and foreign patents pending and issued. R and TM indicate trademarks of Martin Engineering.

**MARTIN ENGINEERING** NEPONSET ILLINOIS USA

TITLE: H2D4000 TERTIARY CLNR ASM W/TENSIONER

DRAWN: MJB DATE: 02/07/11

CHECKED: JAP DATE: 02/07/11

APPROVED: DM DATE: 02/07/11

SCALE: 1/4

SALES DRAWING S50082

REV. NO. DESCRIPTION ECN DATE BY

